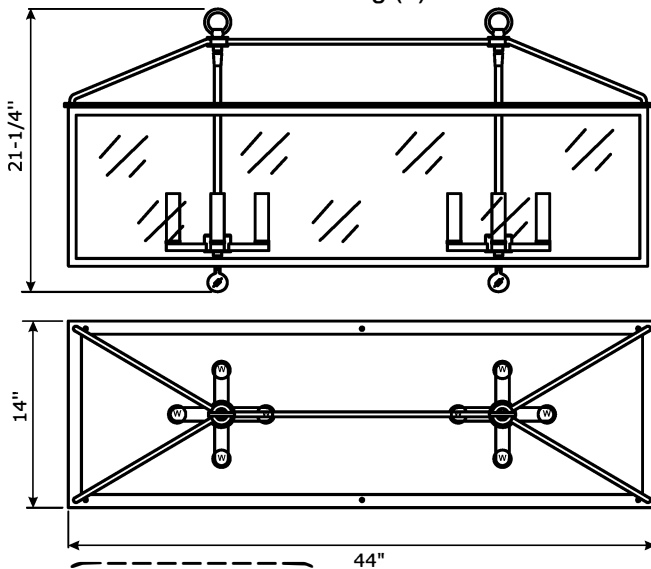


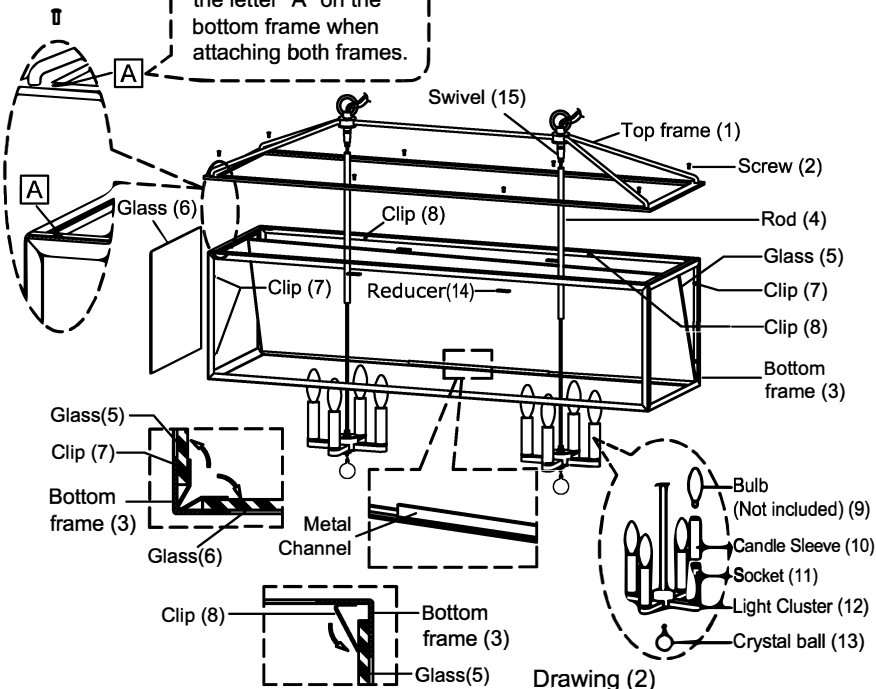
ASSEMBLY INSTRUCTION MODEL#EDC909BKGA

Drawing (1)

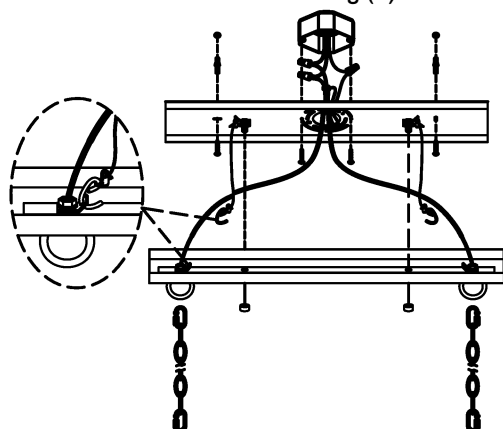


NOTICE:

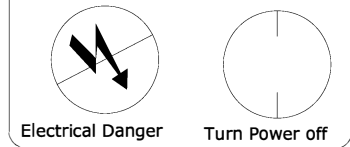
Please make sure the letter "A" on the top frame is lined up with the letter "A" on the bottom frame when attaching both frames.



Drawing (2)



WARNING:



All electrical components must be installed by a licensed electrician in accordance with the National Electric Code and the appropriate local electrical codes.

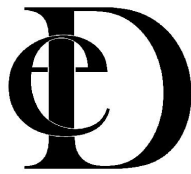


You will need 8- Candelabra
40 Watts Recommended 60 Watts Max.
USE LED BULBS FOR EXTENDED USE
THIS FIXTURE IS DRY RATED

How to install for hanging:

- Slide Glass (5) into the metal channel of the Bottom Frame (3) from the bottom opening, then bend glass Clip (7) and Clip (8). NOTE: TWO PEOPLE ARE RECOMMENDED FOR INSTALLING THE GLASS.
- Slide Glass (6) into the Bottom Frame (3) and bend glass Clip (7).
- Attach the Top Frame (1) onto the Bottom Frame (3), then secure it by four Screws (2) on the corners. Notice: Please make sure the letter "A" on the top frame is lined up with the letter "A" on the bottom frame when attaching both frames.
- Put the reducer (14) inside the top of the frame and insert the screw (2) through the hole of the frame into the reducer. Tighten the screws with screwdriver.
- Have the fixture wire pass through the Rod (4) and the swivel (15), and then attach the rods to the Light Cluster (12). Attach the Light Cluster assembly to the Swivel (15) on the top of the frame.
- Place the Candle Sleeve (10) over the Socket (11) then Install the bulb (9) to the Socket (11).
- Measure the distance between two mounting holes on the mounting plate and drill the two holes in the ceiling surface based on that distance. Insert the plastic anchors into the holes.
- Place the mounting plate over Junction box securing it with the machine screw. For extra security, insert the wood screws into the plastic anchors pre-buried in the wall and tighten it.
- Raise the Frame (1) to the ceiling and hook the safety cable onto the Canopy. Now the Lighting Fixture is supported by the safety cable.
- After the wires are connected as illustrated on Drawing (2), Secure canopy onto the mounting plate, using the metal nuts.
- Hook the Crystal Ball to the bottom of the Light Cluster (12).

WARNING: This product can expose you to Lead which is known to the state of California to cause cancer and/or birth defects or reproductive harm. For more information go to www.P65Warnings.ca.gov



ASSEMBLY INSTRUCTION MODEL#EDC909BKGA

Part Number

Part Numbers

- A. (1)-Mounting hardware
- B. (2)-Safety Cable
- C. (1)-Canopy; W4.75"x H25.5" (XFW9909BKGACAN25.5IN)
- D. (4)-Loop
- E. (2)-Metal Nut (XFW9909BKGANUT)
- F. (4)-Link
- G. (2)-Chain; W4.2mm (XFW9905BKGACHA4.2MM)
- H. (1)-Top Frame
- I. (8)-Screws
- J. (2)-Rod; W0.48"x H12.6" (XFW9909ROD12.6IN)
- K. (4)-Reducer
- L. (2)-Glass; W42.8"x H11.34"(XFW9909GLA42.8IN)
- M. (1)-Bottom Frame
- N. (2)-Glass; W12.68"x H11.34"(XFW9909GLA12.68IN)
- O. (8)-Candle Sleeve; W1"x H3.74"(XFW9905BKGACDL3.74IN)
- P. (1)-Light Cluster
- Q. (2)-Crystal Ball; W1.45"x H2.64"(XFW9900CRYBALL)

