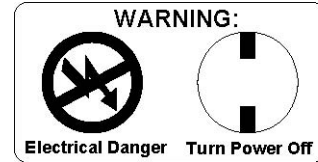
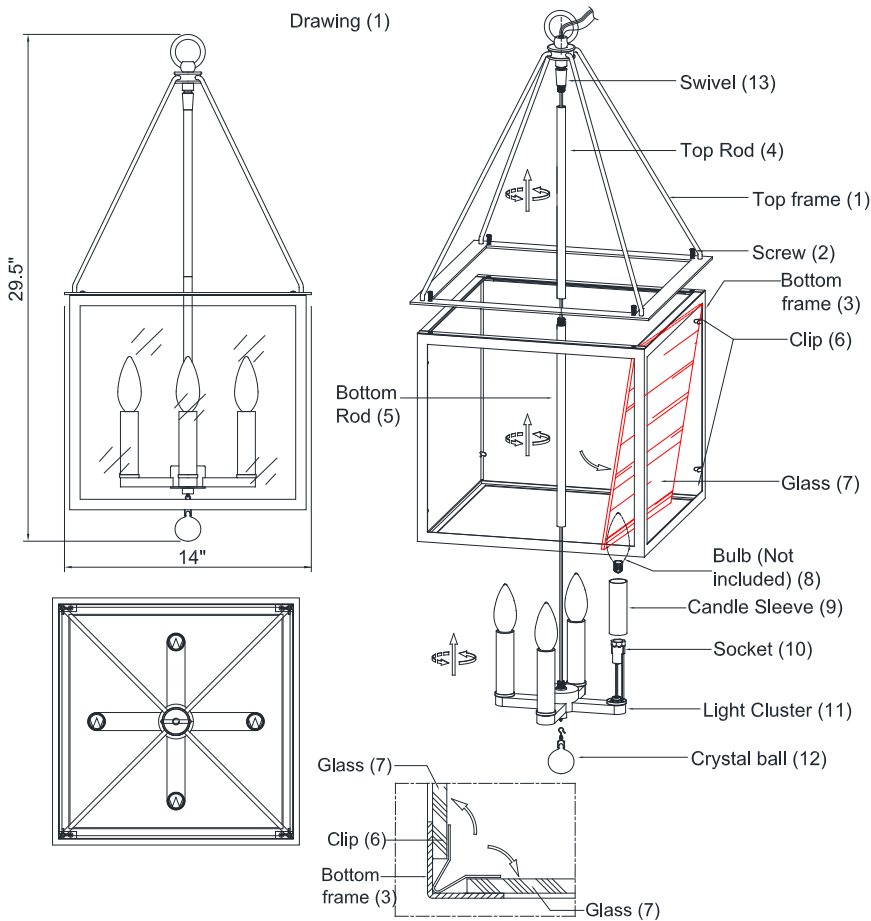


ASSEMBLY INSTRUCTION MODEL# EDC905BKGA



All electrical components must be installed by a licensed electrician in accordance with the National Electric Code and the appropriate local electrical codes.



**You will need 4-Candelabra
40 Watts Recommended 60 Watts Max
USE LED BULBS FOR EXTENDED USE**

How to Install:

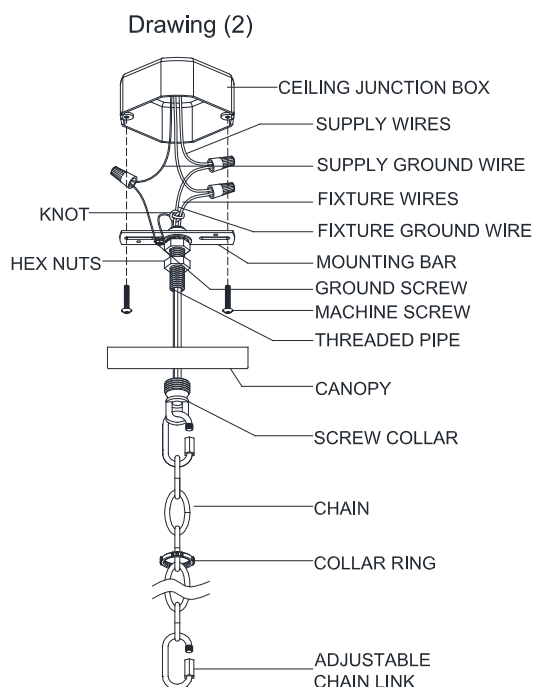
- Slide Glass (7) into the Bottom Frame (3) and bend glass Clip (6).
- Place the Candle Sleeve (9) over the Socket (10), then Install the bulb (8) to the Socket (10).
- Attach the Top Frame (1) onto the Bottom Frame (3), then secure it by turning the Screw (2) until tight.
- Have the fixture wire pass through the Top Rod (4) and Bottom Rod (5), and then attach the rods to the Light Cluster (11). Take the Light Cluster assembly and attach it to the Swivel (13) on the top of the frame.
- The canopy of the fixture can now be mounted to the ceiling by following instruction **Drawing 2**.
- Hook the Crystal Ball (12) to the bottom of the Light Cluster (11).

Replacement Glass installation:

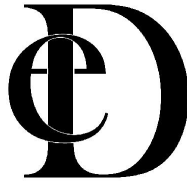
- Follow instructions # 1 above to install new glass.

Bulb replacement:

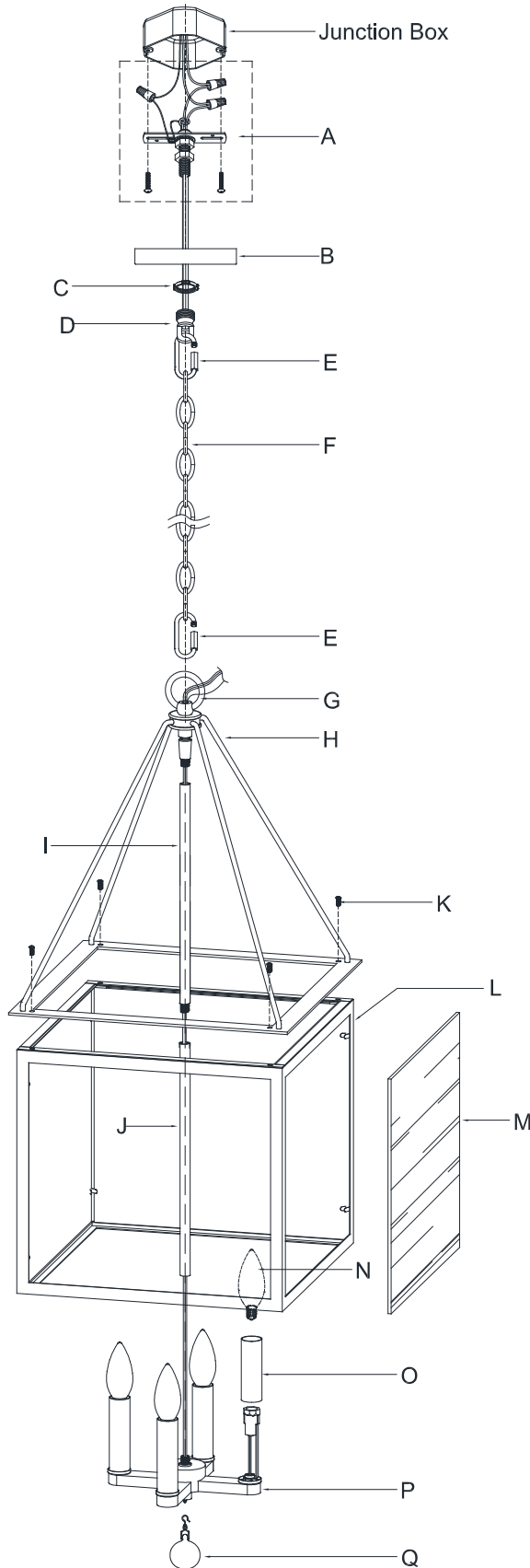
- Install the Bulb (8) into the Socket (10).



WARNING: This product can expose you to lead, which is known to the state of California to cause cancer and / or birth defects or reproductive harm. For more information go to www.P65warnings.ca.gov



ASSEMBLY INSTRUCTION MODEL# EDC905BKGA



Part Number

Part Numbers

- A. (1) Mounting Hardware
- B. (1) Canopy; w5" x h0.75" (XFW9905BKGACAN5IN)
- C. (1) Collar Ring
- D. (1) Collar Loop
- E. (2) Link
- F. (1) Chain ; w4.2mm (XFW9905BKGACHA4.2MM)
- G. (1) Loop
- H. (1) Top Frame
- I. (1) Top Rod; w0.48" x h10.5" (XFW9905TOPROD10.5IN)
- J. (1) Bottom Rod; w0.48" x h10.5" (XFW9905BOTROD10.5IN)
- K. (4) Screws
- L. (1) Bottom Frame
- M. (4) Glass; w11.7" x h12.6" (XFW9905GLA12.6IN)
- N. (4) Bulbs (Not Included)
- O. (4) Candle Sleeve; w1" x h3.74" (XFW9905BKGACDL3.74IN)
- P. (1) Light Cluster
- Q. (1) Crystal Ball; w1.45" x h2.64" (XFW9900CRYBALL)