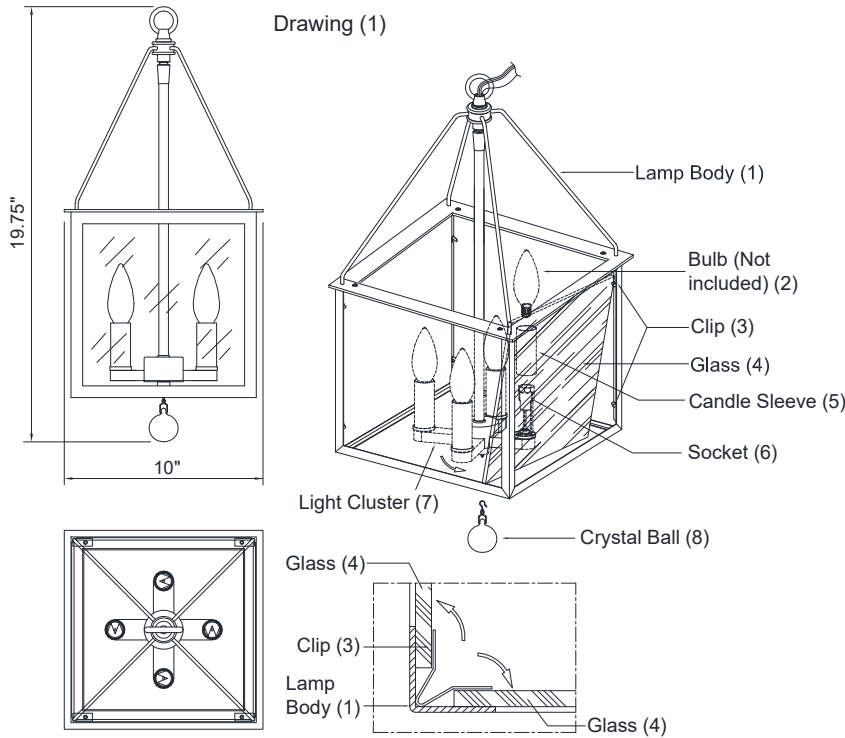


ASSEMBLY INSTRUCTION MODEL# EDC903PN



All electrical components must be installed by a licensed electrician in accordance with the National Electric Code and the appropriate local electrical codes.



You will need 4-Candelabra
40 Watts Recommended 60 Watts Max
USE LED BULBS FOR EXTENDED USE

How to Install:

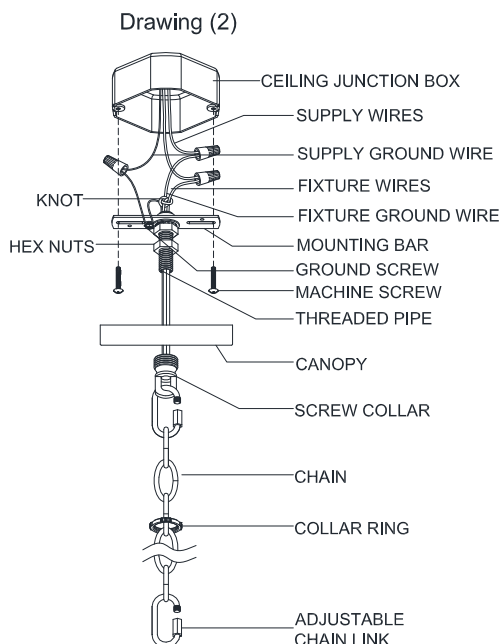
- Slide Glass (4) into the Lamp Body (1) and bend glass Clip (3). **If height of the glass is not aligned with the lamp body during installation; it needs to be turned 90 degrees. Ensure directional sticker is at the top.**
- Place the Candle Sleeve (5) over the Socket (6), then Install the Bulb (2) to the Socket (6).
- The canopy of the fixture can now be mounted to the ceiling by following instruction **Drawing 2**.
- Hook the Crystal Ball (8) to the bottom of the Light Cluster (7).

Replacement Glass installation:

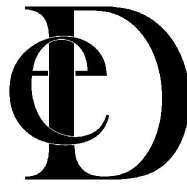
- Follow instructions # 1 above to install new glass.

Bulb replacement:

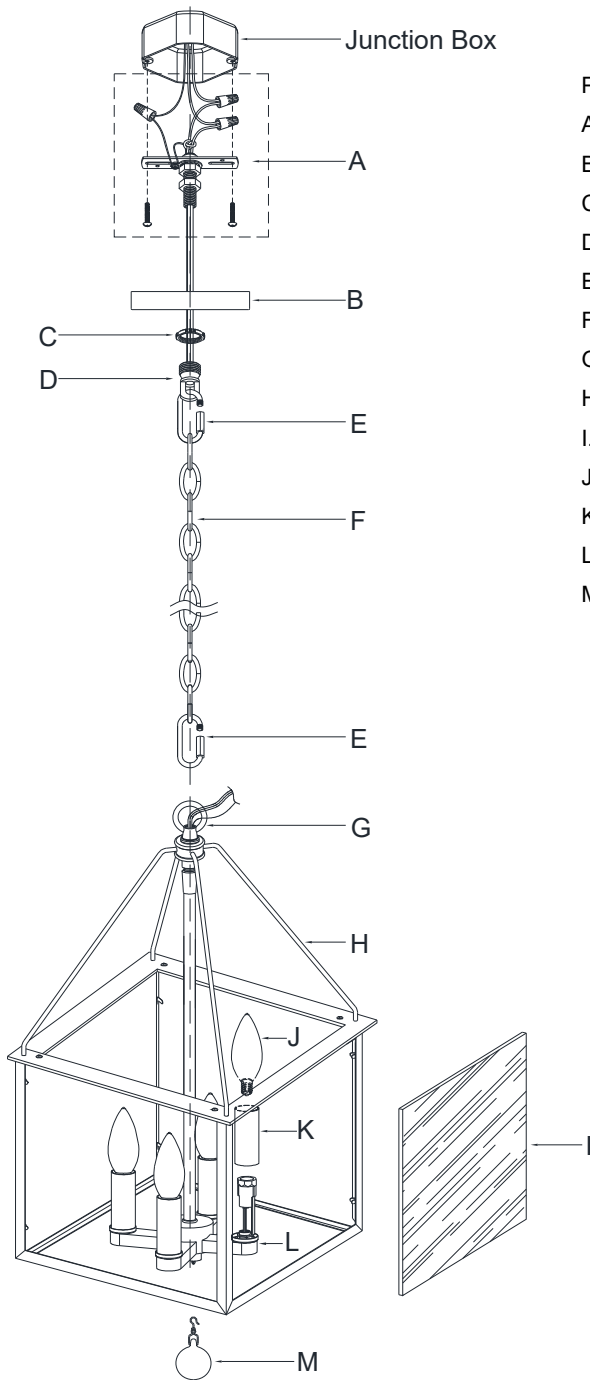
- Install the Bulb (2) into the Socket (6).



WARNING: This product can expose you to lead, which is known to the state of California to cause cancer and / or birth defects or reproductive harm. For more information go to www.P65warnings.ca.gov



ASSEMBLY INSTRUCTION MODEL# EDC903PN



Part Number

Part Numbers

- A. (1) Mounting Hardware
- B. (1) Canopy; w5" x h0.75" (XFW9905PNCAN5IN)
- C. (1) Collar Ring
- D. (1) Collar Loop
- E. (2) Link
- F. (1) Chain ; w4.2mm (XFW9905PNCHA4.2MM)
- G. (1) Loop
- H. (1) Lamp Body
- I. (4) Glass; w8.6" x h8.85" (XFW9903GLA8.85IN)
- J. (4) Bulbs (Not Included)
- K. (4) Candle Sleeve; w1" x h2.36"(XFW9903PNCDL2.36IN)
- L. (1) Light Cluster
- M. (1) Crystal Ball; w1.45" x h2.64"(XFW9900CRYBALL)