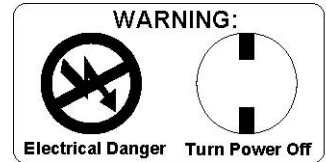
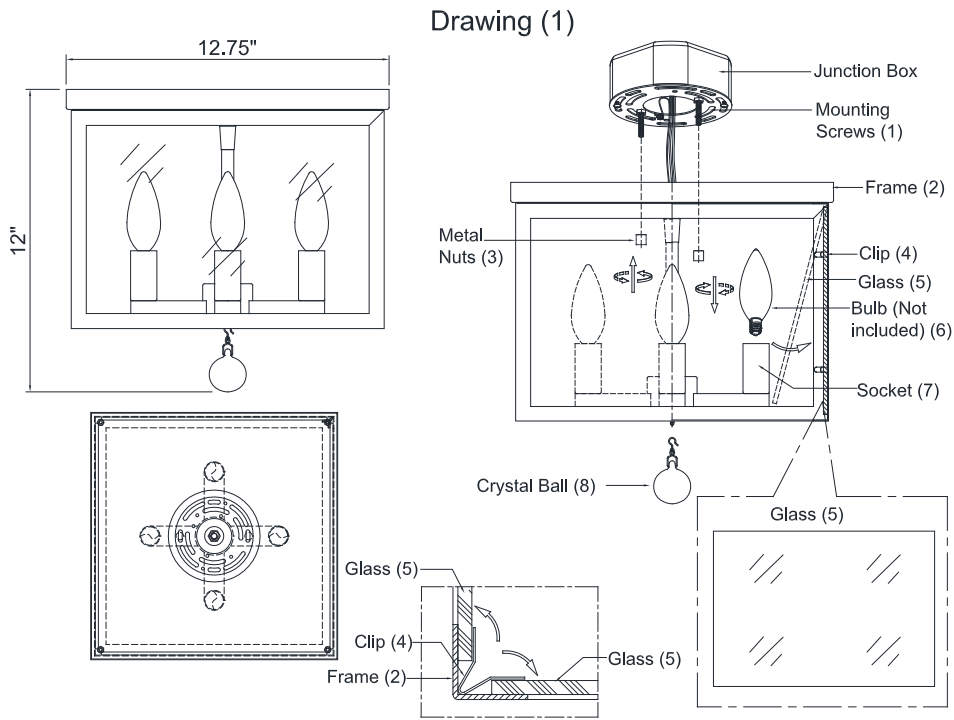


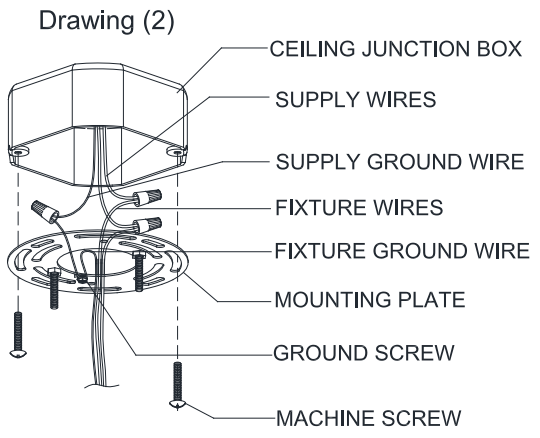
ASSEMBLY INSTRUCTION MODEL# EDC900BKGA



All electrical components must be installed by a licensed electrician in accordance with the National Electric Code and the appropriate local electrical codes.



**You will need 4-Candela
40 Watts Recommended 60 Watts Max
USE LED BULBS FOR EXTENDED USE**



How to Install:

1. Slide Glass (5) into the Frame (2) and bend glass Clip (4).
2. Install the Bulb (6) to the Socket (7).
3. The canopy of the fixture can now be mounted to the ceiling by following instruction **Drawing 2**.
4. Attach the Frame (2) onto the ceiling, using Mounting Screws (1) and securing with the Metal Nuts (3) until tight.
5. Hook the Crystal Ball (8) to the bottom of Frame.

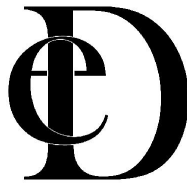
Replacement Glass installation:

1. Follow instructions # 1 above to install new glass.

Bulb replacement:

1. Install the Bulb (6) into the Socket (7).

WARNING: This product can expose you to lead, which is known to the state of California to cause cancer and / or birth defects or reproductive harm. For more information go to www.P65warnings.ca.gov



ASSEMBLY INSTRUCTION MODEL# EDC900BKGA

Part Number

Part Numbers

- A. (1) Mounting Hardware
- B. (1) Frame
- C. (4) Glass; w8.15" x h11.6" (XFW9900GLA11.6IN)
- D. (2) Metal Nut (XFW9900BKGABANUT)
- E. (4) Bulbs (Not included)
- F. (4) Socket (H2 ")
- G. (1) Crystal Ball; w1.45" x h2.64" (XFW9900CRYBALL)

