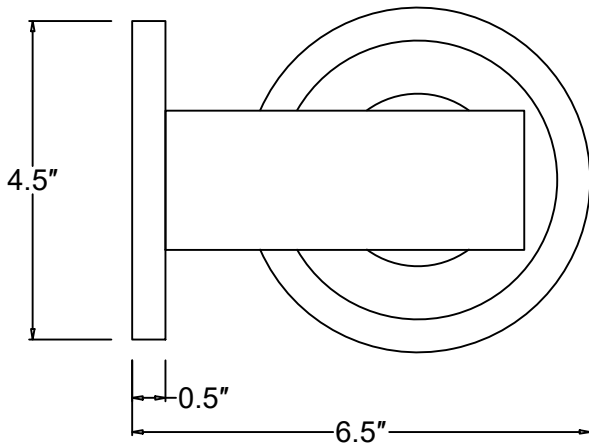
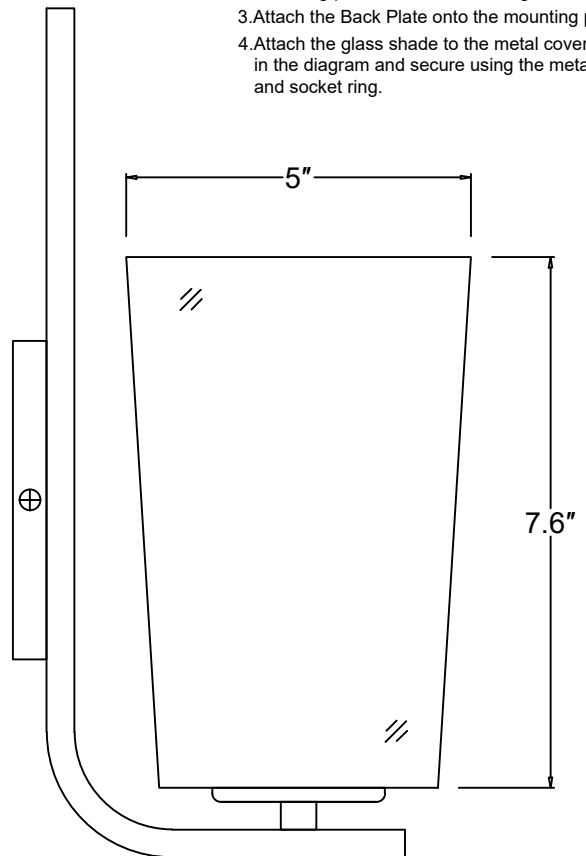
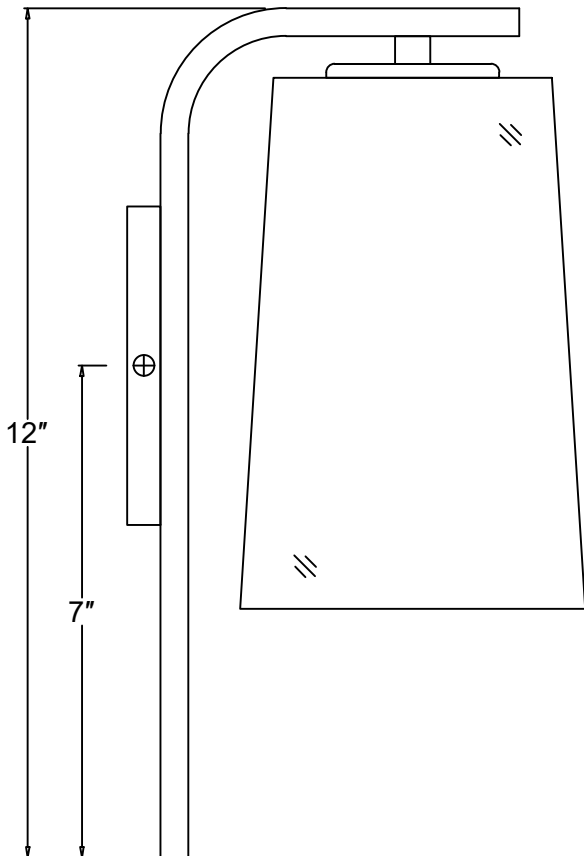


ASSEMBLY INSTRUCTION MODEL# EDC601AG

Top view



This fixture can be mounted with shade pointing upward or downward

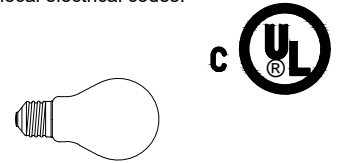


WARNING



Electrical Danger Turn Power Off

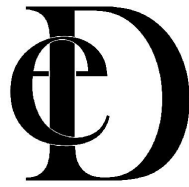
All electrical components must be installed by a licensed electrician in accordance with the National Electric Code and the appropriate local electrical codes.



You will need 1-Medium Bulb
60 Watts Recommended 100 Watts Max
Bulb not included
USE LED BULBS FOR EXTENDED USE
This fixture is damp rated

How to Install

1. Determine the position on the wall that the fixture will be affixed. Mark two points with the same distance as the holes on the back plate.
2. Drill two holes in the wall at the points marked in Step 1 and insert the anchors into the holes. Attach the mounting plate onto the wall using the anchor screws.
3. Attach the Back Plate onto the mounting plate.
4. Attach the glass shade to the metal cover as illustrated in the diagram and secure using the metal spacer and socket ring.



ASSEMBLY INSTRUCTION MODEL# EDC601AG

Part Number

Part Numbers

A. Mounting Hardware

(1) Mounting Plate

(2) Screws

(3) Wire Nut

(3) Anchors

(3) Anchor Screws

B. (1) Back plate; $\varnothing 4.5$ "x0.5"h; XMO4601AGBKP4.5IN

C. (1) Lamp Arm

D. (1) Metal Cover

E. (1) Glass Shade; 3.9"x5"x7.6"; XMO4601GLASHA5IN

F. (1) Metal Spacer

G. (1) Socket Ring

