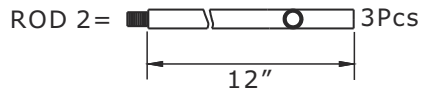
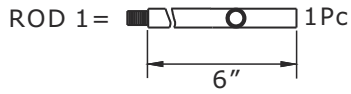


ASSEMBLY INSTRUCTION MODEL# EDC306VG



WARNING:

Electrical Danger Turn Power off

All electrical components must be installed by a licensed electrician in accordance with the National Electric Code and the appropriate local electrical codes.

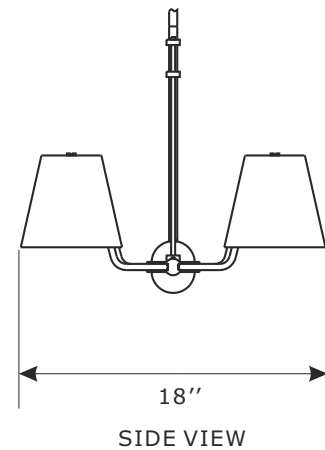
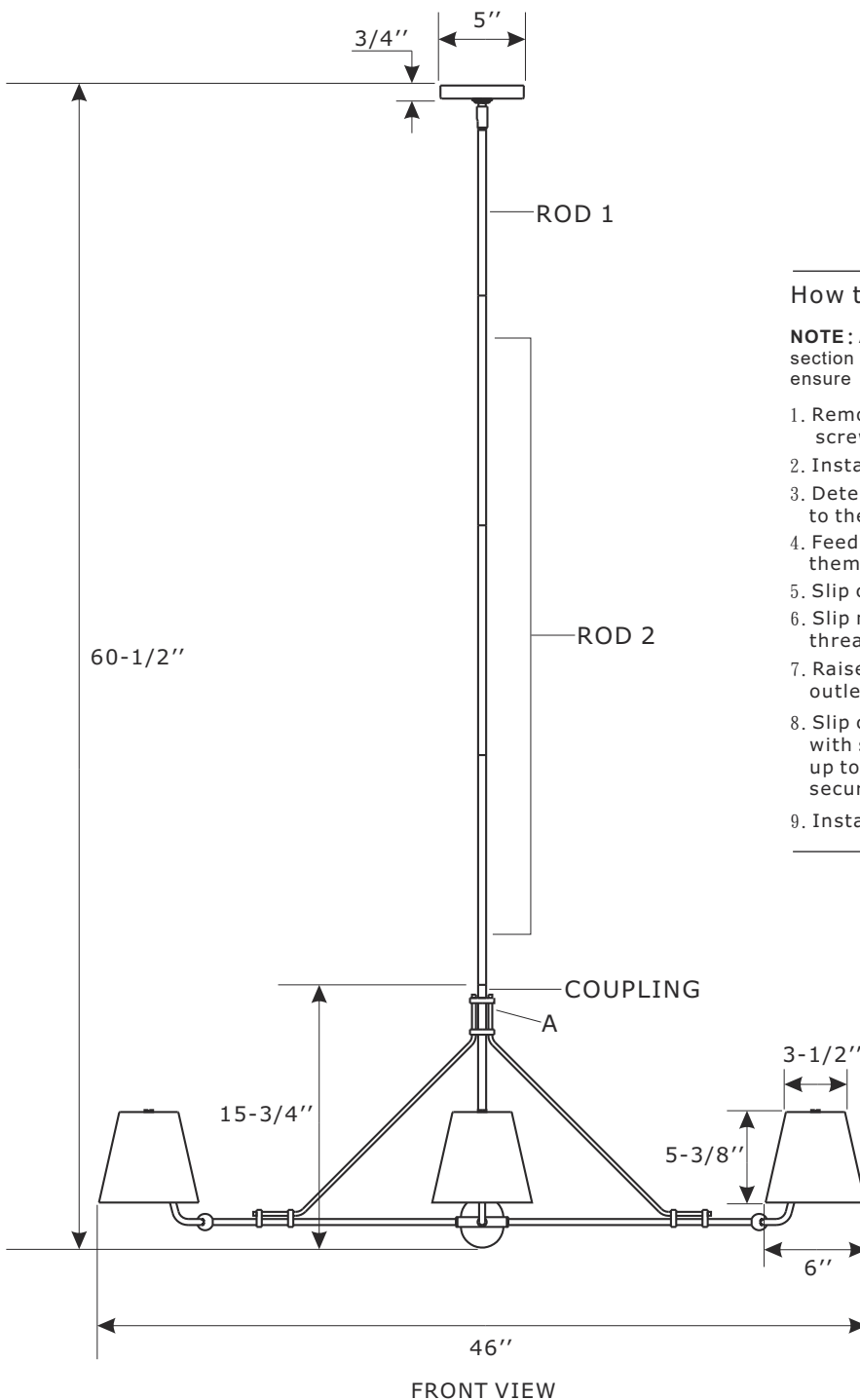


You will need 6 - Candelabra Base Bulb G16-1/2
40 Watts Recommended 60 Watts Max.
USE LED BULBS FOR EXTENDED USE
This fixture is Damp rated

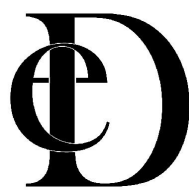
How to install

NOTE: After unpacking the fixture, please adjust the top section of the fixture (marked as "A" on the drawing), to ensure it is straight and secure.

1. Remove screws from top of socket using the screwdriver.
2. Install the metal shade and secure with screws.
3. Determine the preferred hanging height and adjust to the required rods.
4. Feed the wires through the rods and connect them together.
5. Slip collar ring and canopy over the rod assembly.
6. Slip mounting strap with swivel along wire and thread it into the top of the rod assembly.
7. Raise fixture up and attach mounting strap to the outlet box using two outlet box screws.
8. Slip canopy up along rods and over mounting strap with swivel and hold it in position. Slip collar ring up to canopy and thread it onto screw collar, to secure canopy.
9. Install the bulb(not included) into socket.



WARNING: This product can expose you to Lead which is known to the state of California to cause cancer and/or birth defects or reproductive harm. For more information go to www.P65Warnings.ca.gov



ASSEMBLY INSTRUCTION MODEL# EDC306VG

Part Number

Part Numbers

- A. (1)-Mounting hardware
- B. (1)-Canopy W5''xH3/4'' #XRF8301VGCAN5IN
- C. (1)-Collar ring
- D. (1)-Rod D1/2''xL6'' #XRF8302VGROD6IN
- E. (3)-Rod D1/2''xL12'' #XRF8302VGROD12IN
- F. (1)-Coupling
- G. (6)-Screw
- H(A). (6)-Black metal shade #XRF8302MKSHA6IN
- H(B). (6)-White metal shade #XRF8302WHSHA6IN
- I. (6)-Socket

