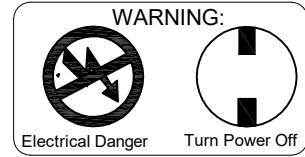


## ASSEMBLY INSTRUCTION MODEL #ED3552001CH

Caution: when installing fixture, gloves must be worn to prevent scratches.



All electrical components must be installed by a licensed electrician in accordance with the National Electric Code and the appropriate local electrical codes.



Fixture uses Integrated LEDs (Included) 40.5 Watts Max.

The fixture is dry rated

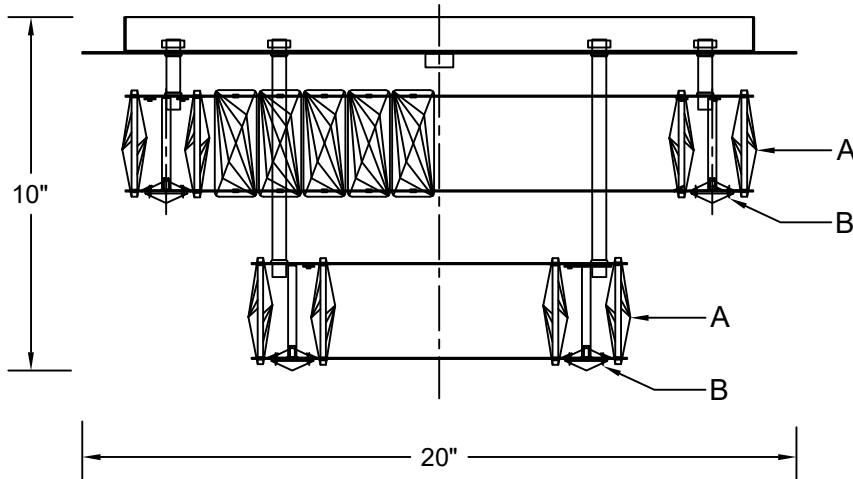
### How to Install

1. Attach the mounting plate onto the outlet box using two outlet screws.
2. Secure the fixture up to the ceiling and do the wire connections. Secure canopy with the hex nut, check ring and the finial.

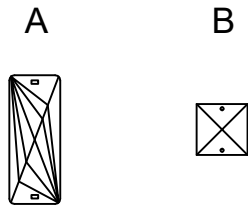
### Crystal Sets

- A. 117Sets. (1)30x76mm
- B. 45Sets. (1)30x30mm

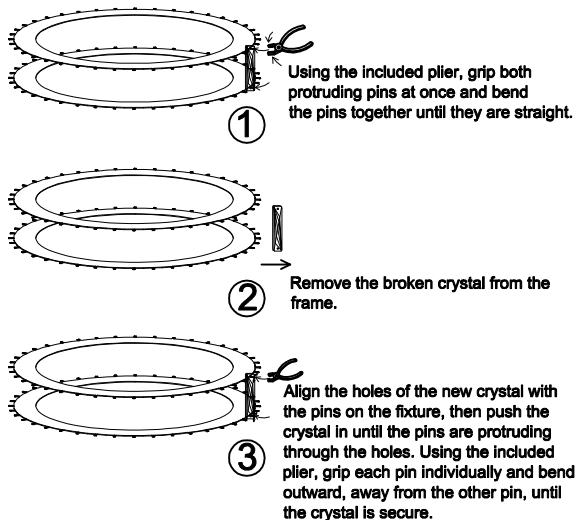
**WARNING:** This product can expose you to Lead, which is known to the State of California to cause cancer and/or birth defects or reproductive harm. For more information go to [www.P65Warnings.ca.gov](http://www.P65Warnings.ca.gov)

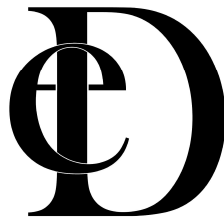


### DETAILED ILLUSTRATION



### How to replace the crystal





PART NUMBER MODEL #ED3552001CH

## Part Number

### Part Numbers

- A. (2)-Wire Connector
- B. (1)-Mounting Plate
- C. (2)-Outlet Box Screws
- D. (1)-Ground Wire
- E. (1)-Frame
- F. (1)-Washer
- G. (1)-Nut
- H. (1)-Check Ring
- I. (1)-Finial (XFB3541801CHFIN)

PART BAG I : Includes Parts A,C

