

ASSEMBLY INSTRUCTION MODEL# ED3321202PN

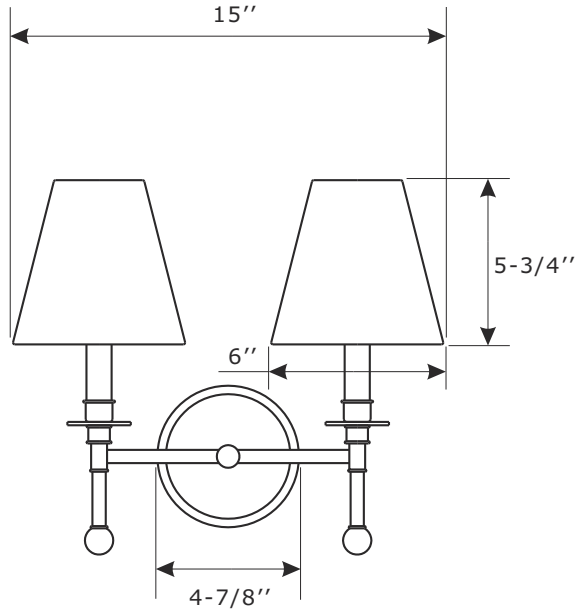


All electrical components must be installed by a licensed electrician in accordance with the National Electric Code and the appropriate local electrical codes.



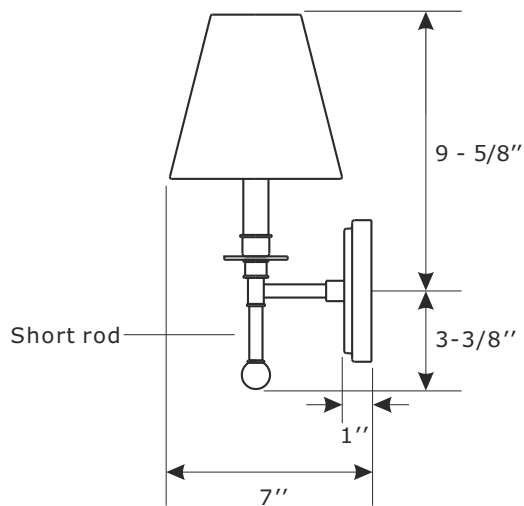
You will need 2- Candelabra Base Bulb
40 Watts Recommended 60 Watts Max.
USE LED BULBS FOR EXTENDED USE

FRONT VIEW



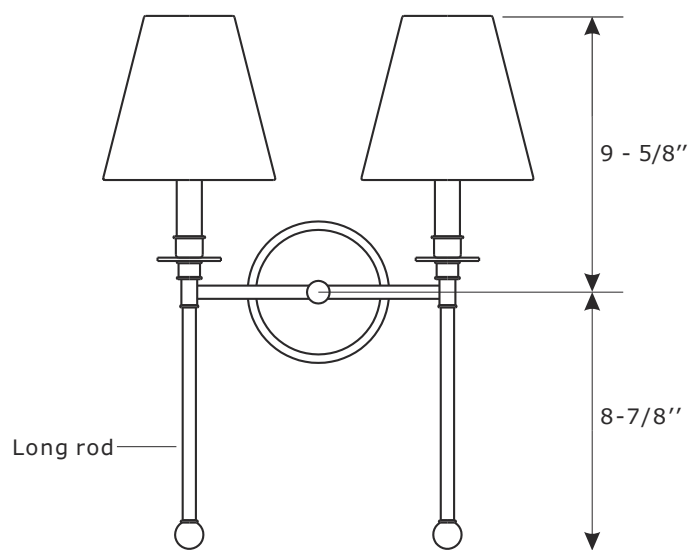
How to install

1. Install the mounting plate to the outlet box using two outlet box screws.
2. Install backplate onto the mounting plate, and secure with the screws.
3. Decide the preferred length of rod. Thread it onto the bottom of socket. The metal ball on the bottom of rod is interchangeable with glass ball.
4. Install the fabric shade onto the candle sleeve.
5. Install the bulb(not included) into socket.
6. OPTIONAL - Thread the spacer into the center hole of fabric shade spoke. Screw metal ball or glass ball into the top of spacer.

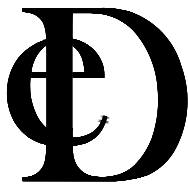


SIDE VIEW

WITH SHORT ROD



WITH LONG ROD



ASSEMBLY INSTRUCTION MODEL # ED3321202PN

Part Number

Part Numbers

- A. (1)-Mounting hardware
- B. (1)-Mounting plate
- C. (1)-Backplate L4-7/8"xW4-7/8"xH1" #XRF382PNBKP4.875IN
- D. (2)-Screw
- E. (2)-Short rod L2" #XRF382PNROD2IN
- F. (2)-Long rod L7-1/2" #XRF382PNROD7.5IN
- G. (2)-Candle sleeve W7/8"xH4-1/4" #XRF382PNCDL4.25IN
- H. (2)-Fabric shade #XRF382SHA5.75IN
- I. (2)-Spacer
- J. (4)-Metal ball D1" #XRF382PNBALL
- K. (4)-Glass ball D1" #XRF382PNCRYBALL

