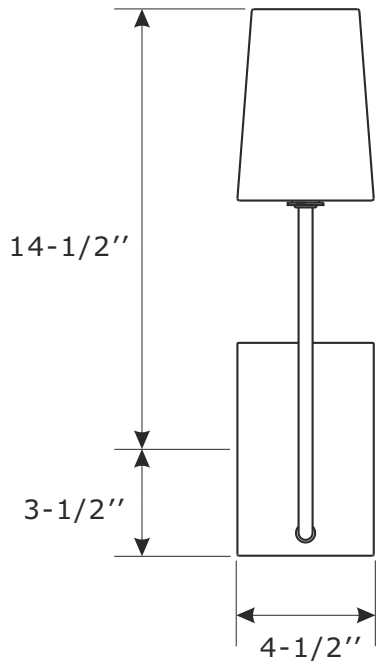


ASSEMBLY INSTRUCTION MODEL#ED2522201CH

FRONT VIEW



All electrical components must be installed by a licensed electrician in accordance with the National Electric Code and the appropriate local electrical codes.



You will need 1- Candelabra Base Bulb  
40 Watts Recommended 60 Watts Max.  
USE LED BULBS FOR EXTENDED USE  
This fixture is Dry rated

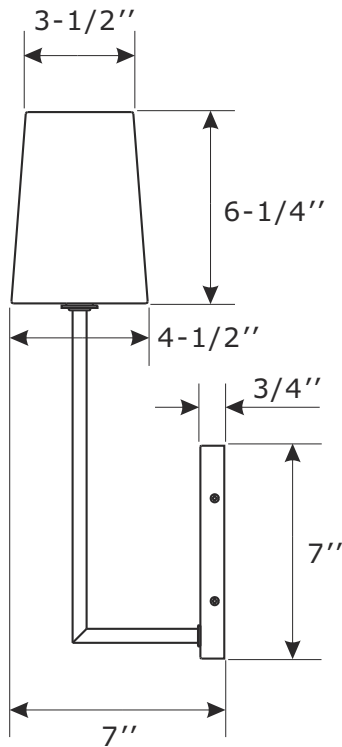
<ck 'hc' =bghU"

%" =bghU" hY'a ci bh]b[ 'd'UH' hc hY'ci hYhVcl 'i gb[ 'hk c'ci hYhVcl 'gWYk g"

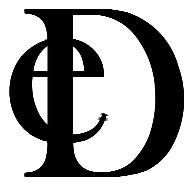
&" =bghU" hY'VUW'd'UH' cbhc hY'a ci bh]b[ 'd'UH' UbX' gYW fy'k ]h' hY'gWYk g"

' "' CDH=CB5@! ' =bghU" hY'ZUVf]Wg\ UXY' cbhc hY'WlbXY' gYYj Y"

(' " =bghU" hY'Vi 'V'fbch]bWl XYXÉ.]bhc hY'gcW\_YH'



SIDE VIEW



ASSEMBLY INSTRUCTION MODEL#ED2522201CH

Part Number

Part Numbers

A.(1)-Mounting hardware

B. (1)-Mounting plate

C. (1)-Backplate L7"xW4-1/2"xH3/4" #XRF250CHBKP4.5IN

D. (4)-Screw

E. (1)-Candle sleeve W7/8"xL2" #XRF251CHCDL2IN

F. (1)-Fabric shade W4-1/2"xH6-1/4" #XRF251SHA6.25IN

