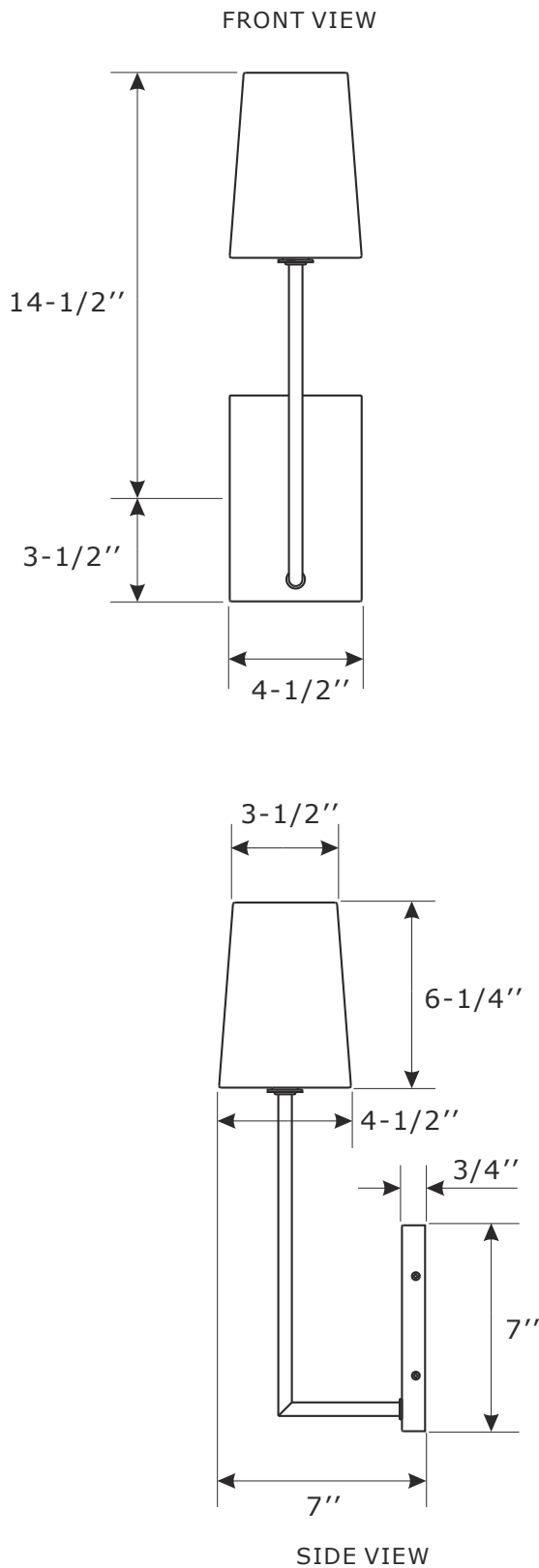


ASSEMBLY INSTRUCTION MODEL#ED2522201BF



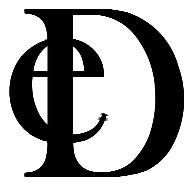
All electrical components must be installed by a licensed electrician in accordance with the National Electric Code and the appropriate local electrical codes.



You will need 1- Candelabra Base Bulb
40 Watts Recommended 60 Watts Max.
USE LED BULBS FOR EXTENDED USE
This fixture is Dry rated

How to Install

1. Install the mounting plate to the outlet box using two outlet box screws.
2. Install the backplate onto the mounting plate and secure with the screws.
3. OPTIONAL - Install the fabric shade onto the candle sleeve.
4. Install the bulb (not included) into the socket.



ASSEMBLY INSTRUCTION MODEL #ED2522201BF

Part Number

Part Numbers

A.(1)-Mounting hardware

B. (1)-Mounting plate

C. (1)-Backplate L7"xW4-1/2"xH3/4" #XRF250BFBKP4.5IN

D. (4)-Screw

E. (1)-Candle sleeve W7/8"xL2" #XRF251BFCDL2IN

F. (1)-Fabric shade W4-1/2"xH6-1/4" #XRF251SHA6.25IN

