

ASSEMBLY INSTRUCTION MODEL #ED0720101CH

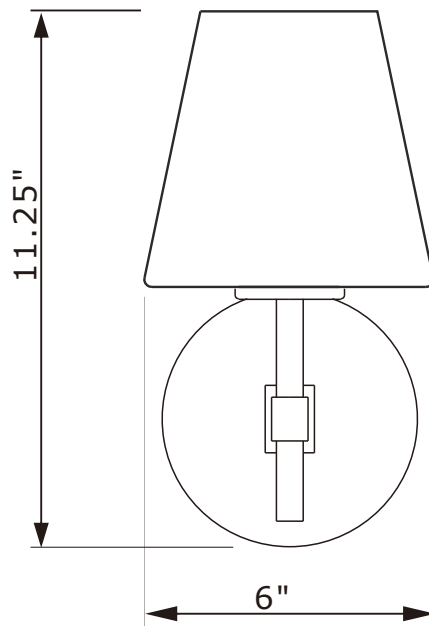


All electrical components must be installed by a licensed electrician in accordance with the National Electric Code and the appropriate local electrical codes.



You will need 1 -Medium Base Bulb
60 Watts recommended 60Watts Max.
USE LED BULBS FOR EXTENDED USE

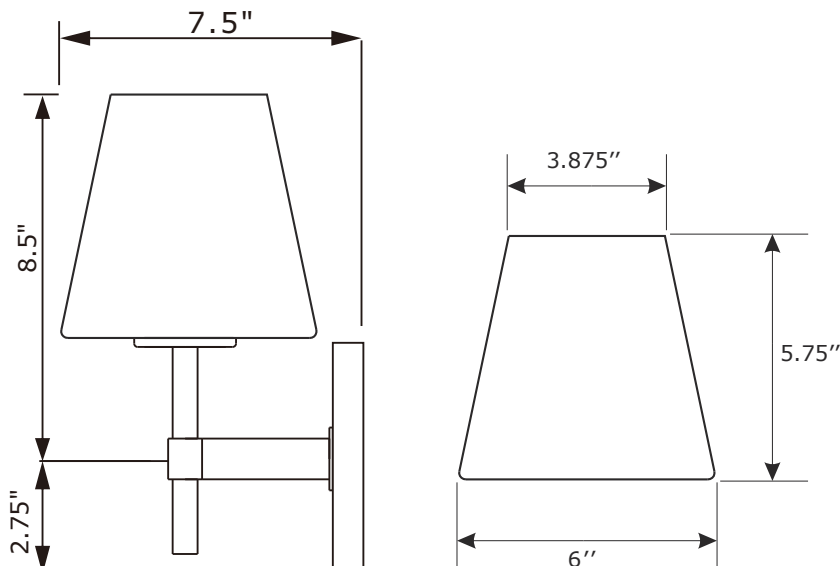
The fixture is Damp rated.



How to Install

1. Install the mounting plate onto the outlet box using two outlet box screws.
2. Attach the backplate over the mounting plate and secure with the screws.
3. Place the glass shade over the socket and secure with socket ring.

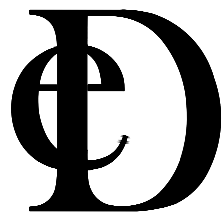
DETAILED ILLUSTRATION



Side View

Glass Shade

WARNING: This product can expose you to Lead, which is known to the State of California to cause cancer and/or birth defects or reproductive harm. For more information go to www.P65warnings.ca.gov



PART NUMBER MODEL #ED0720101CH

Part Number

Part Numbers

- A. (2)-Wire Connector
- B. (1)-Mounting plate
- C. (2)-Screw
- D. (1)-Backplate (Ø5.5")
-XSN101CHBK5.5IN
- E. (1)-Socket Ring
- F. (1)-Glass Shade;W6",H5.75"
-XRF2441SHA6IN
- G. (1)-Socket

