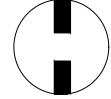


ASSEMBLY INSTRUCTION MODEL #ED0552202MKGD

WARNING:

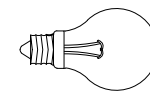


Electrical Danger



Turn Power Off

All electrical components must be installed by a licensed electrician in accordance with the National Electric Code and the appropriate local electrical codes.



You will need 2- Medium Base Bulb
40 Watts recommended and 60 Watts Max.

Use Led Bulbs For Extended Use.

Led Bulb Included.

The fixture is Damp rated

HOW TO INSTALL:

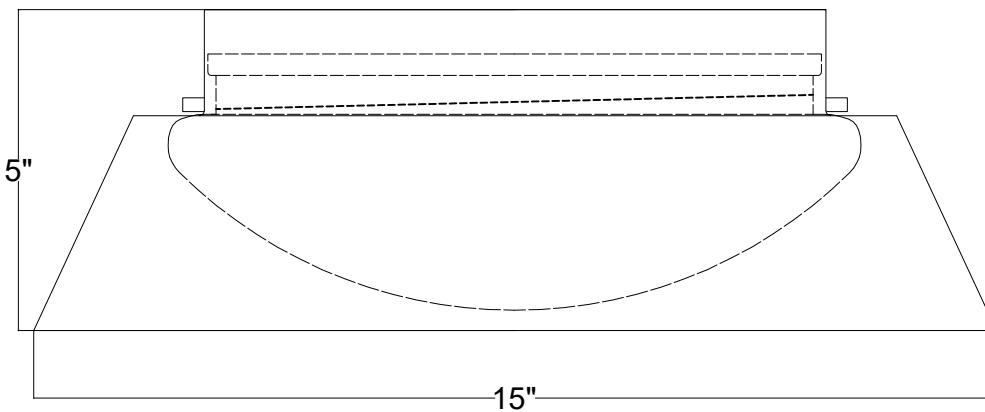
Place the fixture parts on a soft cloth-covered platform before installation of fixture.

1. Install the mounting bar onto the outlet box.

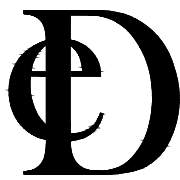
2. Raise the Ceiling Pan(B) up over the threaded nipple on the mounting bar and secure with the Finial(E) after the wire connection is completed.

3. Install the bulb onto the socket.

4. Raise the Glass Shade(D) up into the Ceiling Pan(B) to allow the screw head of the Cap Nut(C) to insert into the slot on the neck of the Glass Shade(D). Rotate the Glass Shade(D) counter clockwise to secure it.



WARNING: This product can expose you to Lead, which is known to the State of California to cause cancer and/or birth defects or reproductive harm. For more information go to www.p65warnings.ca.gov



ASSEMBLY INSTRUCTION MODEL #ED0552202MKGD

Part Number

Part Numbers

A. Mounting hardware
Wire Connector × 2.
Mounting Bar × 1.
Mounting Screw × 2.
Washer&Nut × 2.

B.(1)-Ceiling Pan;H5" W15"

C.(2)-Cap Nut

D.(1)-Glass Shade;H4.1" W11"
XEH0552202GLA11IN

E.(1)-Finial

F. (1)-LED Bulb

