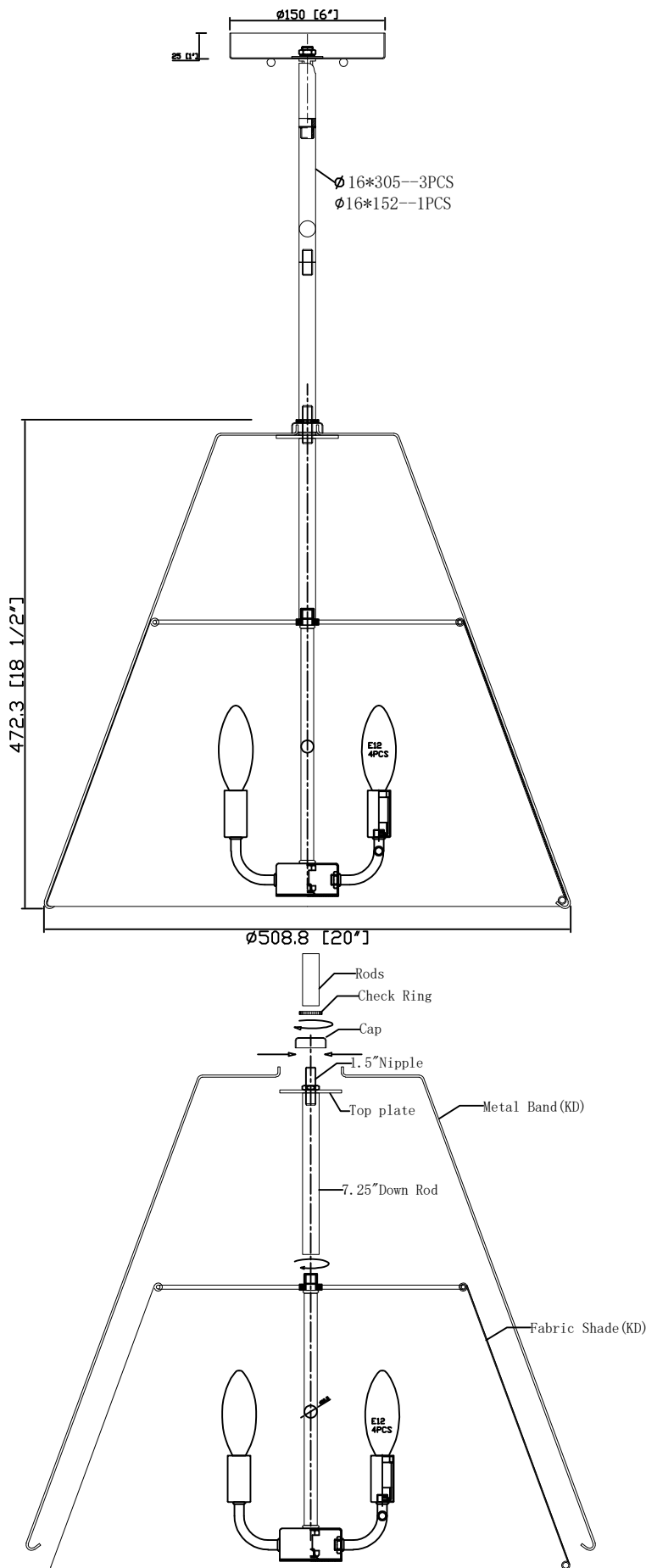
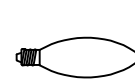


## ASSEMBLY INSTRUCTION MODEL #ED0241104BK



All electrical components must be installed by a licensed electrician in accordance with the National Electric Code and the appropriate local electrical codes.



You will need 4 - Cand. Bulb  
40 Watts Recommended 60 Watts Max

USE LED BULBS FOR EXTENDED USE

THIS FIXTURE IS DRY RATED

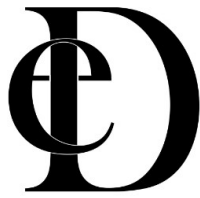
### How to Install

Place the fixture frame on a soft cloth covered platform before installation of the fixture.

1. Install the Bulb(Not included) into the socket.
2. Thread the down rod onto the top of shade.
3. Hook one end of the metal band onto fabric shade, and put the other end on the top plate. Then cover it with the cap and secure it with check ring.
4. Determine the preferred hanging height and choose the rods needed.
5. Pass the wire through the rods, swivel and canopy. Connect the rods together.
6. Attach one end of the rod assembly onto the fixture body and the other end onto the swivel.
7. Install the fixture onto the outlet box.

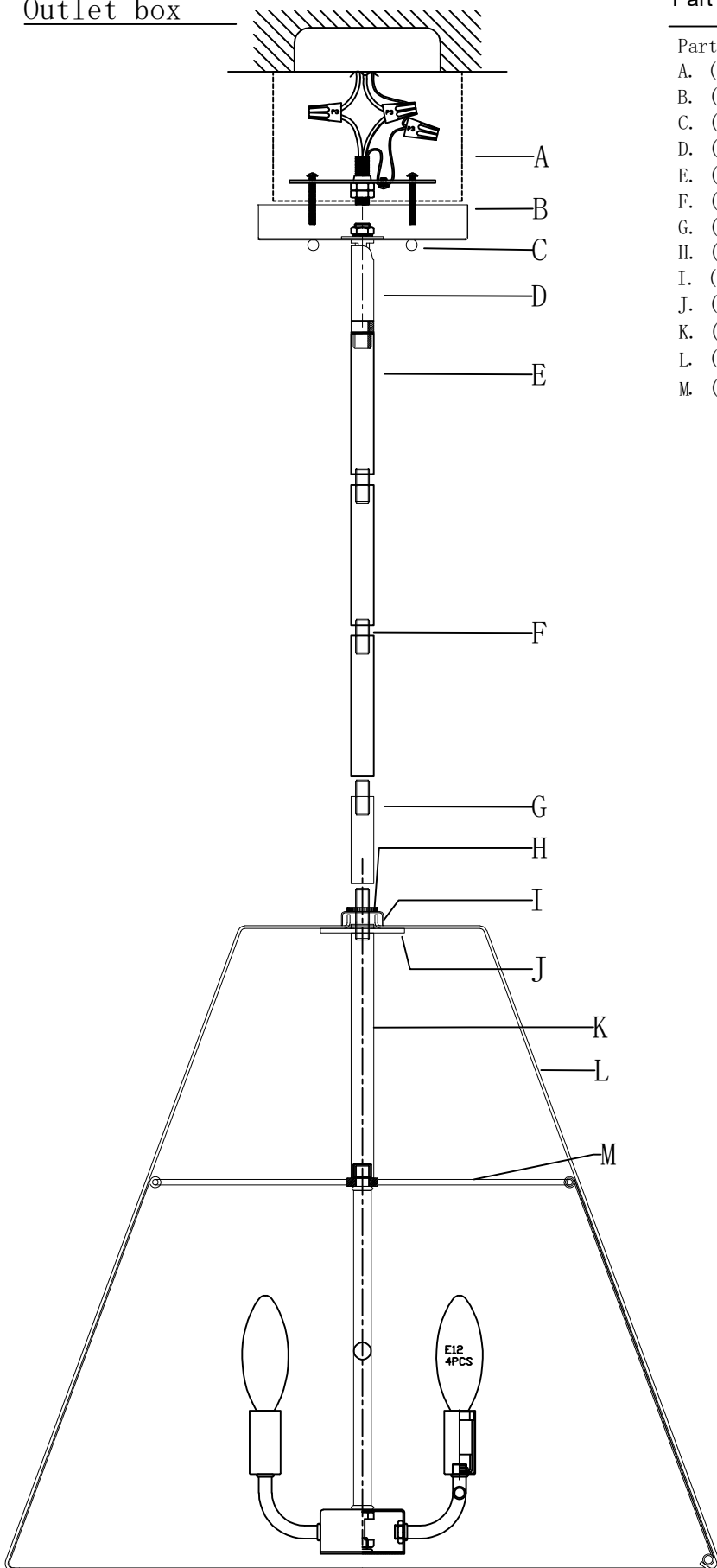


WARNING: This product can expose you to Lead, which is known to the State of California to cause cancer and/or birth defects or reproductive harm. For more information go to [www.P65Warnings.ca.gov](http://www.P65Warnings.ca.gov)



ASSEMBLY INSTRUCTION MODEL #ED0241104BK

Outlet box



Part Number

Part Number

- A. (1)-Mounting hardware
- B. (1)-Canopy  $\varnothing 6" * H 1"$  #XAR904BKCAN6IN
- C. (2)-Ball Nut
- D. (1)-Swivel
- E. (3)-Rod;  $\varnothing 0.6" * L 12"$  #XAR904BKR0D12IN
- F. (3)-Nipple;  $L 1"$
- G. (1)-Rod;  $\varnothing 0.6" * L 6"$  #XAR904BKR0D6IN
- H. (1)-Check Ring;
- I. (1)-Cap;
- J. (1)-Top Plate;
- K. (1)-Down rod;  $7.25"$  Stem #XAR904BKSTEM7.25IN
- L. (4)-Metal band; #XAR904BKBAND
- M. (1)-Fabric shade;  $W 20" * H 11"$  #XAR0241104BKSHA20IN