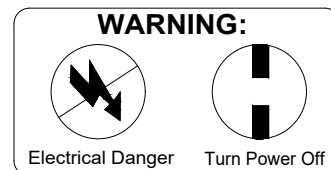
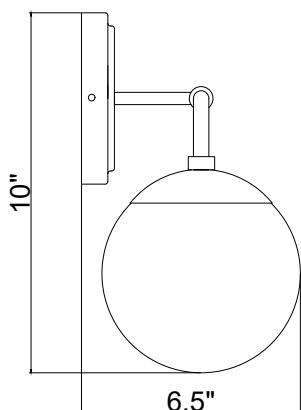
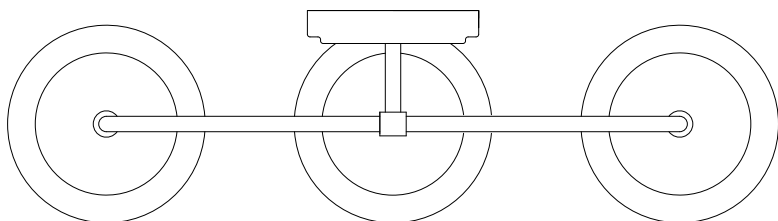
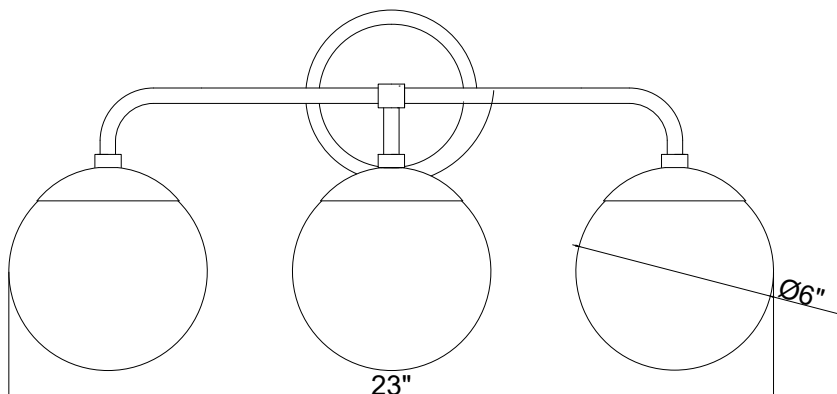
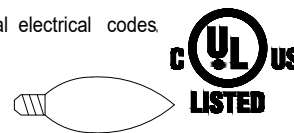


## ASSEMBLY INSTRUCTION MODEL #ED0121003VG



All electrical components must be installed by a licensed electrician in accordance with the National Electric Code and the appropriate local electrical codes.



You will need 3- Candelabra Base Bulb  
40 Watts recommended 60 Watts Max.  
USE LED BULBS FOR EXTENDED USE

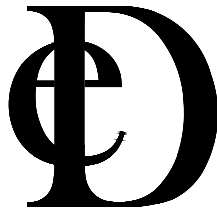
The fixture is Damp rated

### HOW TO INSTALL:

Place the fixture parts on a soft cloth-covered platform before installation of fixture.

1. Install the mounting plate onto the outlet box.
2. Place the frame over the mounting plate and secure with the screw.
3. Install the bulb onto the socket and screw the glass shade onto the socket.

 **WARNING:** This product can expose you to Lead, which is known to the State of California to cause cancer and/or birth defects or reproductive harm. For more information go to [www.p65warnings.ca.gov](http://www.p65warnings.ca.gov)



ASSEMBLY INSTRUCTION MODEL #ED0121003VG

## Part Number

### Part Numbers

A. Mounting hardware

1) Mounting Plate x1.

2) Outlet Box Screws x2.

3) Wire Connectors x2.

B. Screw

C. Backplate -5"H x 5"W x 1"D  
XEH0121003VGBKP5IN

D. Glass Shade Ø6" -XEH0121001GLA6IN

