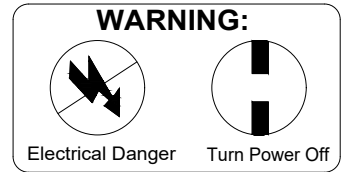
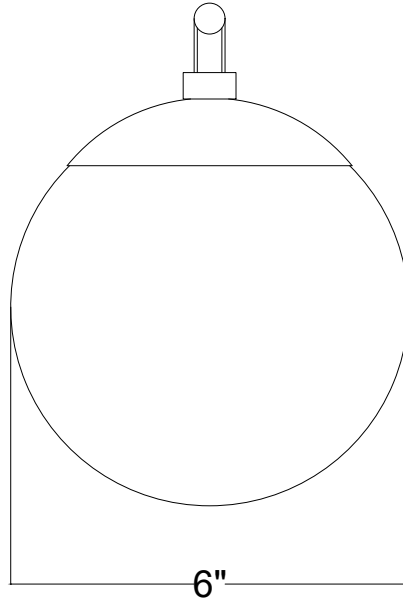
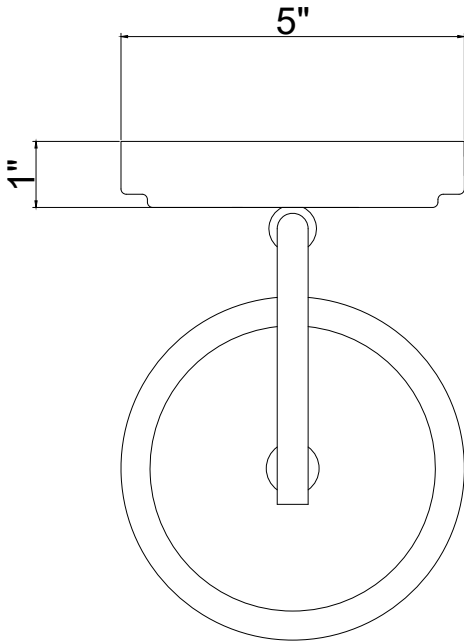
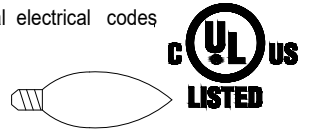


ASSEMBLY INSTRUCTION MODEL # ED0121001VG



All electrical components must be installed by a licensed electrician in accordance with the National Electric Code and the appropriate local electrical codes



You will need 1- Candelabra Base Bulb
40 Watts recommended 60 Watts Max.
USE LED BULBS FOR EXTENDED USE

The fixture is Damp rated

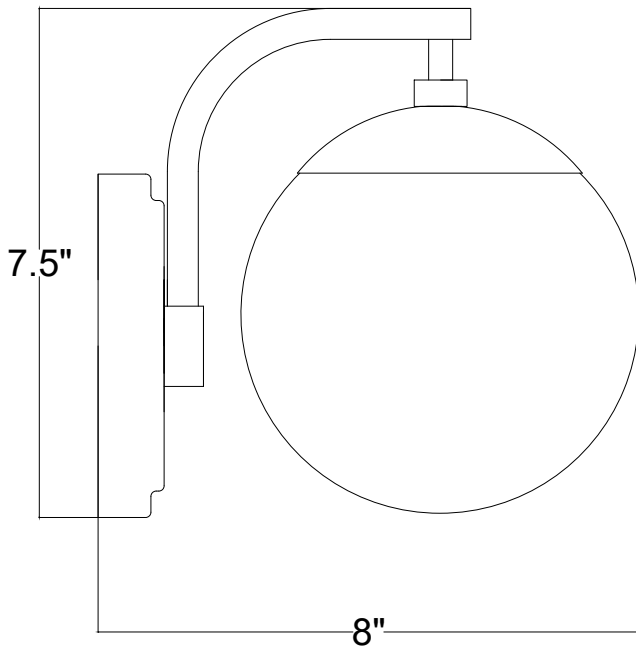
HOW TO INSTALL:

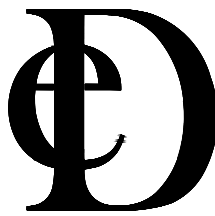
Place the fixture parts on a soft cloth-covered platform before installation of fixture.

1. Install the mounting plate onto the outlet box.

2. Place the frame over the mounting plate and secure with the screw.

3. Install the bulb onto the socket and screw the glass shade onto the socket.





ASSEMBLY INSTRUCTION MODEL # ED0121001VG

Part Number

Part Numbers

A. Mounting hardware

1) Mounting Plate x1.

2) Outlet Box Screws x2.

3) Wire Connectors x2.

B. Screw

C. Backplate -5"H x 5"W x 1"D
XEH0121001VGBKP5IN

D. Glass Shade Ø6" -XEH0121001GLA6IN

