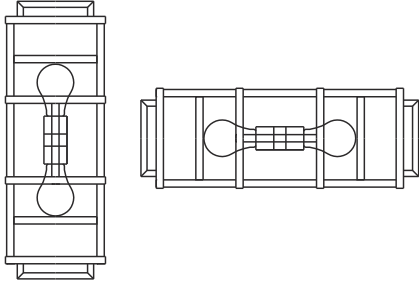


# CRYSTORAMA

1958

95 Cantiague Rock Road, Westbury, NY 11590 • toll free: 1.800.888.4470 fax: 516.931.1254 • [info@crystorama.com](mailto:info@crystorama.com) • [www.crystorama.com](http://www.crystorama.com)

## MODEL#: DAN-402-VG ASSEMBLY AND DRESSING INSTRUCTIONS



It can be mounted both vertically and horizontally.

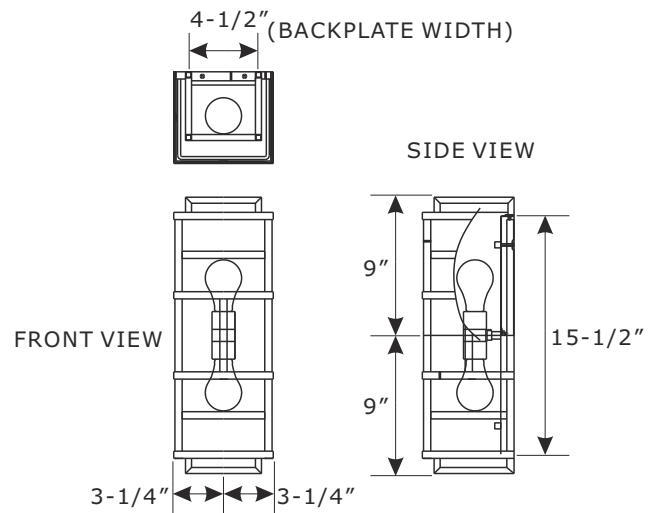
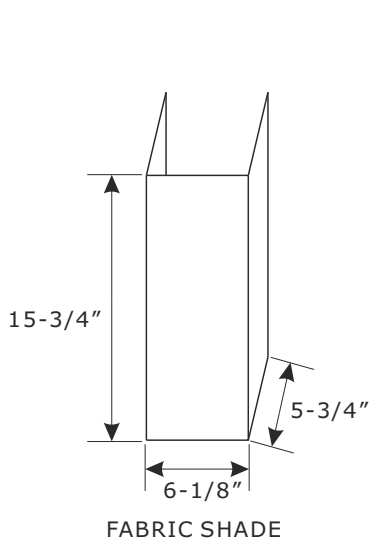
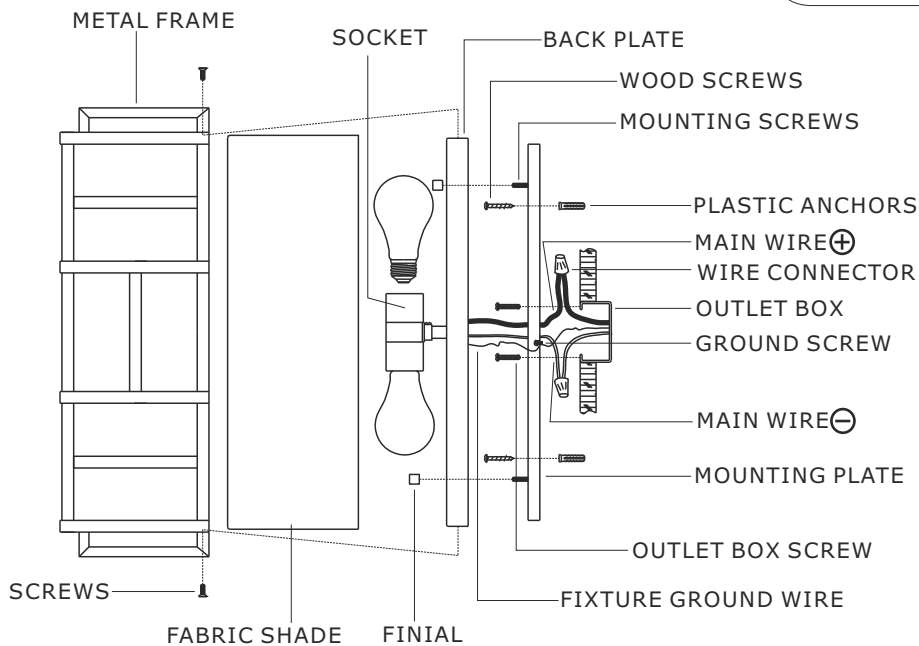


**WARNING:** This product can expose you to Lead which is known to the state of California to cause cancer and/or birth defects or reproductive harm. For more information go to [www.P65Warnings.ca.gov](http://www.P65Warnings.ca.gov)

All electrical components must be installed by a licensed electrician in accordance with the National Electric Code and the appropriate local electrical codes.



You will need 2 Medium base bulbs 60 Watts recommended, Use LED bulbs for Extended use. Bulb not included



2018-08