

# CRYSTORAMA

LIGHTING THE WAY FOR SIXTY YEARS

## ASSEMBLY INSTRUCTION MODEL #CLO-8892-AG

### WARNING

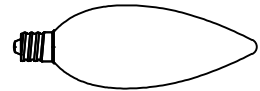


Electrical Danger



Turn Power Off

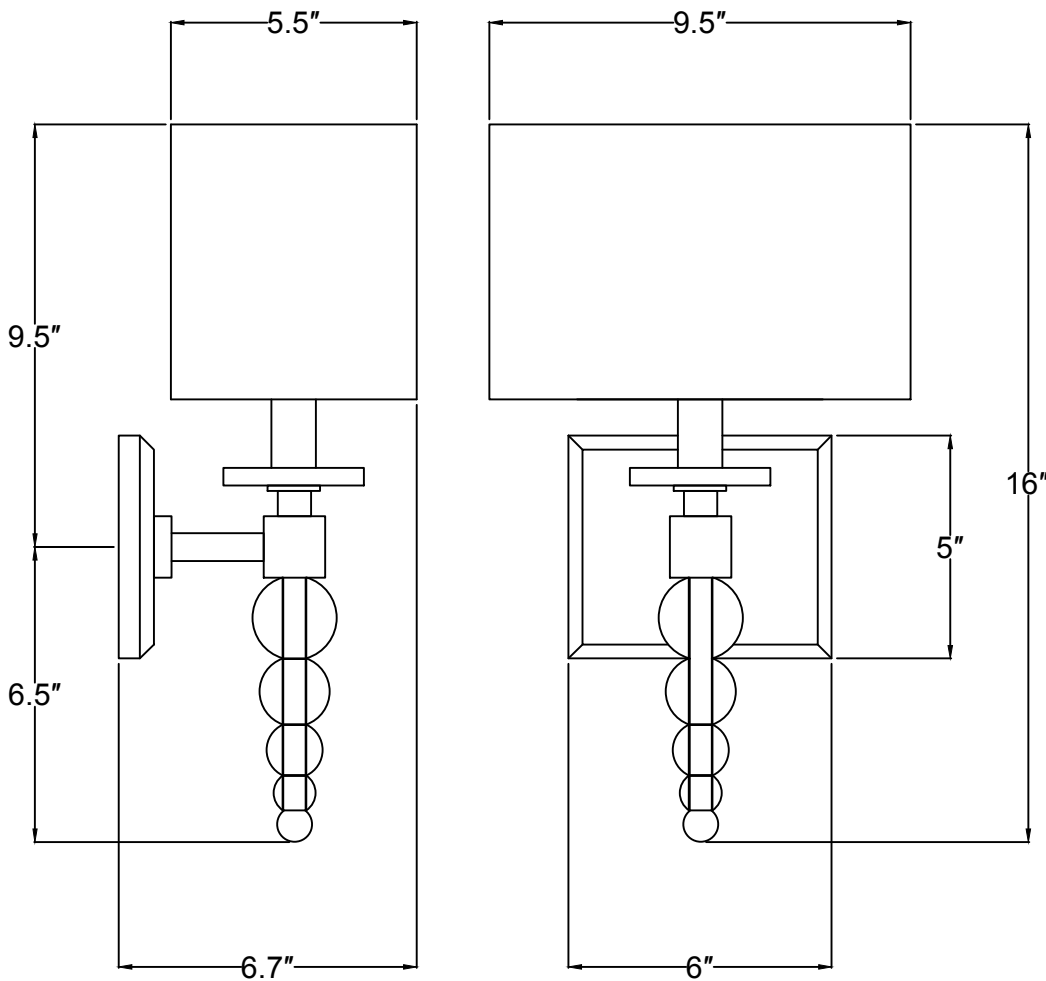
All electrical components must be installed by a licensed electrician in accordance with the National Electric Code and the appropriate local electrical codes.




You will need 1-Cand.BULB  
60 watts Max Bulb not included  
USE LED BULBS FOR EXTENDED USE

### How to Install

1. Attach the fixture onto the outlet box in the wall
2. Install the recommended bulbs (not included) into each socket
3. Put the shade over the candle sleeve.



 **WARNING:** This product can expose you to Lead, which is known to the State of California to cause cancer and/or birth defects or reproductive harm. For more information go to [www.P65Warnings.ca.gov](http://www.P65Warnings.ca.gov)

# CRYSTORAMA

LIGHTING THE WAY FOR SIXTY YEARS

PART NUMBER MODEL #CLO-8892-AG

## Part Number

### Part Numbers

A. Mounting Hardware

(1) Mounting Plate

(1) Backplate; 6"x5"

(3) Wire Nut

(3) Outlet Box Screws

(4) Anchor Screw

B. (1) Shade; 9.5"x5.5"x6.2"h; XMO8892AGSHA9.5IN

C. (1) Candle Sleeve; Ø1"x3.2"h; XMO8892AGCDL3.2IN

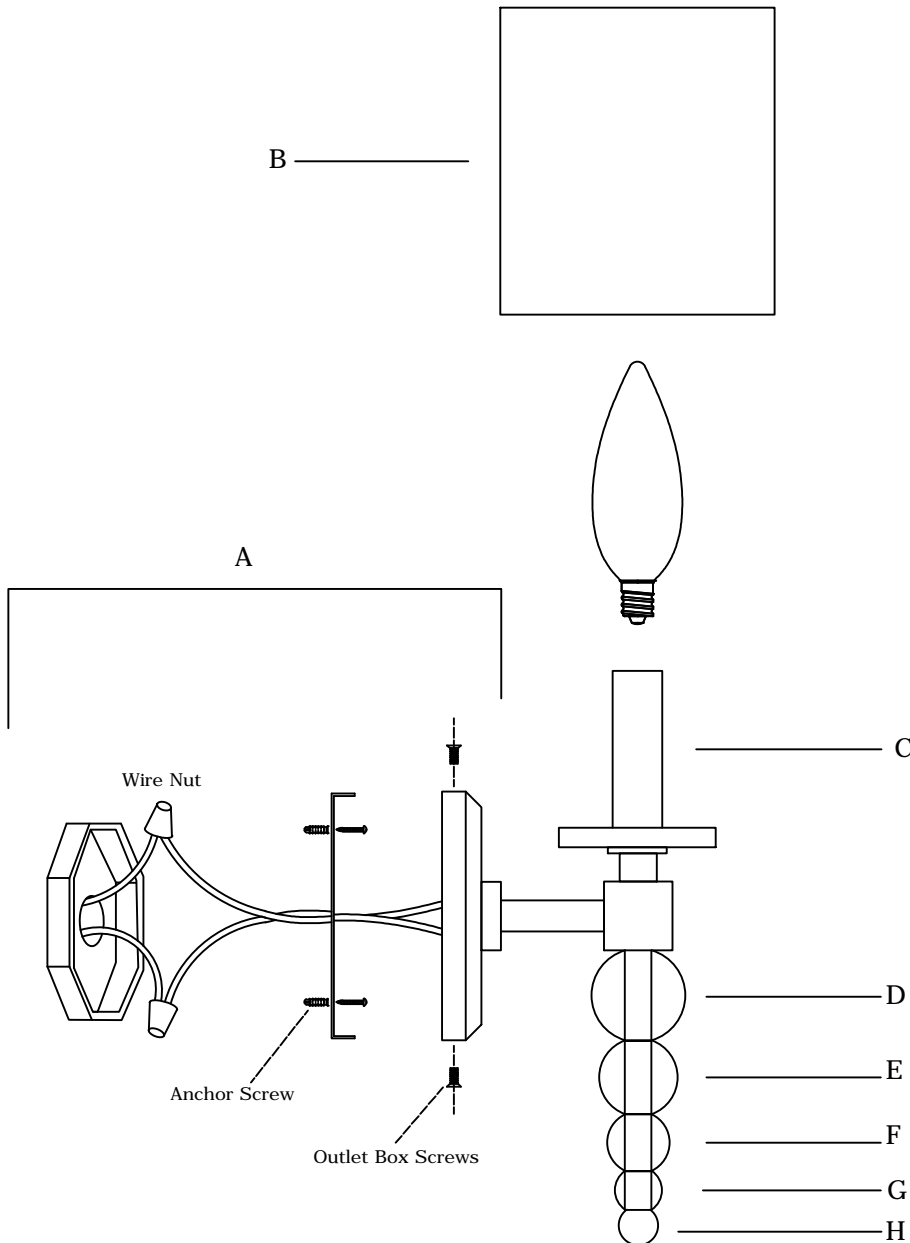
D. (1) Crystal ball; Ø1.89"

E. (1) Crystal ball; Ø1.58"

F. (1) Crystal ball; Ø1.26"

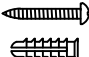

G. (1) Crystal ball; Ø0.95"

H. (1) Metal Finial; Ø0.79"; XMO8892AGFIN



### For installation of mounting plate:

1. Put the mounting plate over the outlet box and mark the 4 points on the wall surface at the center of 4 holes on the mounting plate.
2. Drill 4 holes at the marked points and insert the wall anchors.
3. Place the mounting plate over the outlet box and secure it with outlet screws. Insert the wall anchor screws inside the wall anchors and tighten it.

	
<b>x4</b>	<b>x3</b>
Anchor Screw	Wire Nut