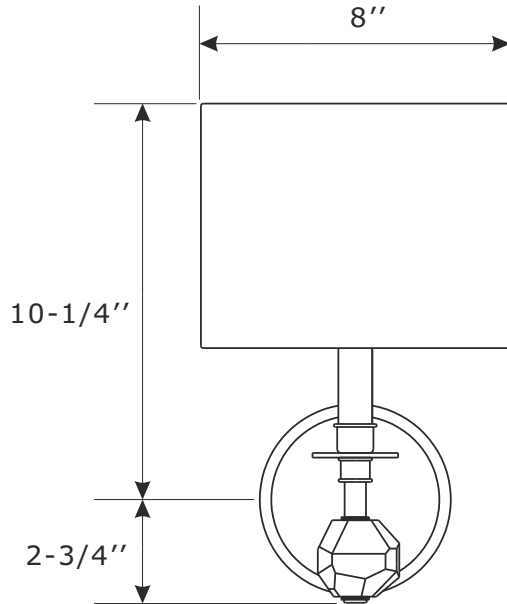
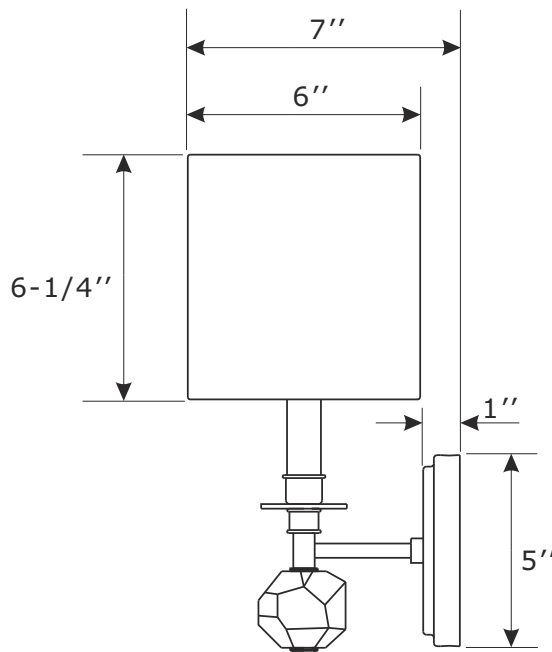




ASSEMBLY INSTRUCTION MODEL#CHI-211-PN



FRONT VIEW



SIDE VIEW

WARNING:



Electrical Danger



Turn Power off

All electrical components must be installed by a licensed electrician in accordance with the National Electric Code and the appropriate local electrical codes.



You will need 1- Candelabra Base Bulb
40 Watts Recommended 60 Watts Max.
USE LED BULBS FOR EXTENDED USE
This fixture is Dry rated

How to install

1. Install the mounting plate to the outlet box using two outlet box screws.
2. Install backplate onto the mounting plate, and secure with the mounting screws.
3. Slide the crystal ball, the plastic washer and the metal washer over the tube kit, then thread the nipple of tube kit into the bottom of socket.
4. Install the fabric shade onto the candle sleeve.
5. Install the bulb(not included) into the socket.



ASSEMBLY INSTRUCTION MODEL#CHI-211-PN

Part Number

Part Numbers

- A. (1)-Mounting hardware
- B. (1)-Mounting plate
- C. (1)-Backplate W5''xH1'' #XRF211PNBKP5IN
- D. (2)-Mounting screw
- E. (1)-Tube kit
- F. (1)-Crystal ball
- G. (1)-Plastic washer
- H. (1)-Metal washer
- I. (1)-Candle sleeve W7/8''xL4-1/4'' #XRF211PNCDL4.25IN
- J. (1)-Fabric shade L8''xW6''xH6-1/4'' #XRF211PNSHA8IN

