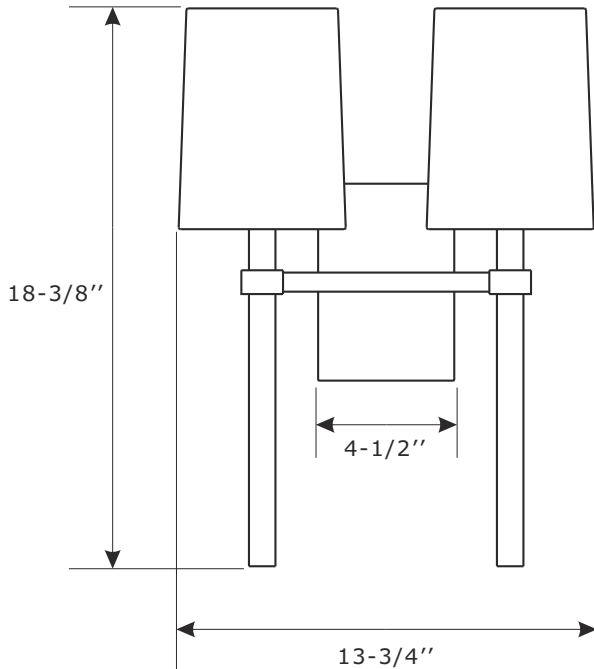


CRYSTORAMA

LIGHTING THE WAY FOR SIXTY YEARS

ASSEMBLY INSTRUCTION MODEL#BRO-452-BF

FRONT VIEW



WARNING:



Electrical Danger



Turn Power off

All electrical components must be installed by a licensed electrician in accordance with the National Electric Code and the appropriate local electrical codes.

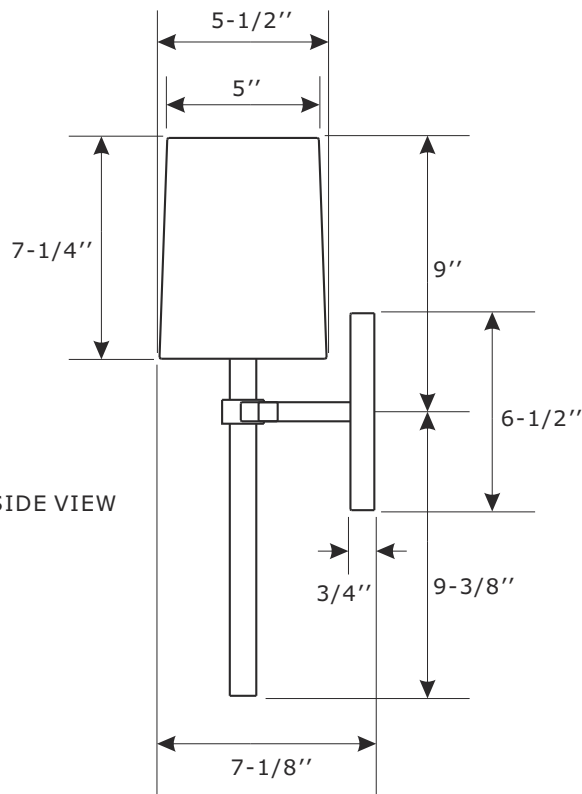


You will need 2 - Candelabra Base Bulb
40 Watts Recommended 60 Watts Max.
USE LED BULBS FOR EXTENDED USE
This fixture is Dry rated

How to install

1. Install the mounting plate to the outlet box using two outlet box screws.
2. Install backplate onto the mounting plate, and secure with the screws.
3. Thread the rod into the bottom of socket.
4. Install the fabric shade onto the candle sleeve.
5. Install the bulb(not included) into socket.

SIDE VIEW



WARNING: This product can expose you to Lead which is known to the state of California to cause cancer and/or birth defects or reproductive harm. For more information go to www.P65Warnings.ca.gov

CRYSTORAMA

LIGHTING THE WAY FOR SIXTY YEARS

ASSEMBLY INSTRUCTION MODEL#BRO-452-BF

Part Number

Part Numbers

- A. (1)-Mounting hardware
- B. (1)-Mounting plate
- C. (1)-Backplate L6-1/2"xW4-1/2"xH3/4" #XRF452BFBKP4.5IN
- D. (2)-Screw
- E. (2)-Rod W7/8"xH9"
- F. (2)-Candle sleeve W7/8"xH3-3/8" #XRF451BFCDL3.375IN
- G. (2)-Fabric shade #XRF451SHA5.5IN

