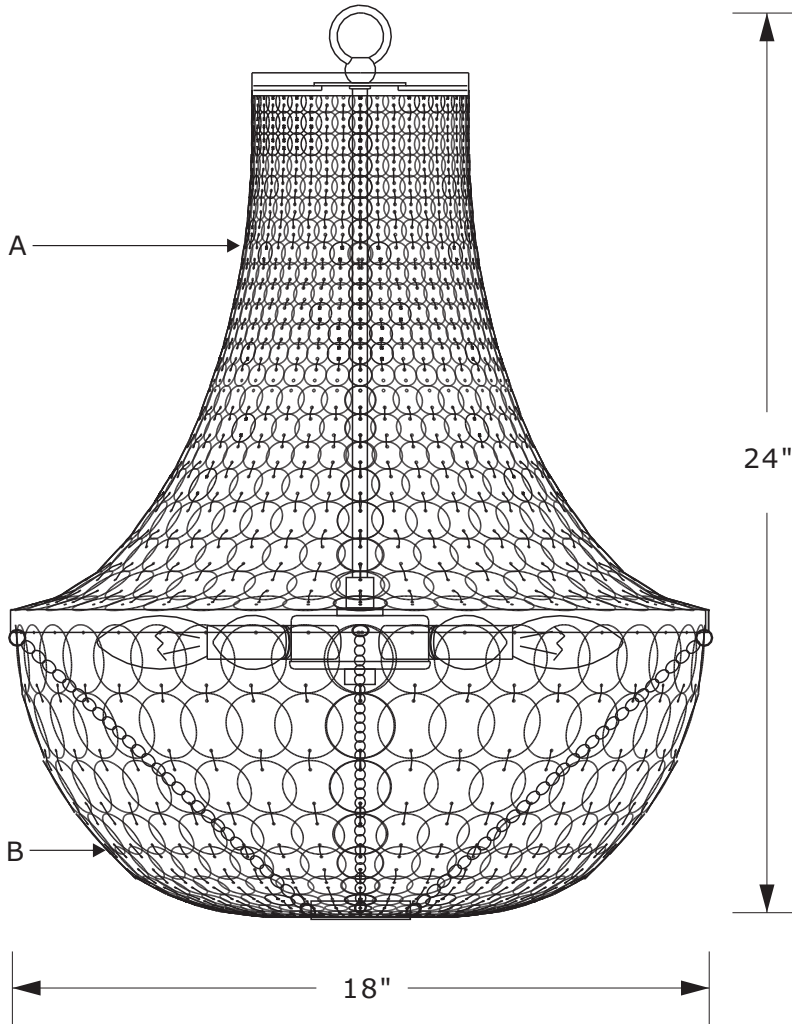


# CRYSTORAMA

LIGHTING THE WAY FOR SIXTY YEARS



## ASSEMBLY INSTRUCTION MODEL #BRI-3006-SA



All electrical components must be installed by a licensed electrician in accordance with the National Electric Code and the appropriate local electrical codes.



You will need 6 -Candelabra Base Bulb  
40 Watts Recommended 60 Watts Max.  
USE LED BULBS FOR EXTENDED USE

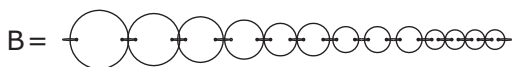
### How to Install

1. Do a complete inventory of all parts and components before you start installation.
2. Thread the center stem onto the coupler on the top of the light cluster.
3. Screw the top band ring onto the top of the center stem.
4. Connect the bottom band ring onto the middle band ring by small hanging chains.
5. Insert recommended bulb (not included).
6. Dress the fixture with capiz shells "A" and "B" as illustrated.

### Capiz Shell Sets

A. 40 Sets.  
(6) 15mm + (6) 20mm + (3) 25mm + (2) 30mm + (2) 35mm

B. 40 Sets.  
(1) 45mm + (1) 40mm + (1) 35mm + (1) 30mm + (2) 25mm + (3) 20mm + (4) 15mm



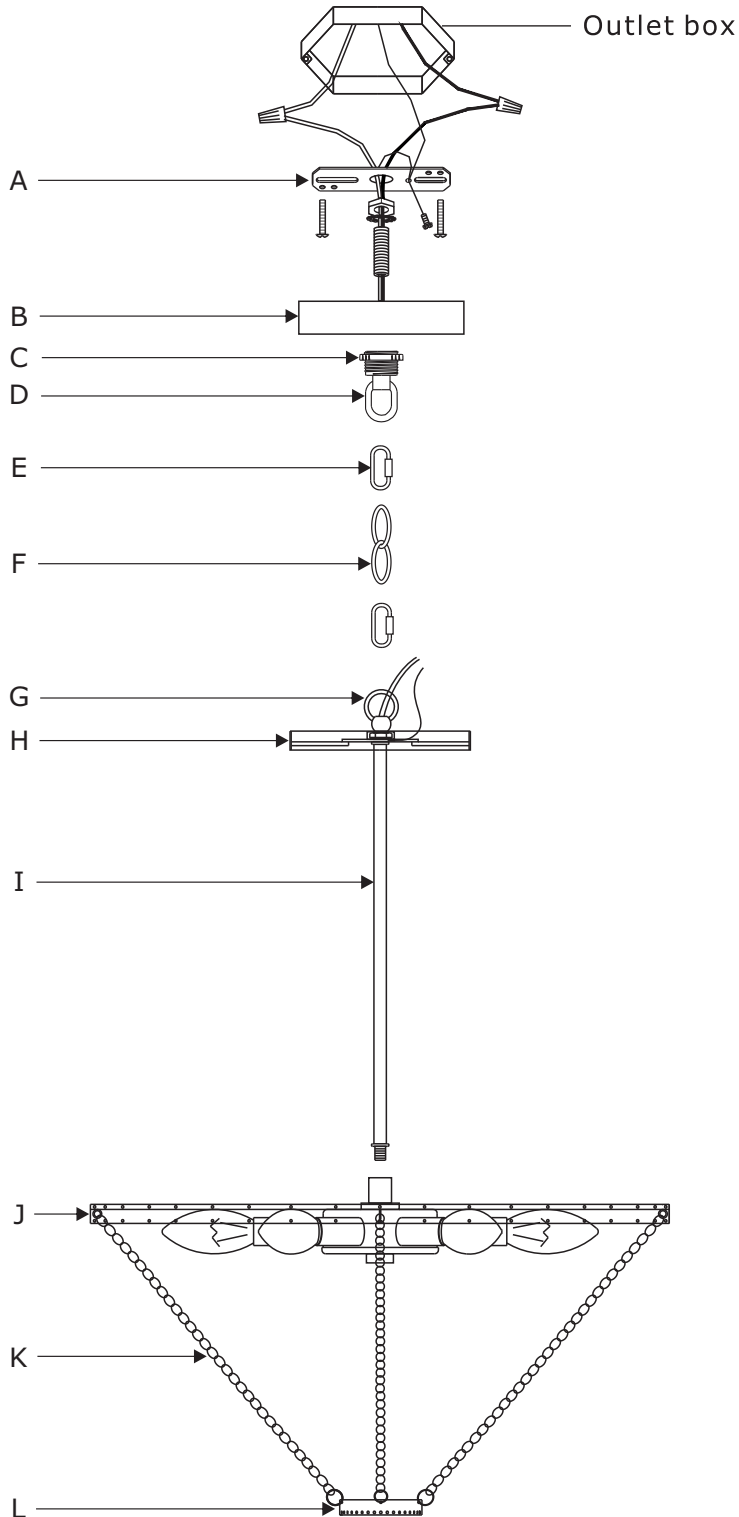
**⚠ WARNING:** This product can expose you to Lead, which is known to the State of California to cause cancer and/or birth defects or reproductive harm. For more information go to [www.P65Warnings.ca.gov](http://www.P65Warnings.ca.gov).

# CRYSTORAMA

LIGHTING THE WAY FOR SIXTY YEARS



PART NUMBER MODEL #BRI-3006-SA



## Part Number

- A. (1) - Mounting Hardware
- B. (1) - Canopy(W4.5", H1") #XRE3000SACAN4.5IN
- C. (1) - Collar Ring
- D. (1) - Collar Loop
- E. (2) - Quick Link
- F. (1) - Hanging Chain(72",4.0mm) #XRE3006SACHA4MM
- G. (1) - Fixture Loop
- H. (1) - Top Band Ring
- I. (1) - Center Stem(13.39",9.7mm)
- J. (1) - Middle Band Ring
- K. (4) - Small Chain(9.65",1.0mm) #XRE3006SADECHA9.65IN
- L. (1) - Bottom Band Ring