

# CRYSTORAMA

LIGHTING THE WAY FOR SIXTY YEARS

## ASSEMBLY INSTRUCTION MODEL #BOL-8889-PN

### WARNING

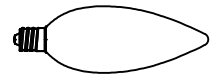


Electrical Danger



Turn Power Off

All electrical components must be installed by a licensed electrician in accordance with the National Electric Code and the appropriate local electrical codes.



You will need 12 - Cand. Bulb  
40 Watts Recommended 60 Watts Max  
USE LED BULBS FOR EXTENDED USE  
This fixture is DRY Rated.

### How to Install

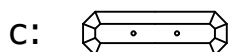
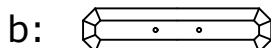
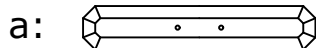
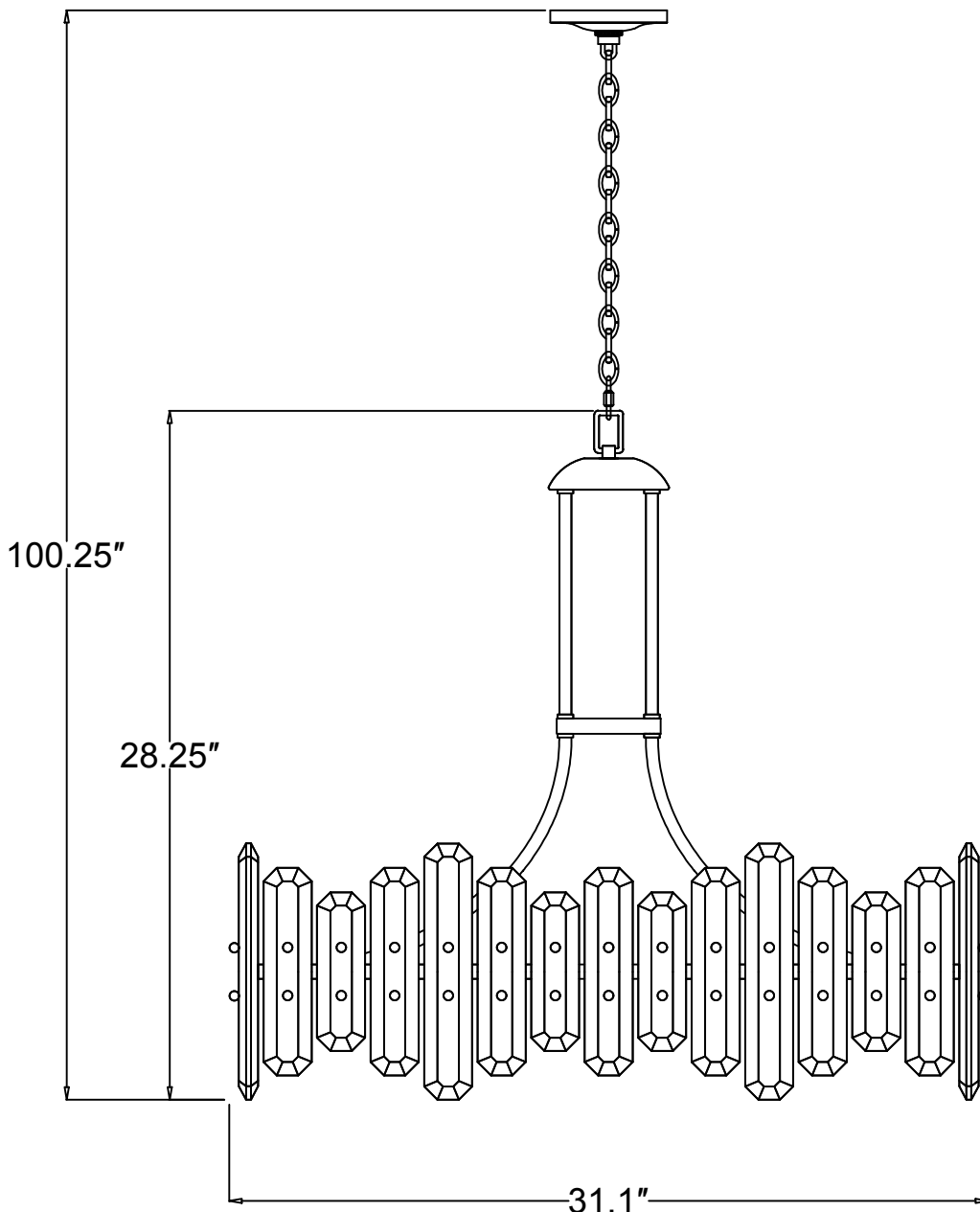
1. Put the Check Ring over the hex nut on top of wiring box.
2. Thread Rod onto the nipple.
3. Place the top metal plate over the rod and secure it with hex nut.
4. Pull the fixture wire through the hickey until taut and put the top cap over it and secure by fixture loop.
5. Secure the crystals to the fixture using the ball nuts.

### Installation of safety cable

1. Pass the long threaded pipe on the hickey through the center of outlet box. Attach it to the ceiling joist and secure it with nuts.
2. Feed wires and safety cable up through chain and the hole of screw collar loop. Have the wires and safety cable exit through the side of hickey.
3. Feed safety cable through the cable lock and coil it around the hickey twice. Then feed the cable through the lock again and tighten it with lock screw.
4. Continue to run safety cable through the top of outlet box and secure it to the ceiling joist.

### CRYSTAL SETS:

- a. 2"x0.8"x10.5"-9pcs
- b. 2"x0.8"x8.5"-18pcs
- c. 2"x0.8"x6.5"-9pcs



WARNING: This product can expose you to Lead, which is known to the State of California to cause cancer and/or birth defects or reproductive harm. For more information go to [www.P65Warnings.ca.gov](http://www.P65Warnings.ca.gov)

# CRYSTORAMA

LIGHTING THE WAY FOR SIXTY YEARS

PART NUMBER MODEL #BOL-8889-PN

## Part Number

### Part Numbers

- A. Mounting Hardware
  - (3) Wire Nut
  - (1) Hickey
  - (2) 1/4" IP NIPPLE
  - (4) Nut
  - (4) Flat Washer
  - (4) Spring Washer
- B. (1) Canopy;  $\phi 5.5 \times 1.2$ h; XMO8888PNCAN5.5IN
- C. (1) Screw Collar Loop
- D. (1) Collar Ring
- E. (2) Quick Link
- F. (1) Chain; 72"Lx  $\phi 5$ mmT; XMO8888PNCHA5MM
- G. (1) Top Loop
- H. Assembly Hardware
  - (1) Top Cap
  - (1) Top Metal Plate
  - (4) Hex Nut
- I. (4) Rod;  $\phi 0.5 \times 9$ h; XMO8889PNROD
- J. Assembly Hardware
  - (1) Wiring Box
  - (4) Check Ring
  - (4) Hex Nut
- K. (4) Arm;  $\phi 0.5$ "
- L. (12) Candle Sleeve;  $\phi 1 \times 2.8$ h
- M. (1) Bottom Ring
- N. (72) Ball Nut; XMO8883PNBANUT

