

CRYSTORAMA

LIGHTING THE WAY FOR SIXTY YEARS



Crystorama.com

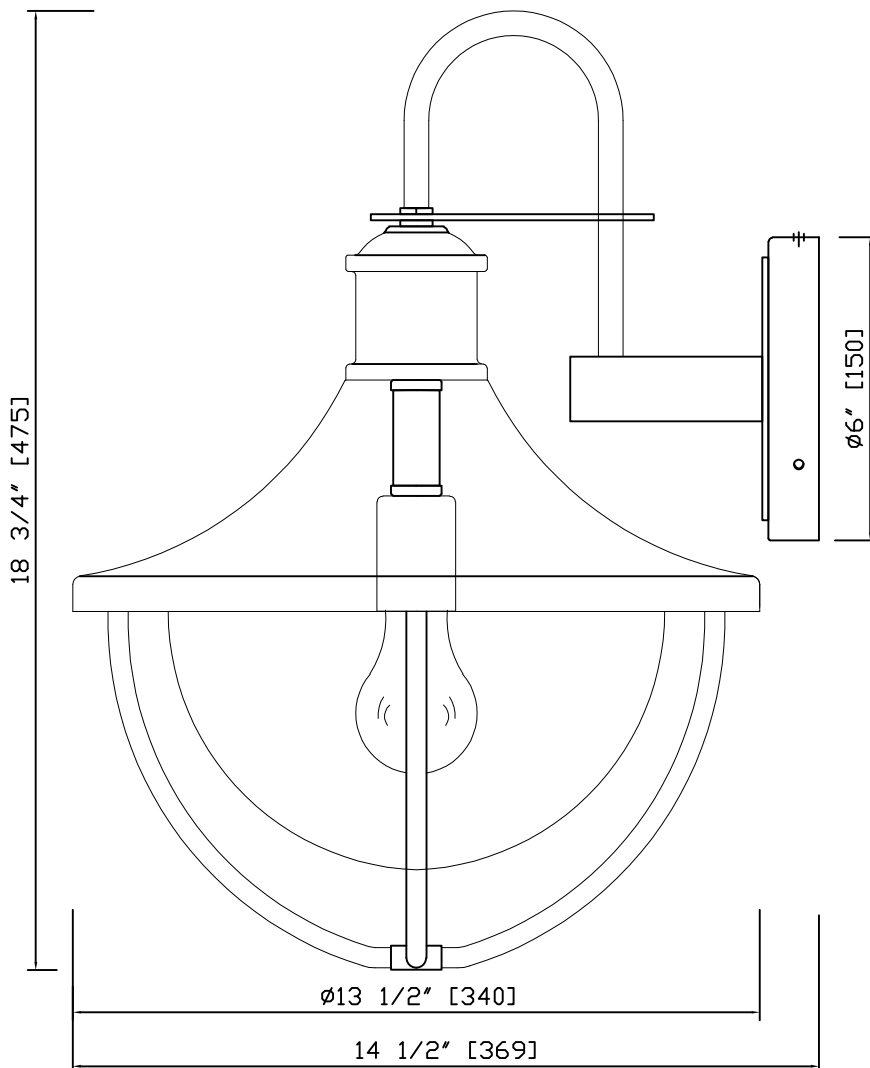
ASSEMBLY INSTRUCTION MODEL #ATL-702-MK-TG



All electrical components must be installed by a licensed electrician in accordance with the National Electric Code and the appropriate local electrical codes.



You will need 1- Med.Bulb
60 Watts Recommended 100Watts Max.
USE LED BULBS FOR EXTENDED USE
THIS FIXTURE IS WET RATED



How to Install

1. Remove the bottom frame from the top frame by loosening the 4 flat head screws.
2. Install the mounting plate onto the outlet box using the two outlet box screws.
3. Place the top frame over the mounting plate and secure with the screws.
4. Place the glass shade inside the bottom frame and secure with the clips.
5. Install the bulb onto the socket. Raise the bottom frame up to the top frame and align the holes on them. While one person hold the frame, the other person tightens the screws using a screwdriver(not provided)

WARNING: This product can expose you to Lead which is known to the state of California to cause cancer and/or birth defects or reproductive harm. For more information go to www.P65Warnings.ca.gov

CRYSTORAMA

LIGHTING THE WAY FOR SIXTY YEARS

ASSEMBLY INSTRUCTION MODEL #ATL-702-MK-TG

Part Number

Part Numbers

- A. (1)-Mounting hardware
- B. (1)-Top Frame
- C. (3)-Screws
- D. (1)-Light cluster
- E. (1)-White glass shade $\text{Ø}10'' \times \text{H}5.5''$
XAR700GLA10IN
- F. (1)-Bottom frame
- G. (4)-Flat head screws
- H (1)-Backplate $\text{Ø}6'' \times 1''$
XAR702MKTGBKP6IN

