

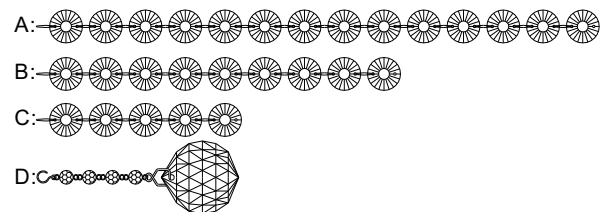
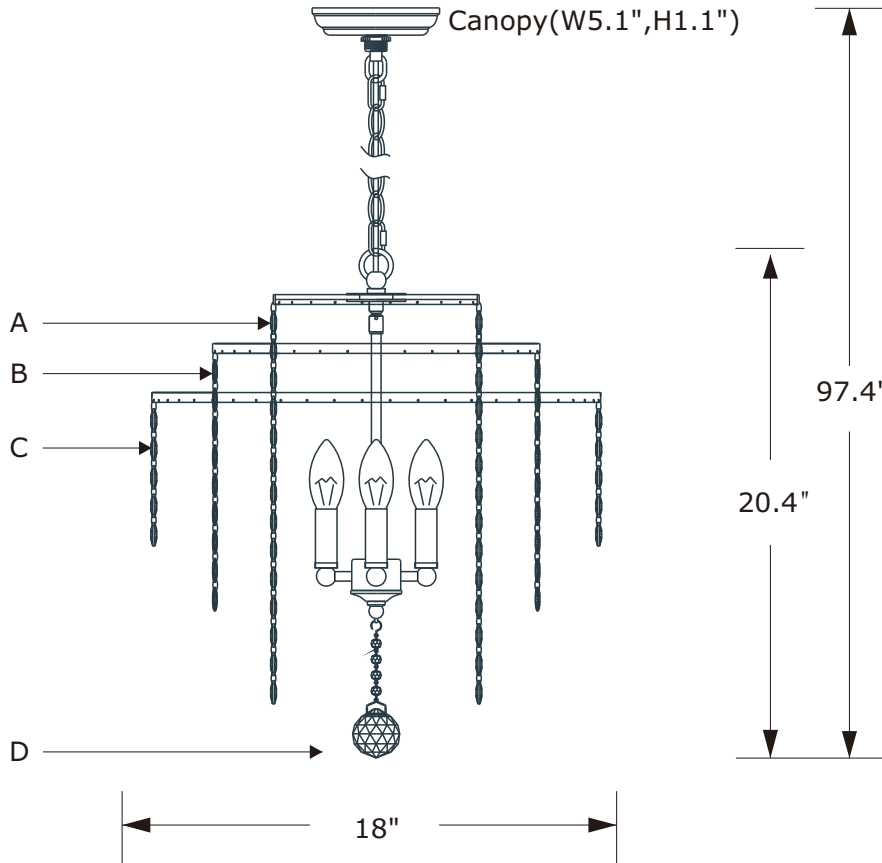
CRYSTORAMA

LIGHTING THE WAY FOR SIXTY YEARS



Crystorama.com

ASSEMBLY INSTRUCTION MODEL # ARI-304-SA-CL-MWP



WARNING:

Electrical Danger Turn Power Off

All electrical components must be installed by a licensed electrician in accordance with the National Electric Code and the appropriate local electrical codes.



You will need 4-Candelabra Base Bulb
40 Watts Recommended 60 Watts Max.

USE LED BULBS FOR EXTENDED USE

This fixture is DAMP rated

How to install

1. Do a complete inventory of all parts and components before you start installation.
2. Attach the center stem onto the wiring house.
3. Attach the top of the center stem onto the swivel.
4. Place the candle sleeve onto the socket and insert recommended bulb (not included).
5. Dress the fixture with crystal as illustrated.

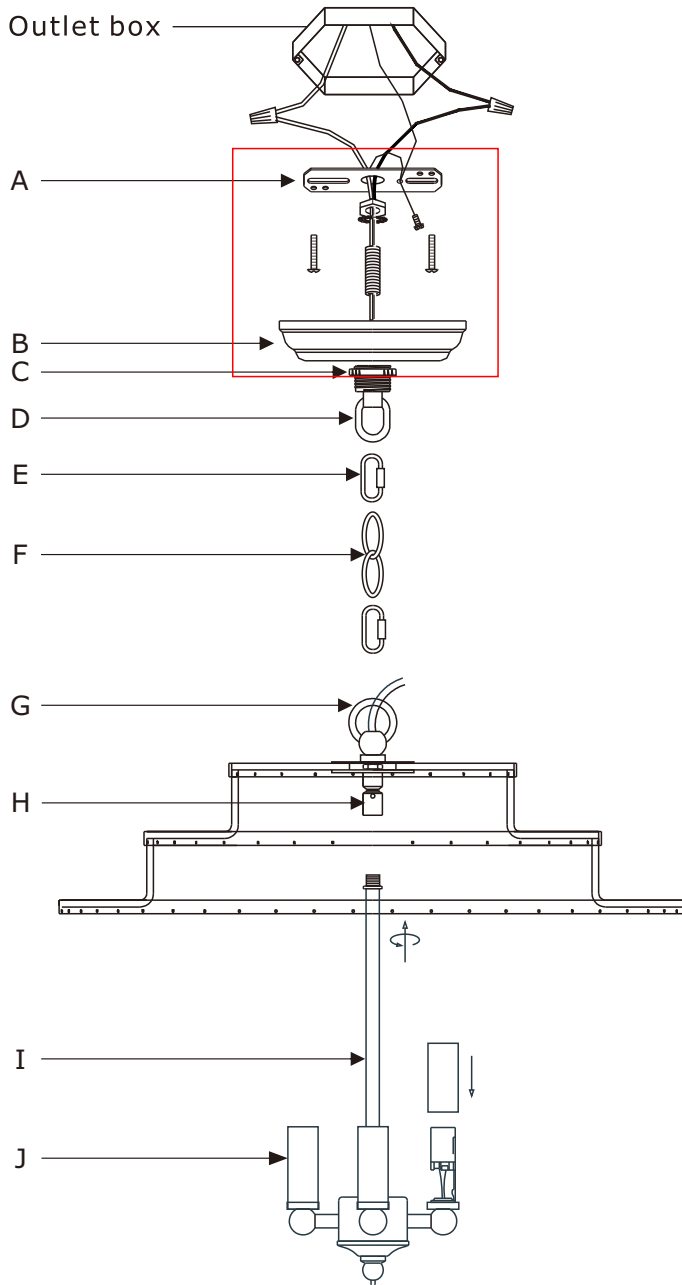
Bead Sets

- A.21 Sets (14)25mm
- B.36 Sets (9)25mm
- C.50 Sets (5)25mm
- D.1 Set (4)10mm + (1)50mm

⚠ WARNING: This product can expose you to Lead, which is known to the State of California to cause cancer and/or birth defects or reproductive harm. For more information go to www.P65Warnings.ca.gov.



PART NUMBER MODEL # ARI-304-SA-CL-MWP



Part Number

- A. (1) - Mounting Hardware
- B. (1) - Canopy(W5.1",H1.1") #XRE304SACAN5.1IN
- C. (1) - Collar Ring
- D. (1) - Collar Loop
- E. (2) - Quick Link
- F. (1) - Hanging Chain(72",4mm) #XRE304SACHA4MM
- G. (1) - Fixture Loop
- H. (1) - Swivel
- I. (1) - Center Stem(9.1", 9.5mm) #XRE304SASTEM9.1IN
- J. (6) - Candle Sleeve(W0.87",H1.97") #XRE304SACDL1.97IN