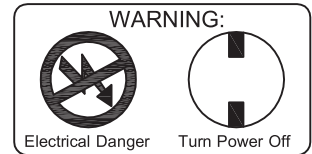
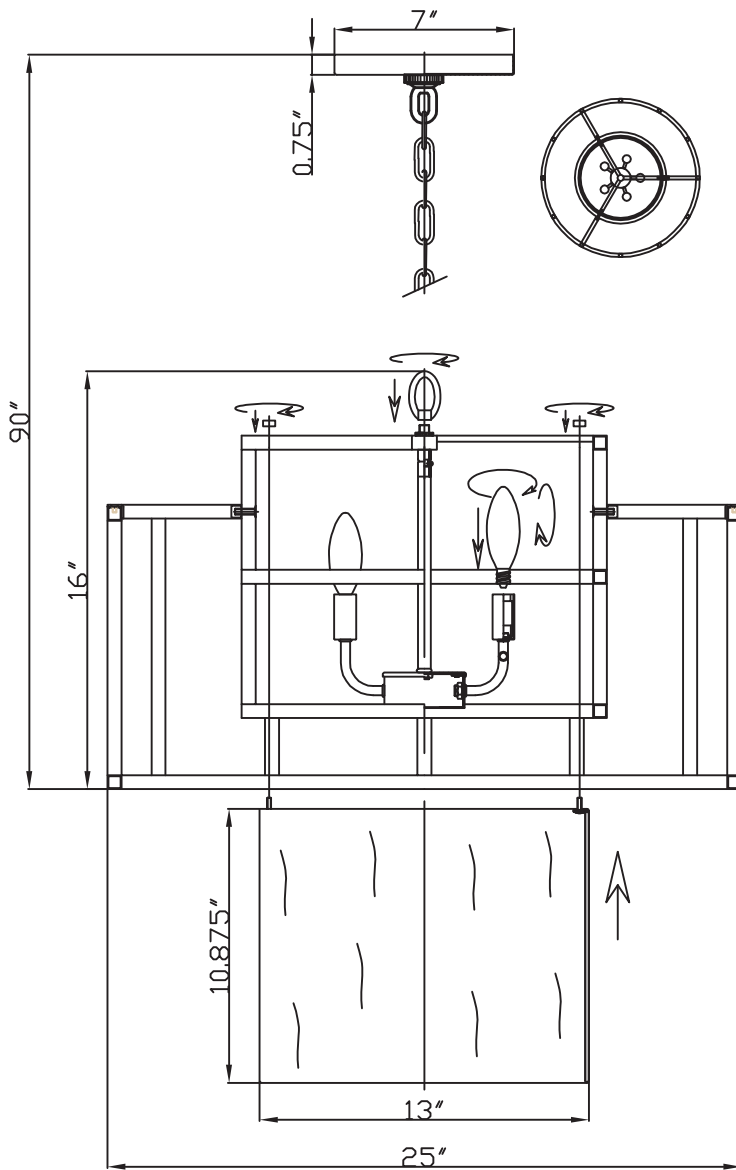


CRYSTORAMA

LIGHTING THE WAY FOR SIXTY YEARS

Crystorama.com

ASSEMBLY INSTRUCTION MODEL #9595-LG



WARNING:
All electrical components must be installed by a licensed electrician in accordance with the National Electric Code and the appropriate local electrical codes.



You will need 5 - Cand. Bulb

40 Watts Recommended

60 Watts Max

USE LED BULBS FOR EXTENDED USE

This fixture is dry rated

How to Install

1. Place the frame on a soft cloth covered table before installation.
2. Screw the loop onto the top of frame.
3. Attach the support bar onto the inner cage using M6 screws. Tighten the screws using a screwdriver.
4. Align the hole on support bar on inner cage with the hole on the top of outer cage. Secure with 8-32 screws.
5. Attach the shade onto the frame using a nut.
6. Attach the fixture to the chain using the top loop then mount the canopy to the ceiling.



WARNING: This product can expose you to Lead, which is known to the State of California to cause cancer and/or birth defects or reproductive harm. For more information go to www.P65Warnings.ca.gov

CRYSTORAMA

LIGHTING THE WAY FOR SIXTY YEARS

Crystorama.com

PART NUMBER MODEL #9595-LG

Part Number

Part Numbers

- A. (1)—Mounting Hardware
- B. (1)—Canopy; W7"XH0.75"; XAR9595LGCAN7IN
- C. (1)—Chain; 72"; 4.0mm; XAR9593LGCHA4MM
- D. (1)—Top Loop
- E. (1)—Inner Cage
- F. (3)—Nut
- G. (5)—Candle Sleeve; $\phi 0.75$ "X1.75"; XAR9593LGC DL1.75IN
- H. (5)—Socket
- I. (1)—Outer Cage
- J. (1)—Shade; $\phi 13$ "X10.875"; XAR9595LGSHA19.25IN
- K. (3)—Support bar
- L. (3)—8/32" Screw
- M. (3)—M6 Screw

