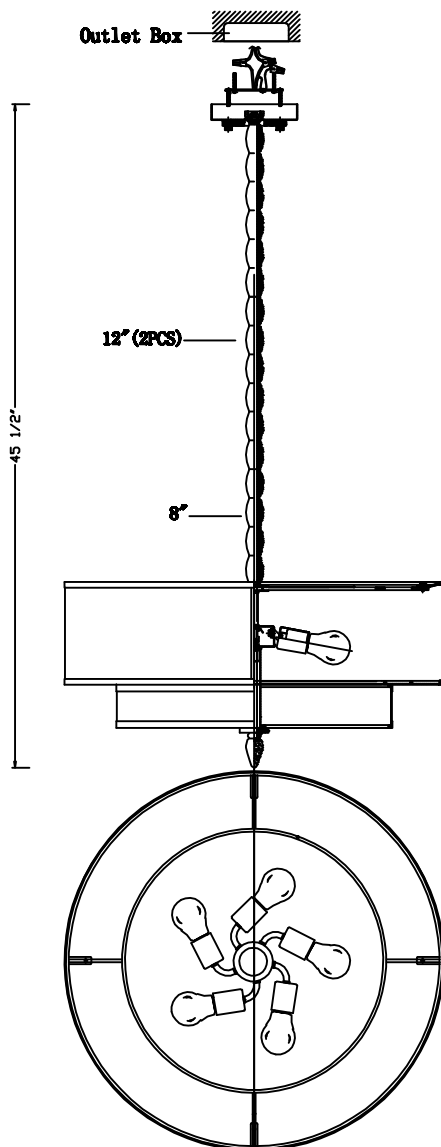
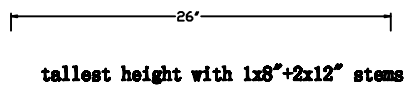
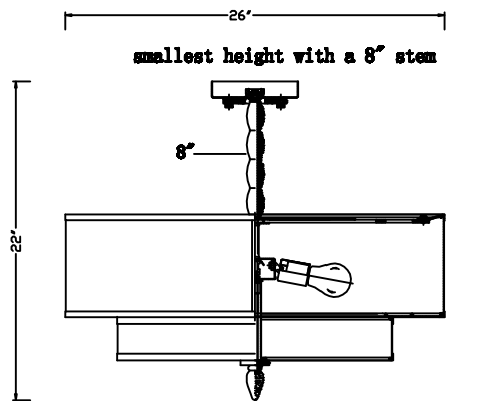


# CRYSTORAMA

LIGHTING THE WAY FOR SIXTY YEARS

## ASSEMBLY INSTRUCTION MODEL# 9507-AB



All electrical components must be installed by a licensed electrician in accordance with the National Electric Code and the appropriate local electrical codes.



You will need 5- Med. Bulb  
60 Watts Recommended .

USE LED BULBS FOR EXTENDED USE  
THE FIXTURE IS DRY RATED

## How to install

1. Select the correct number of hang rods A and B, depending on the desired hanging height. Pass the wire through the rods and screw them together.
2. Slide the poly plate, swivel ball and canopy over the rod assembly. Screw one end of the rod assembly onto the fixture frame and the other end onto the swivel ball.
3. Screw the threaded pipe onto the bottom of the fixture frame. Place the pipe cover and end cap over the threaded nipple and secure with the nut.
4. Install the mounting plate onto the outlet box. Raise the fixture up to the ceiling and do the wire connection. Raise the poly plate and canopy up along the rod and secure with ball nuts. Please make sure the nipple on the center hole of canopy leans against the slot on the swivel ball.
5. Install the bulb(not included) into the socket .
6. Place bottom shade and poly disc over the threaded pipe and secure with the final. Please make sure that the spokes on the bottom shade line up with the ones on the top shade when tightening the final.

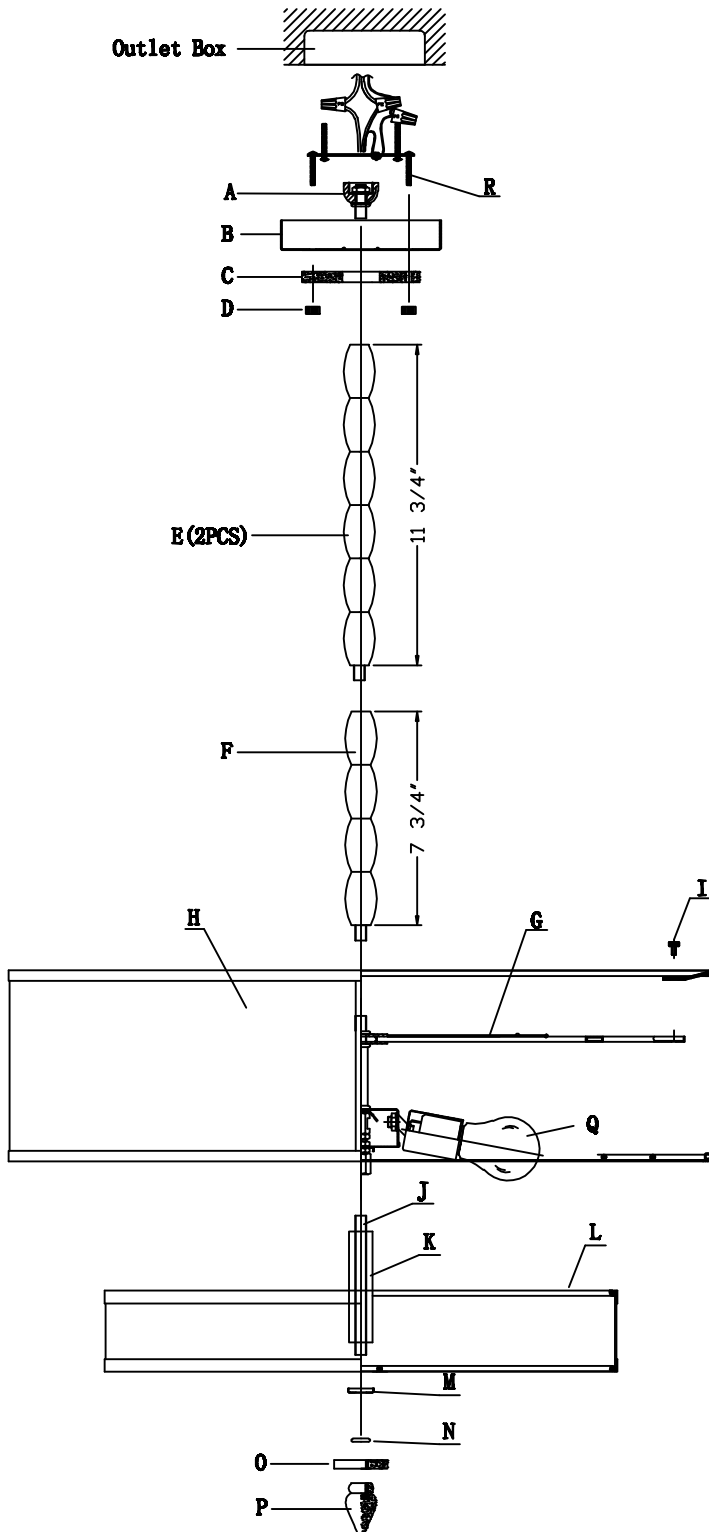
**WARNING:** This product can expose you to Lead which is known to the state of California to cause cancer and/or birth defects or reproductive harm. For more information go to [www.P85Warnings.ca.gov](http://www.P85Warnings.ca.gov)

# CRYSTORAMA

LIGHTING THE WAY FOR SIXTY YEARS

ASSEMBLY INSTRUCTION MODEL# 9507-AB

## Part Number



- A. (1)-Swivel Ball
- B. (1)-Canopy W6"xH0.8"(XNO9507ABCAN6IN)
- C. (1)-Poly Plate
- D. (2)-Ball Nut
- E. (2)-Hang Rods A;12"(XNO9507ABROD12IN)
- F. (1)-Hang Rods B;8"(XNO9507ABROD8IN)
- G. (1)-Fixture frame
- H. (1)-Upper Shade W26"xH7"(XNO9507ABSHA26IN)
- I. (4)-BALL Nut
- J. (1)-Threaded Pipe
- K. (1)-Metal Pipe Cover
- L. (1)-Bottom Shade W19"xH3"(XNO9507ABSHA19IN)
- M. (1)-End Cap
- N. (1)-Nut
- O. (1)-Poly Disc
- P. (1)-Finial W1.14"xH2.56"(XNO9505ABFIN)
- Q. (5)- Bulb(Not Included)
- R. (2)- Machine Screws