

CRYSTORAMA

LIGHTING THE WAY FOR SIXTY YEARS

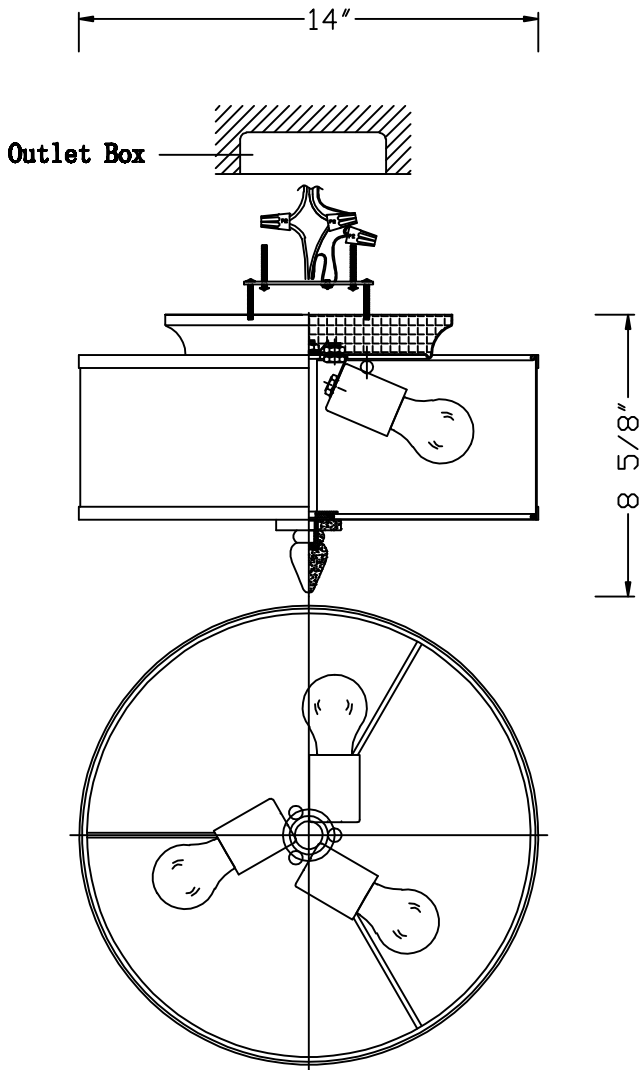
ASSEMBLY INSTRUCTION MODEL# 9503-AB



All electrical components must be installed by a licensed electrician in accordance with the National Electric Code and the appropriate local electrical codes.



You will need 3-Med. A15 Bulb
60 Watts Recommended.
Do NOT use a A19 bulb.
USE LED BULBS FOR EXTENDED USE
THE FIXTURE IS DRY RATED



How to install

1. Install the mounting plate to the outlet box using two outlet box screws.
2. Install backplate onto the mounting plate, and secure with the screws.
3. Install the bulb(not included) into the socket.
4. Tighten one end of the central tube assembly onto the canopy.
5. Insert the shade and poly plate and secure with the finial.

CRYSTORAMA

LIGHTING THE WAY FOR SIXTY YEARS

ASSEMBLY INSTRUCTION MODEL# 9503-AB

Part Number

- A. (1)-Canopy
- B. (1)-Central Tube Assembly
- C. (1)-Shade; W14"XH5"(XNO9503ABSHA14IN)
- D. (1)-Poly Plate
- E. (1)-Finial (XNO9503ABFIN)
- F. (2)-Ball Nuts
- G. (3)- Bulb(Not Included)
- H. (2)-Machine screws

