

# SHADES OF LIGHT



Crystorama.com

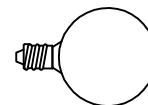
14001 Justice Road • Midlothian, Virginia 23113 • Phone (800) 262-6612 • Fax (804) 665-1465

SHADESOFLIGHT.COM

## MODEL#: 9267-GA ASSEMBLY AND DRESSING INSTRUCTIONS



All electrical components must be installed by a licensed electrician in accordance with the National Electric Code and the appropriate local electrical codes.

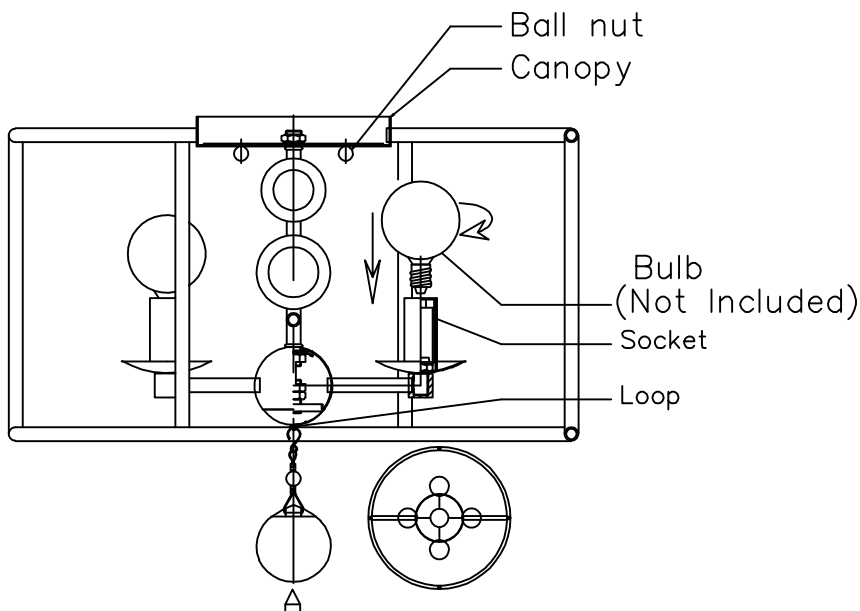
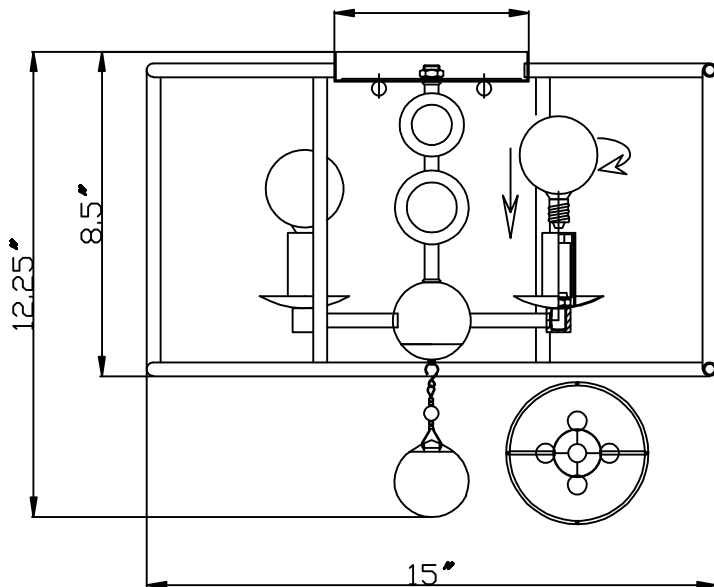


You will need 4 -Candelabra Bulb

40 Watts Recommended 60 Watts Max.

USE LED BULBS FOR EXTENDED USE

THIS FIXTURE IS DAMP RATED



### How to Install

1. Attach the canopy onto ceiling junction box and secure it with ball nut.
2. Install the bulb onto the socket (not included).
3. Hang the crystal drop to the loop.

### Crystal Key

- A. 1 Piece.(1)10mm ball+50mm ball.

A = (1X50mm Ball+10mm Ball)X1PC

**WARNING:** This product can expose you to Lead, which is known to the State of California to cause cancer and/or birth defects or reproductive harm. For more information go to [www.P65Warnings.ca.gov](http://www.P65Warnings.ca.gov).

# SHADES OF LIGHT



Crystorama.com

14001 Justice Road • Midlothian, Virginia 23113 • Phone (800) 262-6612 • Fax (804) 665-1465

SHADESOFLIGHT.COM

## MODEL#: 9267-GA ASSEMBLY AND DRESSING INSTRUCTIONS

### Part Number

- A. (1) - Mounting Hardware
- B. (1) - Canopy(W5",H0.75")#XRE9267GACAN5IN
- C. (2) - Ball Nut #XRE9267GABANUT
- D. (4) - Bulb(Not included)
- E. (4) - Candle sleeves(W0.25",H2") #XRE9267GACDL2IN
- F. (1) - Loop
- G. (1) - Crystal A #XRE9267CRYSTALA

