

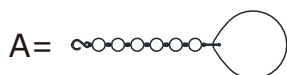
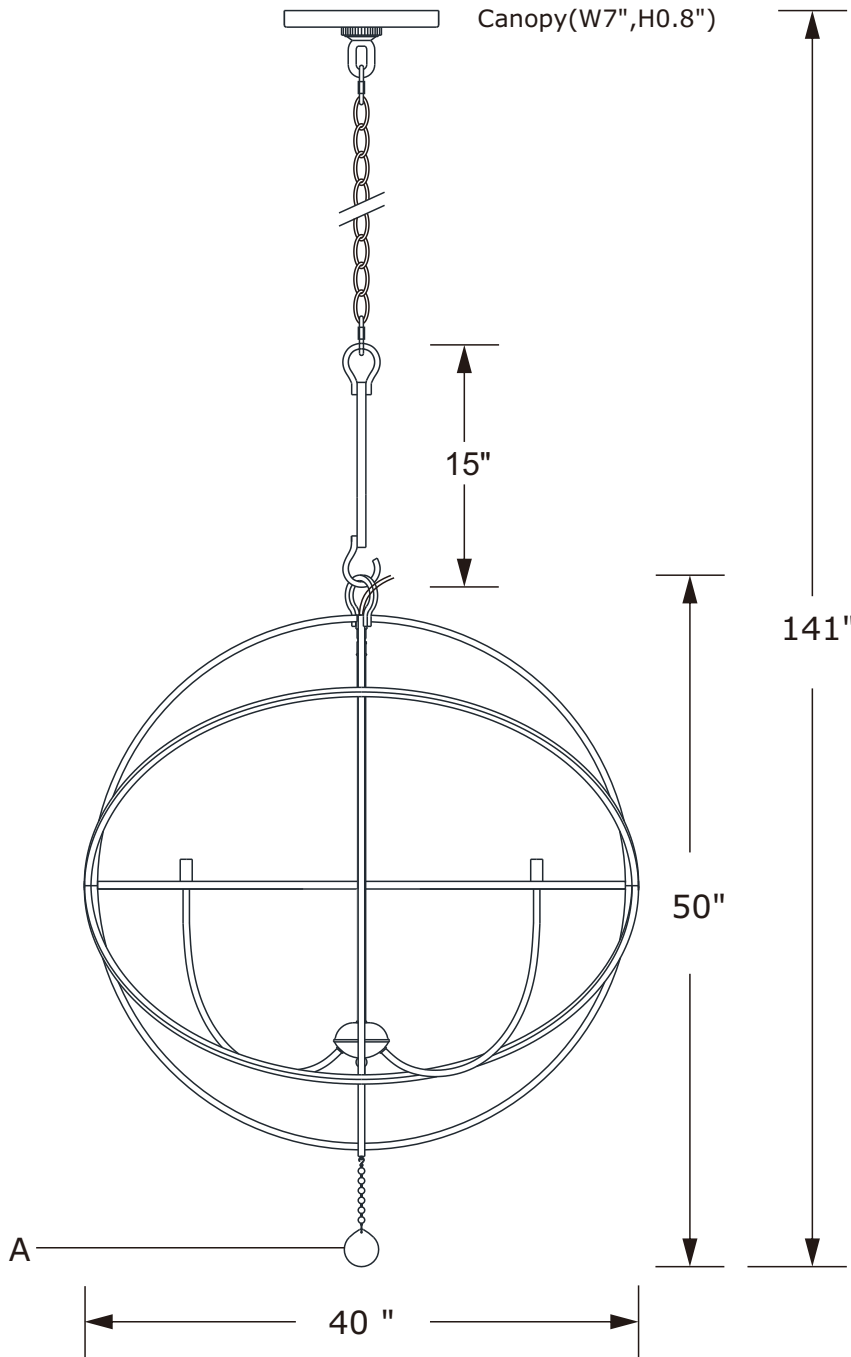
CRYSTORAMA

LIGHTING THE WAY FOR SIXTY YEARS



CRYSTORAMA

ASSEMBLY INSTRUCTION MODEL #9229-BK



6XØ10mm+1XØ63mm Ball

WARNING:

Electrical Danger Turn Power Off

All electrical components must be installed by a licensed electrician in accordance with the National Electric Code and the appropriate local electrical codes.



You will need 9 -Candelabra Base Bulb
40 Watts Recommended 60 Watts Max.
USE LED BULBS FOR EXTENDED USE
THIS FIXTURE IS DAMP RATED

How to Install

- 1.Screw the center stem onto the swivel on the top of upper frame and then screw the light cluster onto the center stem.
- 2.Attach the lower frame onto the upper frame by aligning the holes on the ring of each frame. Secure together with flat head screws. Make sure the sticker on the upper frame lines up with the sticker on the lower frame.
- 3.Place this candle sleeve over the socket and install the bulb onto the socket.
- 4.Hang the crystal ball on the bottom frame.

WARNING: This product can expose you to Lead, which is known to the State of California to cause cancer and/or birth defects or reproductive harm. For more information go to www.P65Warnings.ca.gov.

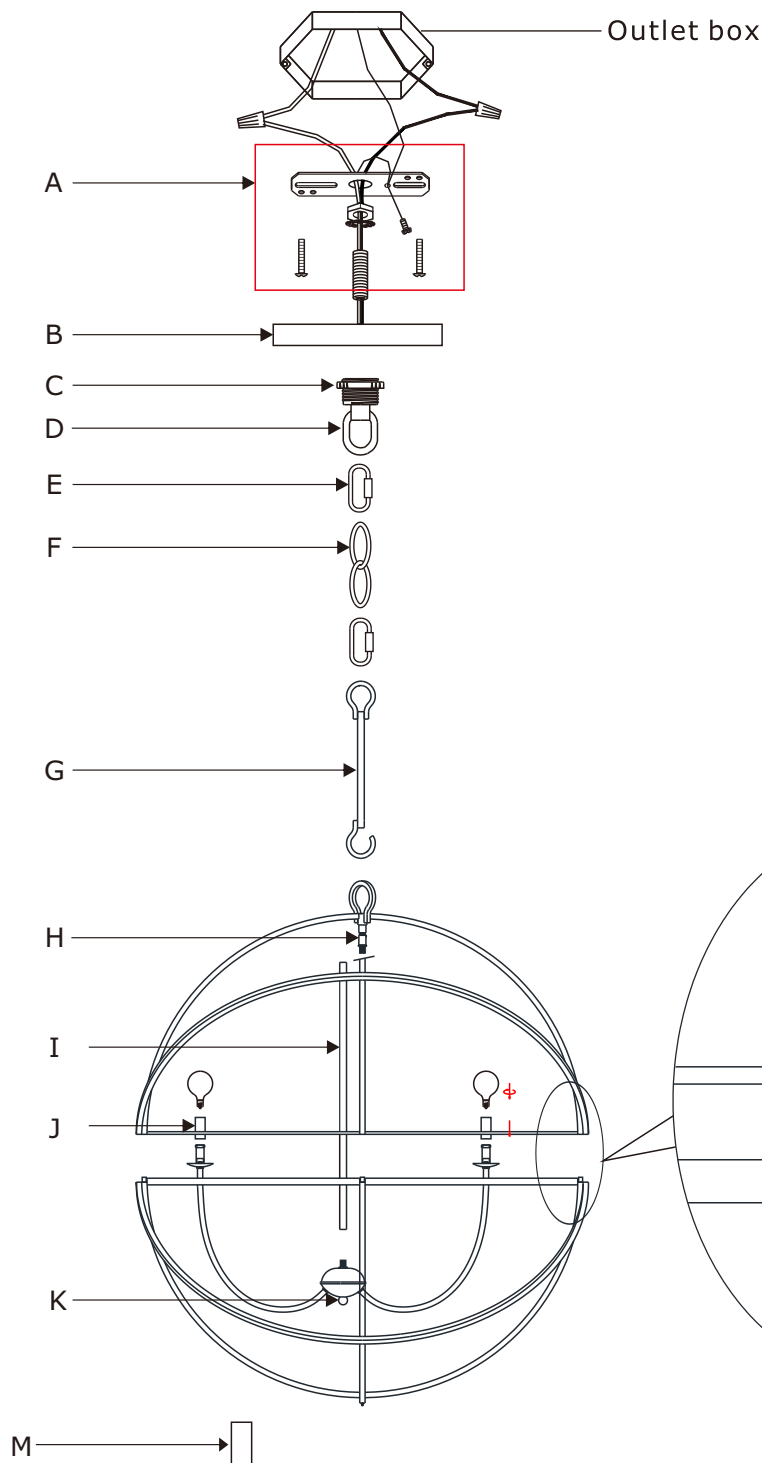
CRYSTORAMA

LIGHTING THE WAY FOR SIXTY YEARS



CRYSTORAMA

PART NUMBER MODEL # 9229-BK



Part Number

- A.(1) - Mounting Hardware
- B.(1) - Canopy(W7", H0.8") #XRE9229BKCAN7IN
- C.(1) - Collar Ring
- D.(1) - Collar Loop #X9220BKLOOP
- E.(2) - Quick Link
- F.(1) - Hanging Chain(72",4mm) #XRE9220BKCHA4MM
- G.(1) - Rod (15",15.9mm)#XRE9229BKROD15IN
- H.(1) - Swivel
- I.(1) - Center Stem(20.16",15.3mm) #XRE9229BKSTEM20.16IN
- J.(9) - Candle Sleeve(W0.87",H1.97") #XRE9224BKCDL1.97IN
- K.(1) - Final #XRE9220BKFIN
- L.(8) - Screw
- M.(9) - White Plastic Candle Sleeve (W0.87",H1.97") #XRE9224PCDL1.97IN

Please assemble according to letters.