

CRYSTORAMA

LIGHTING THE WAY FOR SIXTY YEARS

ASSEMBLY INSTRUCTION MODEL #9049-CZ

Note:
1. Please pull the fixture wire straight before securing the top fixture loop.

Fixture Loop

Knurled nut
Plate

Chain

Fixture Loop

Wire housing

Loop

Rods(KD)

48"

125"

Top Ring

SCREW

Bottom Ring

SCREW

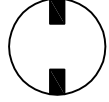
42"

Candle sleeves
Socket

WARNING:

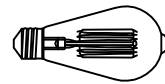


Electrical Danger



Turn Power Off

All electrical components must be installed by a licensed electrician in accordance with the National Electric Code and the appropriate local electrical codes.



You will need 33 - Med.Bulb

40 Watts Recommended

60 Watts Max

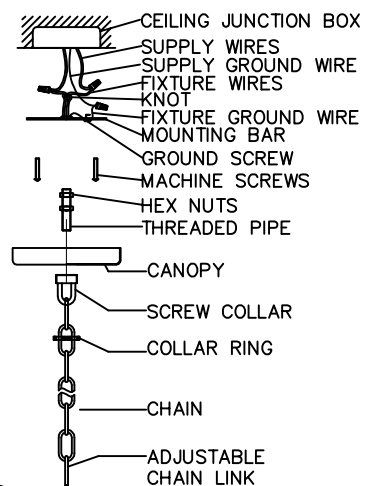
USE LED BULBS FOR EXTENDED USE

This fixture is DAMP rated

How to Install

1. Attach one end of the rods onto the bottom and top ring by screws.
2. Hang the other end of rods onto the loop on top wire housing.
3. Pull the fixture wire tautly and pass it through the hole on top plate and fixture loop.
4. Secure the top plate with knurled nut and fixture loop.

Drawing (1)

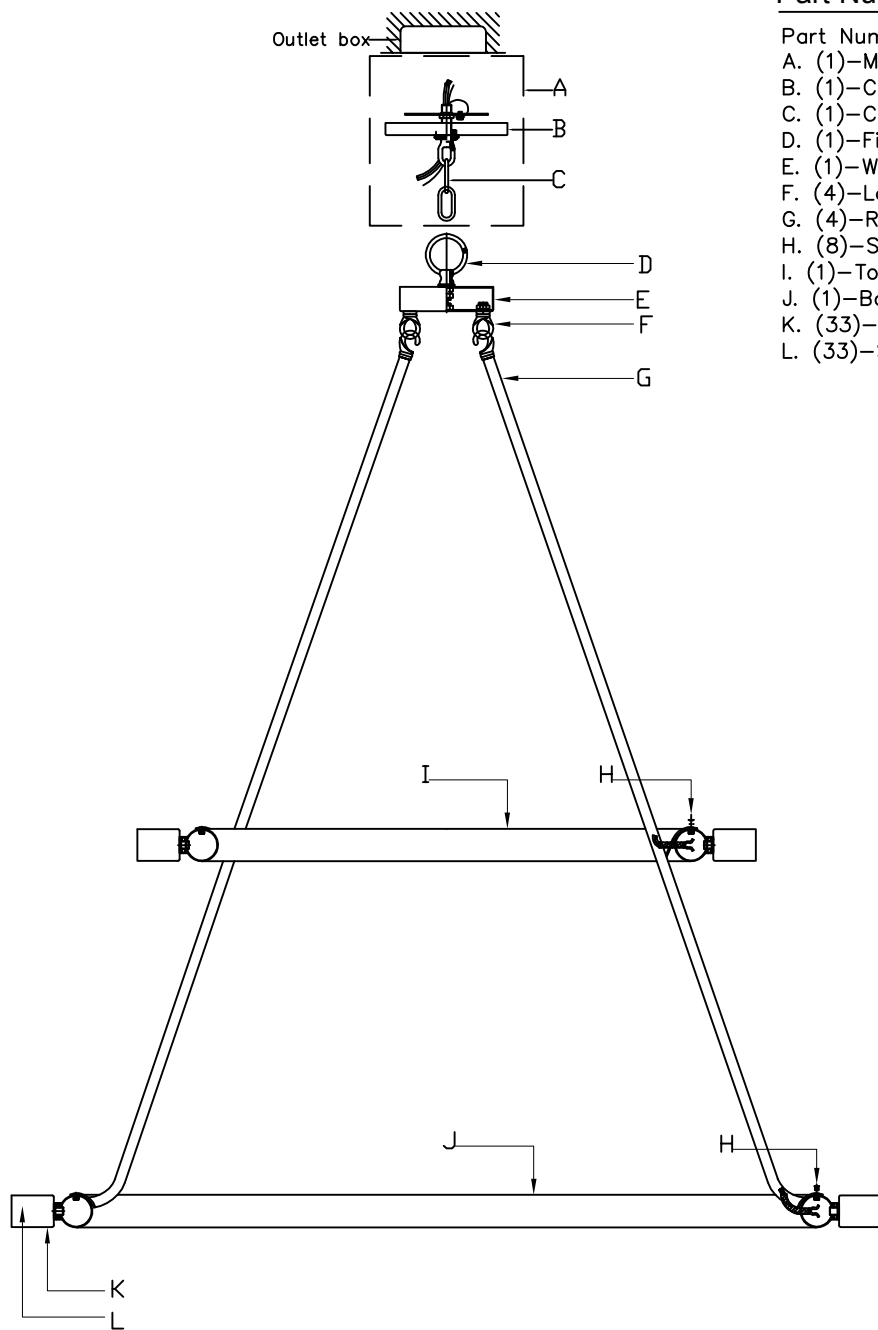


WARNING: This product can expose you to Lead, which is known to the State of California to cause cancer and/or birth defects or reproductive harm. For more information go to www.P65Warnings.ca.gov

CRYSTORAMA

LIGHTING THE WAY FOR SIXTY YEARS

PART NUMBER MODEL #9049-CZ



Part Number

Part Numbers

- A. (1)–Mounting hardware
- B. (1)–Canopy; W6"XH0.5"; XSU9045CZCAN6IN
- C. (1)–Chain; 72"; 5.5mm; XSU9049CZCHA5.5MM
- D. (1)–Fixture Loop
- E. (1)–Wire house
- F. (4)–Loop
- G. (4)–Rods; ϕ 0.5"XL45"; XSU9049CZROD45IN
- H. (8)–Screw
- I. (1)–Top Ring
- J. (1)–Bottom Ring
- K. (33)–Candle Sleeves; ϕ 0.75"X2"; XSU9043CZCDL2IN
- L. (33)–Socket