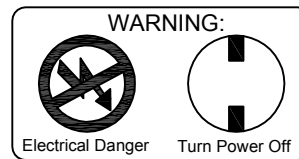


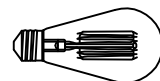
CRYSTORAMA

LIGHTING THE WAY FOR SIXTY YEARS

ASSEMBLY INSTRUCTION MODEL #9046-CZ



All electrical components must be installed by a licensed electrician in accordance with the National Electric Code and the appropriate local electrical codes.

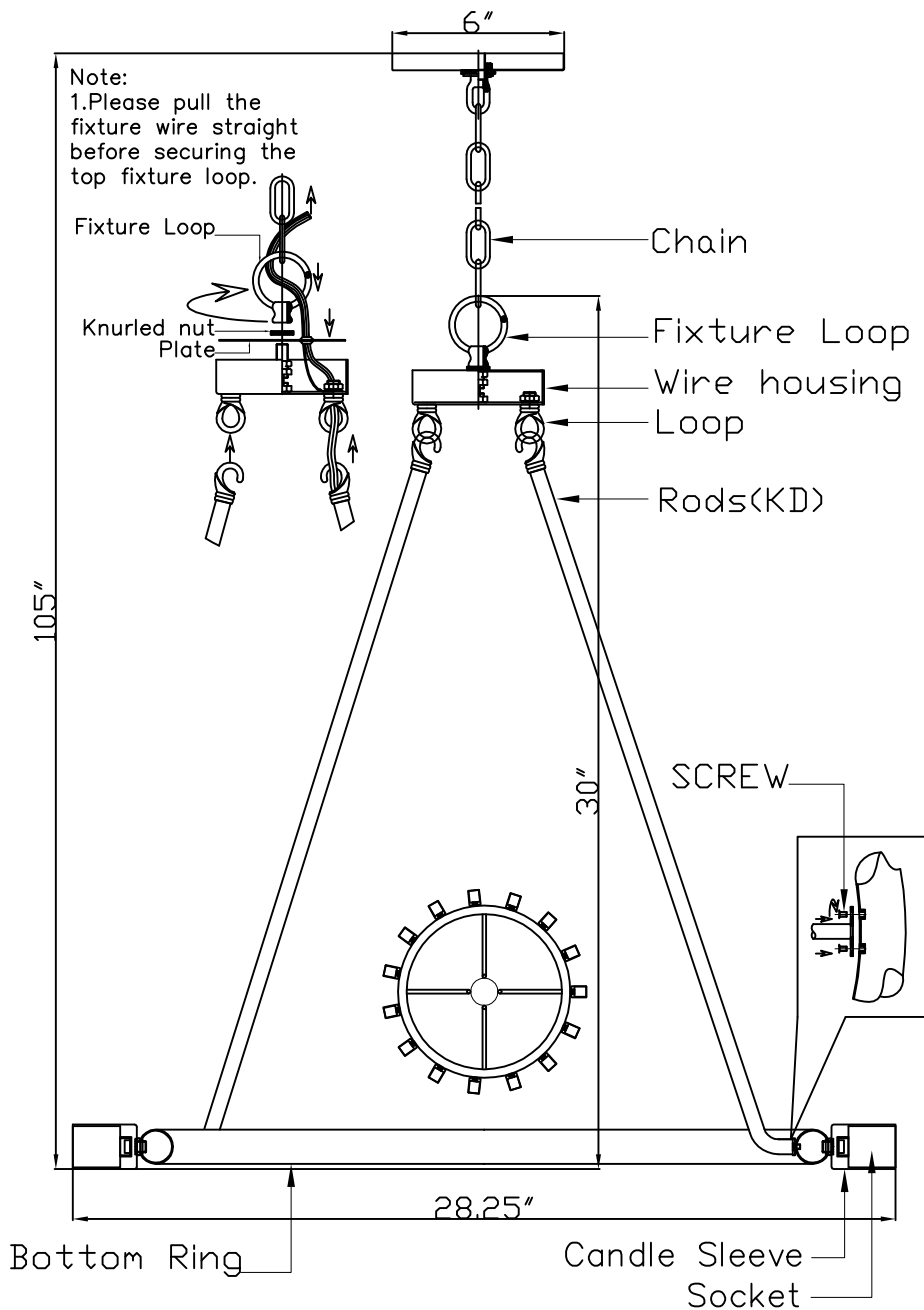


You will need 15 - Med. Bulb
40 Watts Recommended
60 Watts Max

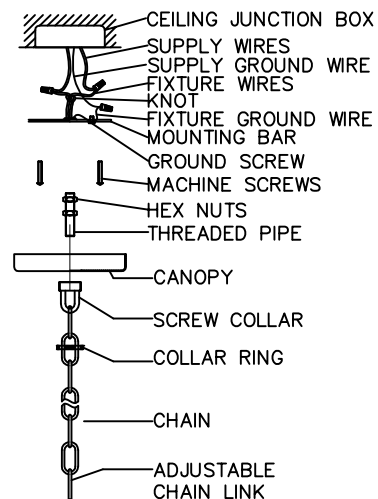
USE LED BULBS FOR EXTENDED USE
This fixture is DAMP rated

How to Install

1. Attach one end of the rods onto the bottom ring by screws.
2. Hang the other end of rods onto the loop on top wire housing.
3. Pull the fixture wire tautly and pass it through the hole on top plate and fixture loop.
4. Secure the top plate with knurled nut and fixture loop.



Drawing (1)

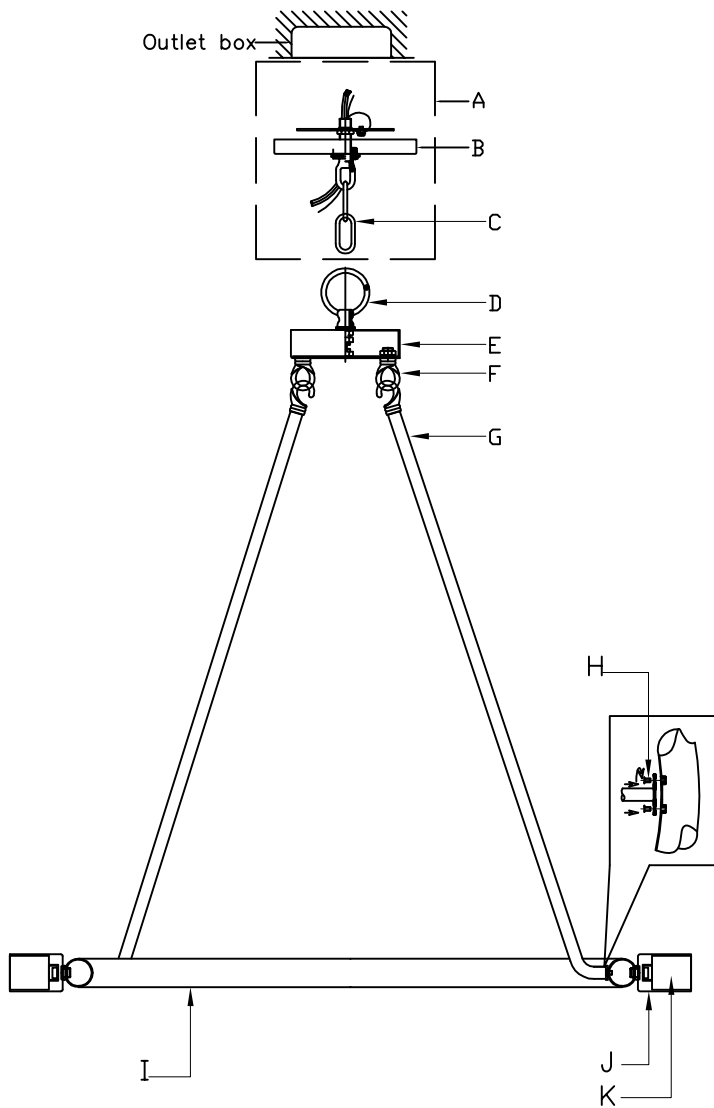


WARNING: This product can expose you to Lead, which is known to the State of California to cause cancer and/or birth defects or reproductive harm. For more information go to www.P65Warnings.ca.gov

CRYSTORAMA

LIGHTING THE WAY FOR SIXTY YEARS

PART NUMBER MODEL #9046-CZ



Part Number

Part Numbers

- A. (1)—Mounting hardware
- B. (1)—Canopy; W6"XH0.5"; XSU9045CZCAN6IN
- C. (1)—Chain; 72"; 4.0mm; XSU9045CZCHA4MM
- D. (1)—Fixture Loop
- E. (1)—Wire house
- F. (4)—Loop
- G. (4)—Rods; $\phi 0.5$ "XL26.5"; XSU9046CZROD26.5IN
- H. (4)—Screw
- I. (1)—Bottom Ring
- J. (15)—Candle Sleeves; $\phi 0.75$ "X2"; XSU9043CZCDL2IN
- K. (15)—Socket