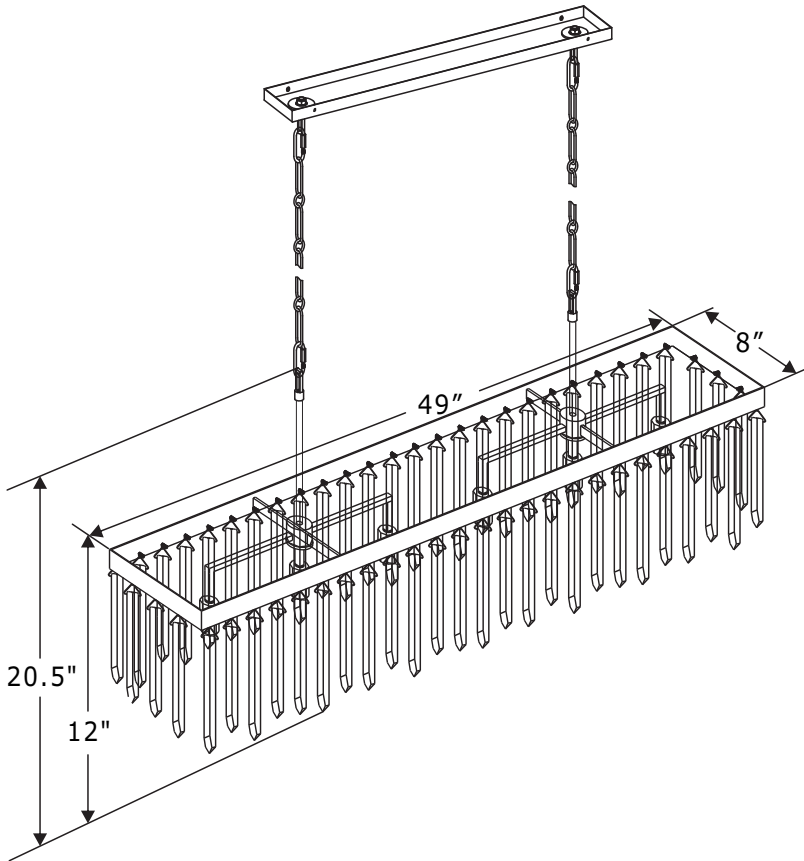


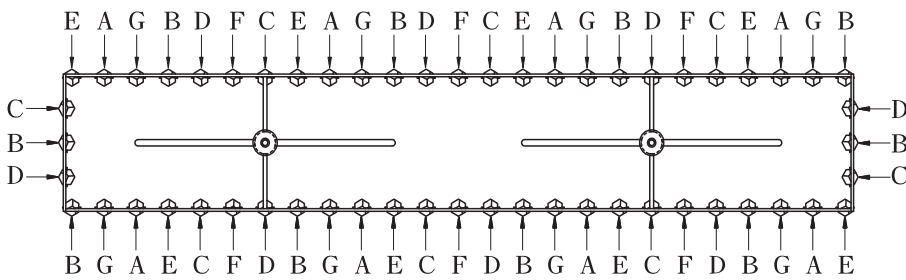
CRYSTORAMA

LIGHTING THE WAY FOR SIXTY YEARS

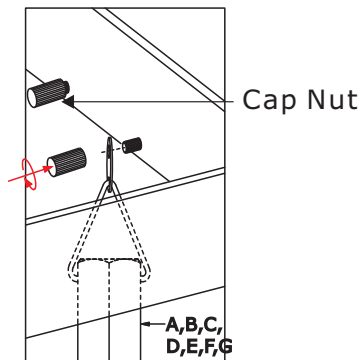
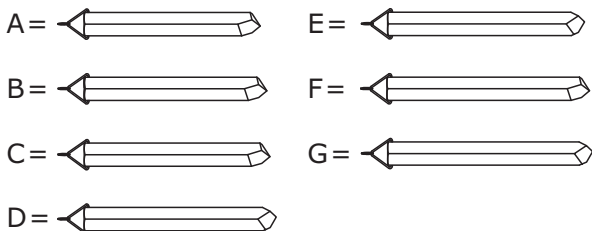
ASSEMBLY INSTRUCTION MODEL #8407-FB



DETAILED ILLUSTRATION



SUGGESTED DRESSING
TOP VIEW



All electrical components must be installed by a licensed electrician in accordance with the National Electric Code and the appropriate local electrical codes.



You will need 6-Candelabra Base Bulb
40 Watts Recommended 60 Watts Max.
USE LED BULBS FOR EXTENDED USE

How to install the mounting plate

1. Put the mounting plate over the outlet box and mark two points on the wall at the center of key holes.
2. Drill the holes at the marked points and insert the wall anchor inside the hole drilled.
3. Place the mounting plate over the outlet box and insert the wall anchor screws inside the wall anchors in the wall and tighten it.

How to install

1. There are two hanging rods. Connect one to the left side cluster and the second to the right side cluster.
2. Insert recommended bulbs (not included).
3. Dress the crystal drops as illustrated.

Crystal Sets

A. 8 Pieces 219mm	E. 8 Pieces 245mm
B. 10 Pieces 227mm	F. 6 Pieces 252mm
C. 8 Pieces 231mm	G. 8 Pieces 255mm
D. 8 Pieces 239mm	

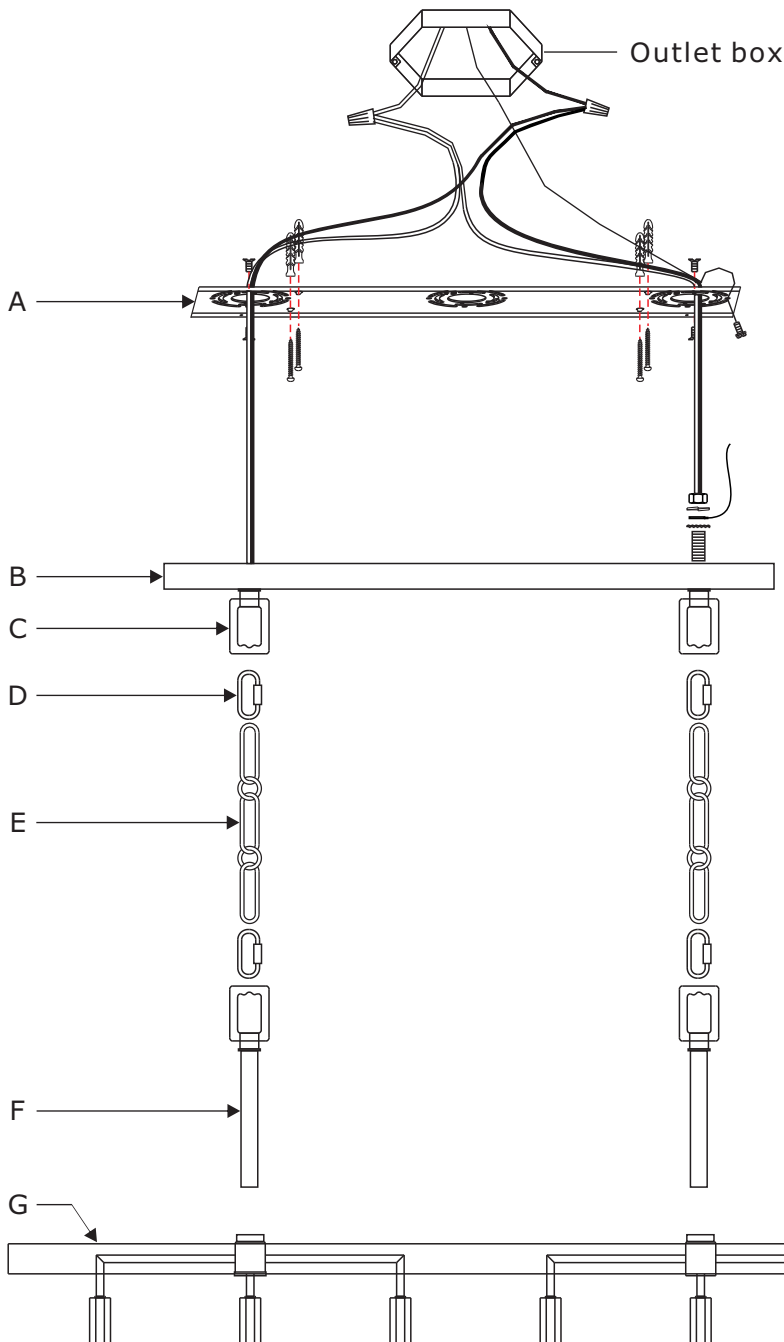
WARNING: This product can expose you to Lead, which is known to the State of California to cause cancer and/or birth defects or reproductive harm. For more information go to www.P65Warnings.ca.gov.

CRYSTORAMA

LIGHTING THE WAY FOR SIXTY YEARS

PART NUMBER MODEL #8407-FB

Part Number



A. (1) - Mounting Hardware

Includes:

(1) - Mounting Plate

(4) - Wall Anchors

(4) - Anchor Screws

(3) - Wire Nuts

B. (1) - Canopy(L27.95",W4.33",H0.98") #XRE8407FBCAN27.95IN

C. (4) - Fixture Loop

D. (4) - Quick Link

E. (2) - Hanging Chain(each72",5mm) #XRE8407FBCHA5MM

F. (2) - Hanging Rod(5.91",12.7mm) #XRE8407FBROD5.91IN

G. (1) - Metal Frame