

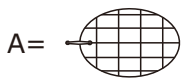
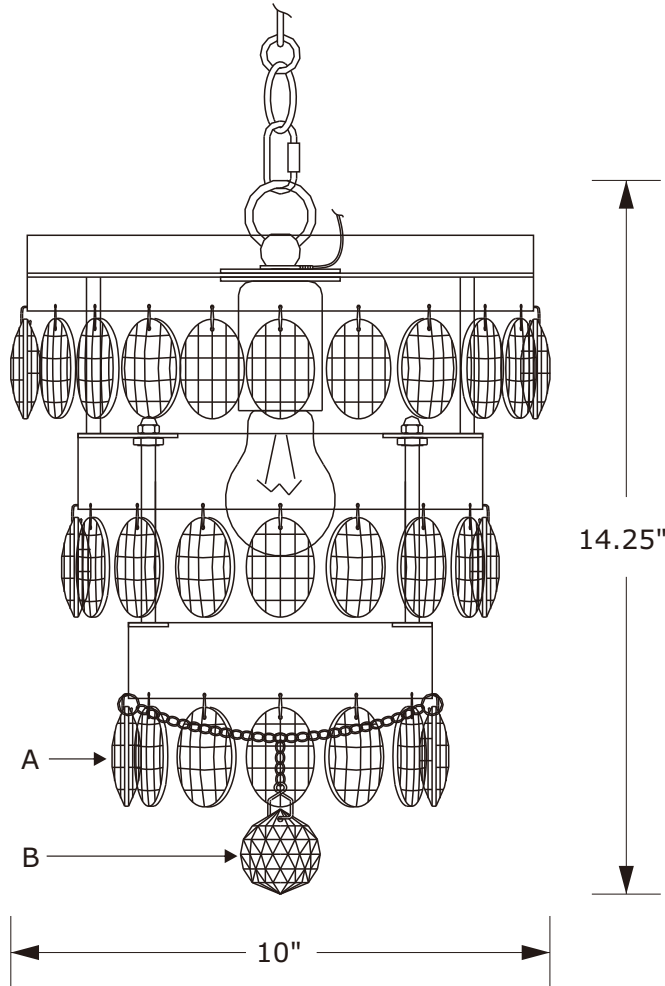
CRYSTORAMA

LIGHTING THE WAY FOR SIXTY YEARS

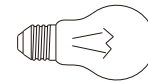


Crystorama.com

ASSEMBLY INSTRUCTION MODEL #6103-GA



All electrical components must be installed by a licensed electrician in accordance with the National Electric Code and the appropriate local electrical codes.



You will need 1-Medium Bulb
60 Watts Recommended 100 Watts Max.

USE LED BULBS FOR EXTENDED USE
THIS FIXTURE IS DAMP RATED

How to Install

- 1.Put the lower frame onto the upper frame by inserting the threaded rods into the holes and secure with ball nuts.
- 2.Insert recommended bulb (not included).
- 3.Dress the crystal A and crystal B.

Crystal Sets

A.48 Pieces.
2"Cut Crystal

B. 1 Set.
2"Small Chain +
1.5"Cut Crystal Ball

WARNING: This product can expose you to Lead, which is known to the State of California to cause cancer and/or birth defects or reproductive harm. For more information go to www.P65Warnings.ca.gov.

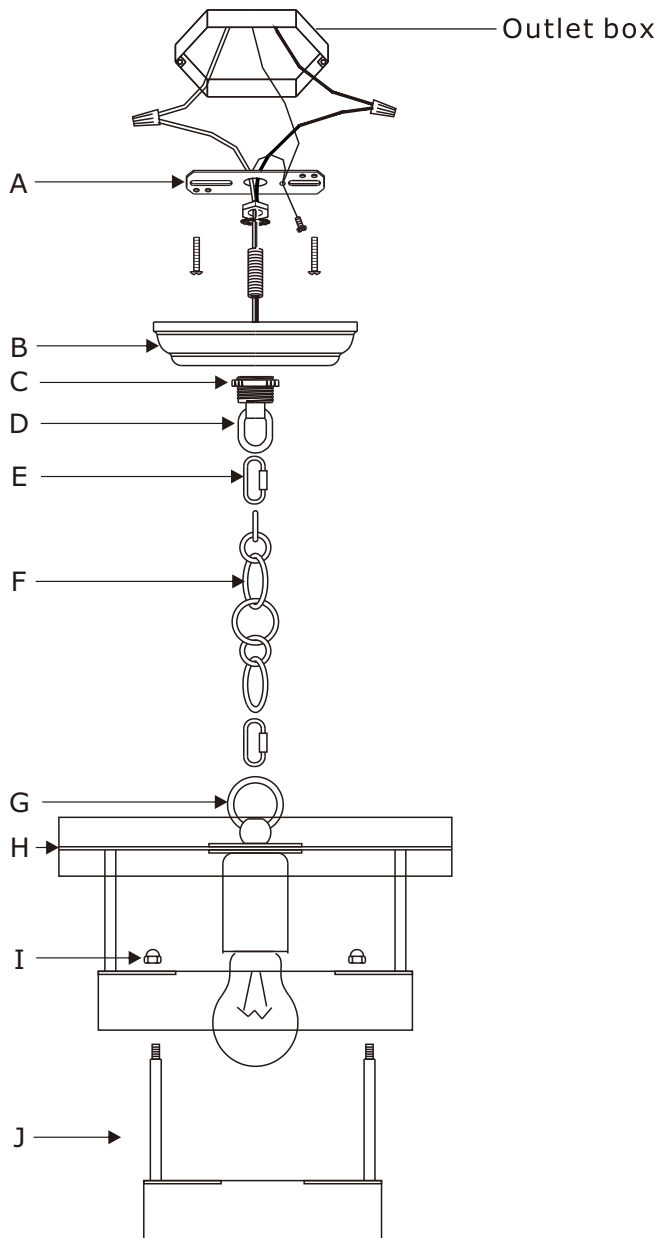
CRYSTORAMA

LIGHTING THE WAY FOR SIXTY YEARS



Crystorama.com

PART NUMBER MODEL #6103-GA



Part Number

- A. (1) - Mounting Hardware
- B. (1) - Canopy(W5.25", H1")#XRE6103GACAN5.25IN
- C. (1) - Collar Ring
- D. (1) - Collar Loop
- E. (2) - Quick Link
- F. (1) - Hanging Chain(72",4mm) #XRE6103GACHA4MM
- G. (1) - Fixture Loop
- H. (1) - Upper Frame
- I. (3) - Ball Nut #XRE6108GABANUT
- J. (1) - Lower Frame