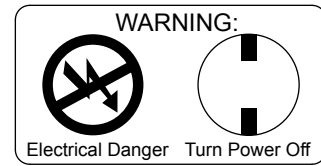
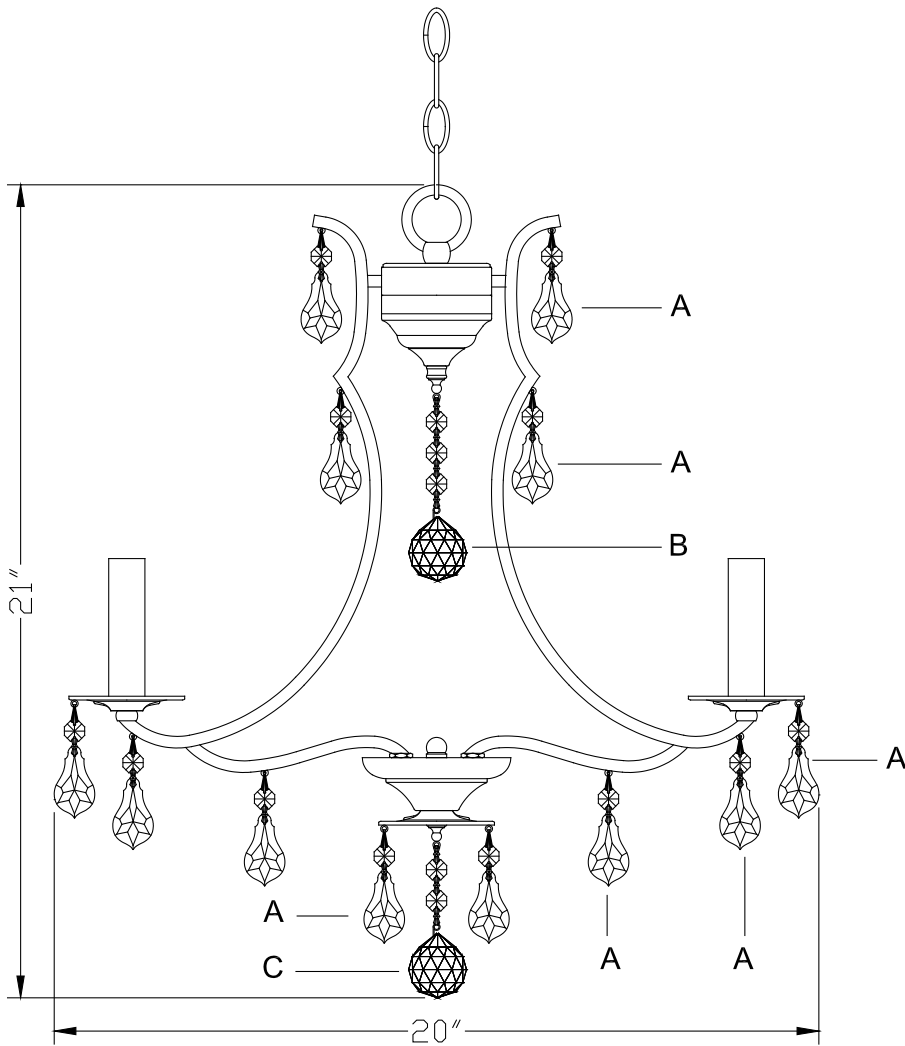


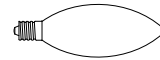
CRYSTORAMA

LIGHTING THE WAY FOR SIXTY YEARS

ASSEMBLY INSTRUCTION MODEL #5935-CH-CL-MWP



All electrical components must be installed by a licensed electrician in accordance with the National Electric Code and the appropriate local electrical codes.



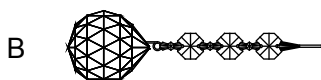
You will need 5-Candelabra Base Bulb

40Watts Recommended 60 Watts Max.

USE LED BULBS FOR EXTENDED USE

How to Install

1. Do a complete inventory of all parts and components before you start installing
2. Adjust each arm until they are at equal distance from one another. Then place the metal cap over the top end of the arms, securing them all by tightening the cap down with the loop.
3. After safely attaching fixture into outlet box, install candle sleeve, bulbs and proceed to connecting the power.
4. When you begin to dress the fixture, start with packet labeled (A)
5. **IMPORTANT:** Apply crystal sets in alphabetical order



Crystal Sets

A. (14mm+50mm)x44sets

B. (14mmx3pcs+40mm ball)x1set

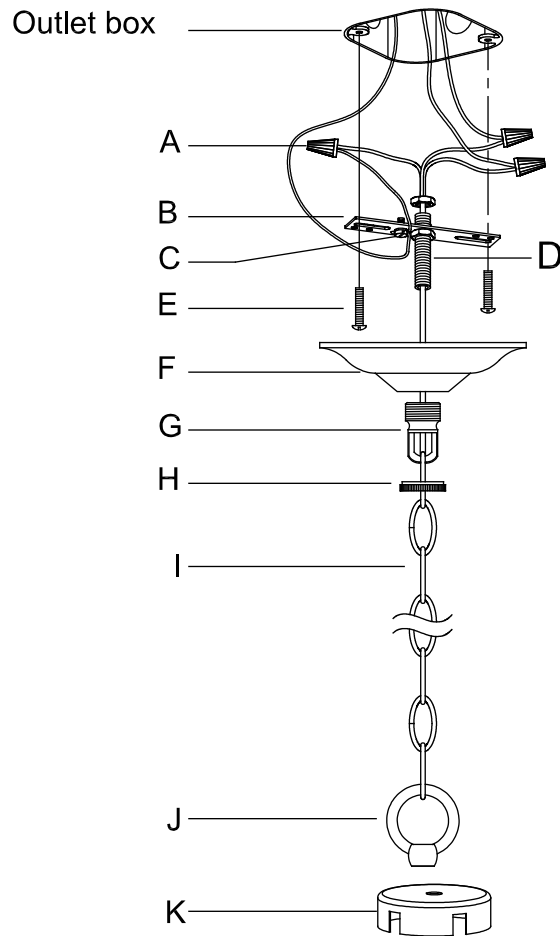
C. (14mmx2pcs+40mm ball)x1set

WARNING: This product can expose you to Lead, which is known to the State of California to cause cancer and/or birth defects or reproductive harm. For more information go to www.P65Warnings.ca.gov

CRYSTORAMA

LIGHTING THE WAY FOR SIXTY YEARS

ASSEMBLY INSTRUCTION MODEL #5935-CH-CL-MWP



Part Number

Part Numbers

- A. (3)-Wire Connector
- B. (1)-Mounting Plate
- C. (1)-Ground Screw
- D. (1)-Nipple
- E. (2)-Outlet Box Screws
- F. (1)-Canopy (W5.29" xH1.25") XEH5933CHCAN5.29IN
- G. (1)-Collar Loop
- H. (1)-Collar Ring
- I. (1)-Chain; 72", 4mm XEH5933CHCHA4MM
- J. (1)-Loop
- K. (1)-Metal cap XEH5935CHMCAP
- L. (1)-Frame
- M. (5)-Metal Sleeve (H4") XEH5932CHMCDL4IN
- N. (5)-Plastic Sleeve (H4") XEH5932CHPCDL4IN

