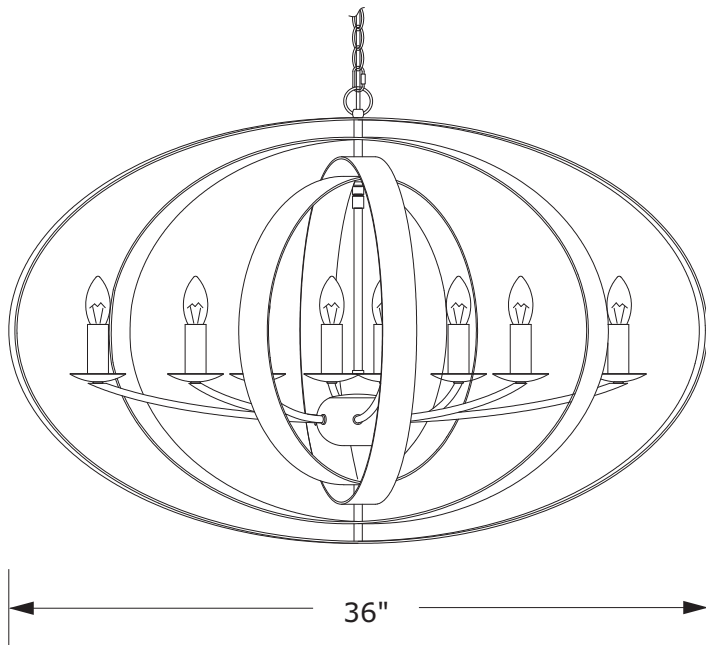


# CRYSTORAMA

LIGHTING THE WAY FOR SIXTY YEARS

## ASSEMBLY INSTRUCTION MODEL #588-MT-GA



All electrical components must be installed by a licensed electrician in accordance with the National Electric Code and the appropriate local electrical codes.

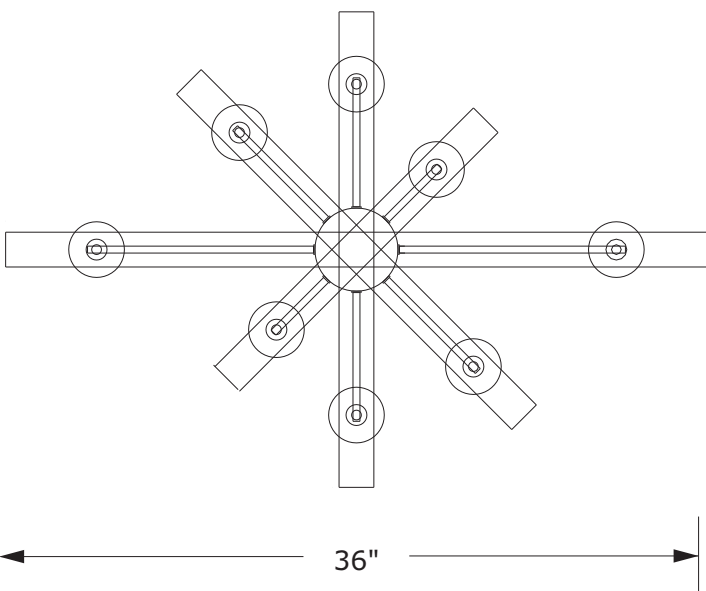


You will need 8 - Candelabra Base Bulb

40 Watts Recommended 60 Watts Max.

USE LED BULBS FOR EXTENDED USE

THIS FIXTURE IS DAMP RATED



Top View

### How to Install

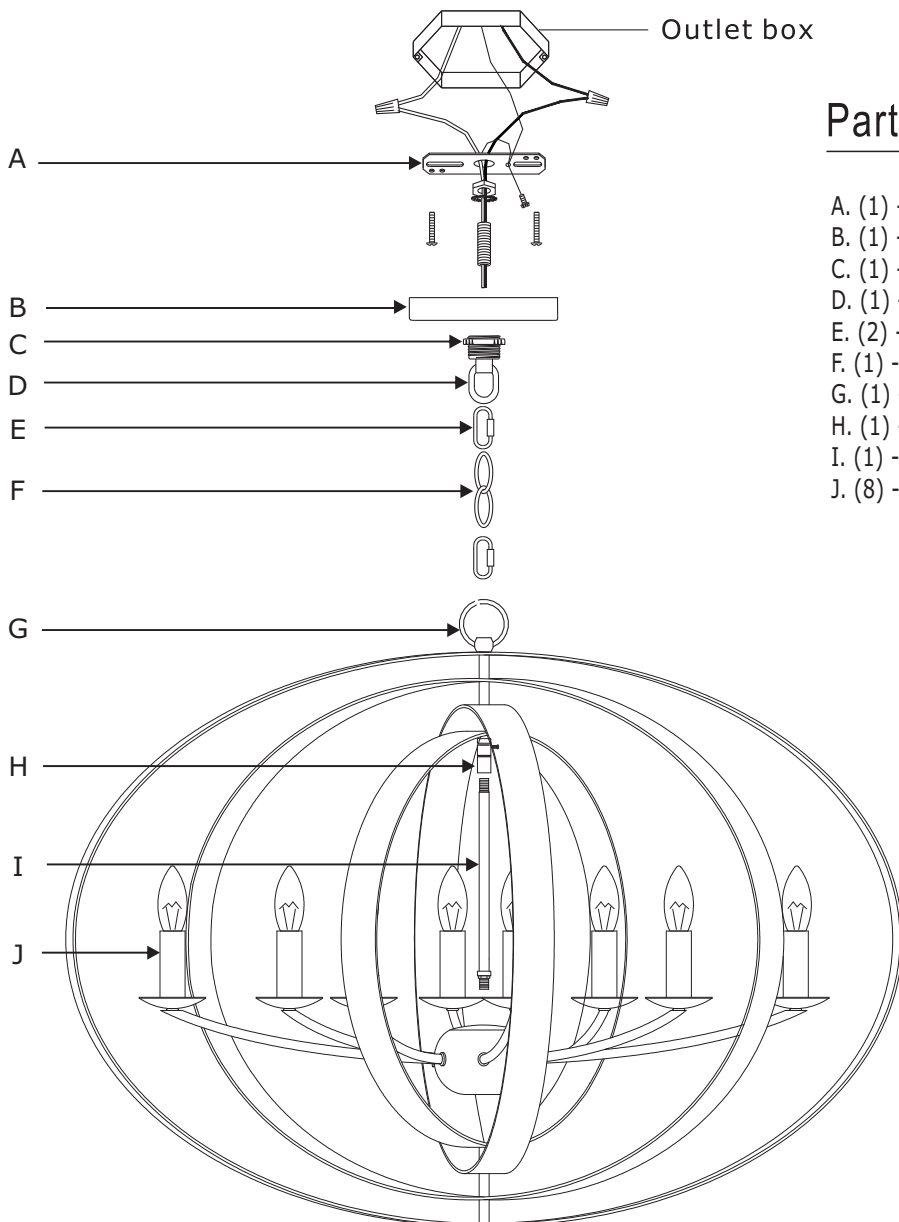
1. Attach the stem onto the wiring house.
2. Attach the top of the stem onto the swivel.
3. Place the candle sleeve onto the socket and insert recommended bulb (not included).
4. Adjust the flat metal rings to the preferred angle.

**WARNING:** This product can expose you to Lead, which is known to the State of California to cause cancer and/or birth defects or reproductive harm. For more information go to [www.P65Warnings.ca.gov](http://www.P65Warnings.ca.gov).

# CRYSTORAMA

LIGHTING THE WAY FOR SIXTY YEARS

PART NUMBER MODEL #588-MT-GA



## Part Number

- A. (1) - Mounting Hardware
- B. (1) - Canopy(W4.75",H0.75") #XRE580MTGACAN4.75IN
- C. (1) - Collar Ring
- D. (1) - Collar Loop
- E. (2) - Quick Link
- F. (1) - Hanging Chain(72",4mm) #XRE584MTGACHA4MM
- G. (1) - Fixture Loop
- H. (1) - Swivel
- I. (1) - Center Stem(8.66",12.7mm) #XRE588MTGASTEM
- J. (8) - Candle Sleeve(W0.87",H2.76") #XRE584MTGACDL2.76IN