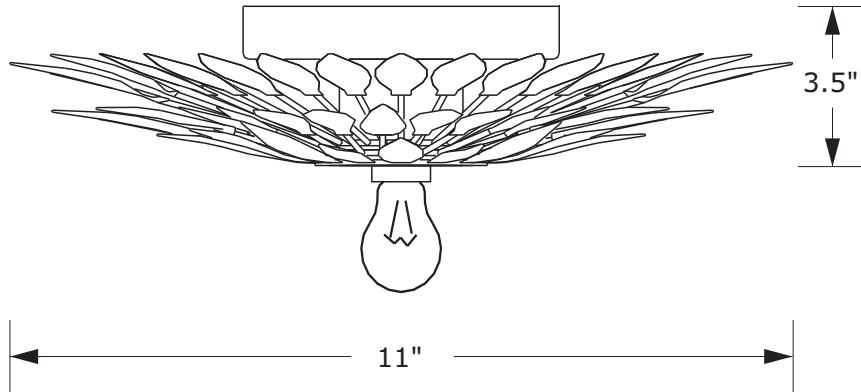


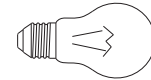
CRYSTORAMA

LIGHTING THE WAY FOR SIXTY YEARS

ASSEMBLY INSTRUCTION MODEL #500-GA



All electrical components must be installed by a licensed electrician in accordance with the National Electric Code and the appropriate local electrical codes.



You will need 1 -Medium Bulb

60 Watts Recommended 100 Watts Max.

USE LED BULBS FOR EXTENDED USE

THIS FIXTURE IS DAMP RATED

How to install

1. Do a complete inventory of all parts and components before you start installation.
2. Raise the canopy onto the mounting plate, and secure it with the ball nuts.
3. Insert recommended bulb (not included).

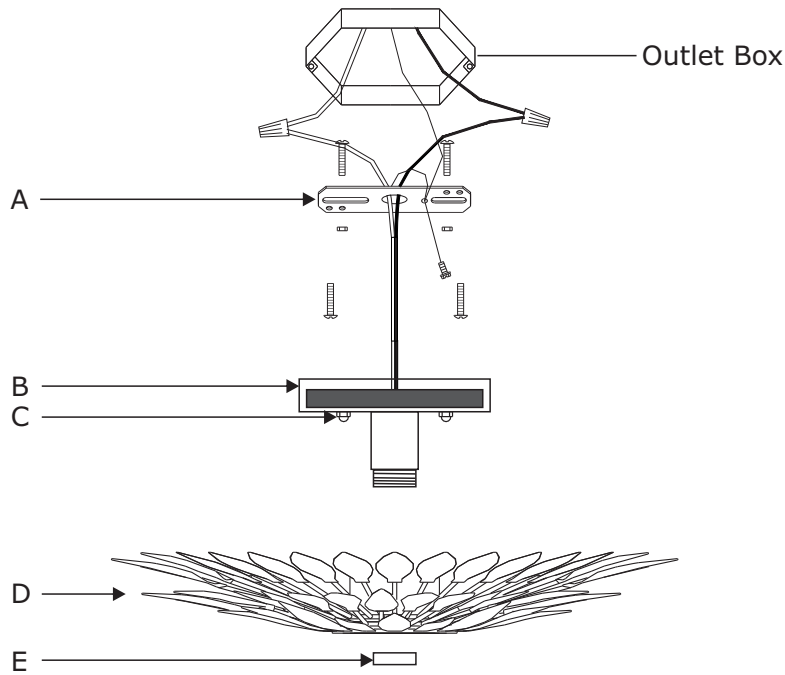
WARNING: This product can expose you to Lead, which is known to the State of California to cause cancer and/or birth defects or reproductive harm. For more information go to www.P65Warnings.ca.gov.

CRYSTORAMA

LIGHTING THE WAY FOR SIXTY YEARS

PART NUMBER MODEL #500-GA

Part Number



- A. (1) - Mounting Hardware
- B. (1) - Canopy(W4.5",H1") #XRE500GACAN4.5IN
- C. (2) - Ball Nuts #XRE500GABANUT
- D. (1) - Leaf Assembly
- E. (1) - Socket Ring