

# CRYSTORAMA

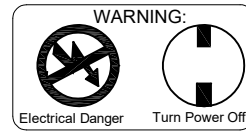


Crystorama.com

LIGHTING THE WAY FOR SIXTY YEARS

## ASSEMBLY INSTRUCTION MODEL #4424-CH-CL-MWP

There is a safety cable supplied with this fixture, as it weighs over 50lbs. The fixture should be mounted to the ceiling independent of the outlet box.



All electrical components must be installed by a licensed electrician in accordance with the National Electric Code and the appropriate local electrical codes.

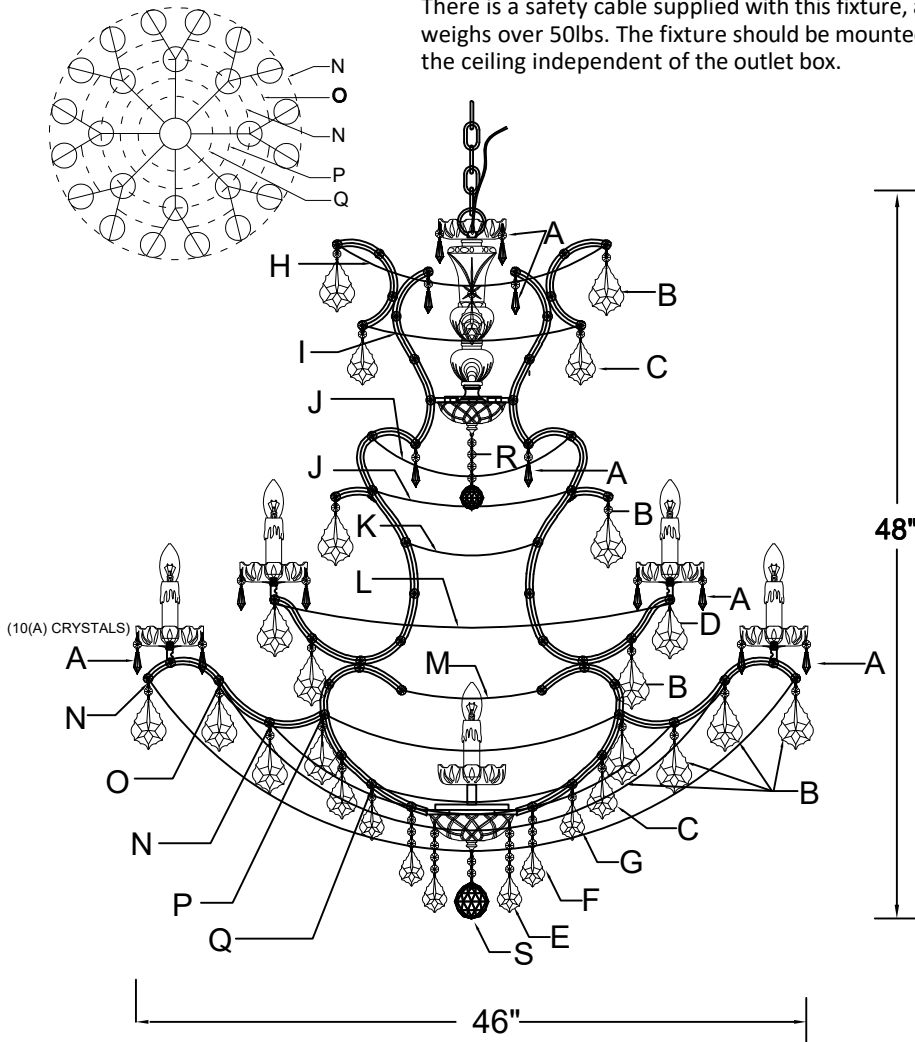


You will need 25-Candelabra Base Bulb

25 Watts Recommended 25 Watts Max

USE LED BULBS FOR EXTENDED USE

The fixture is dry rated



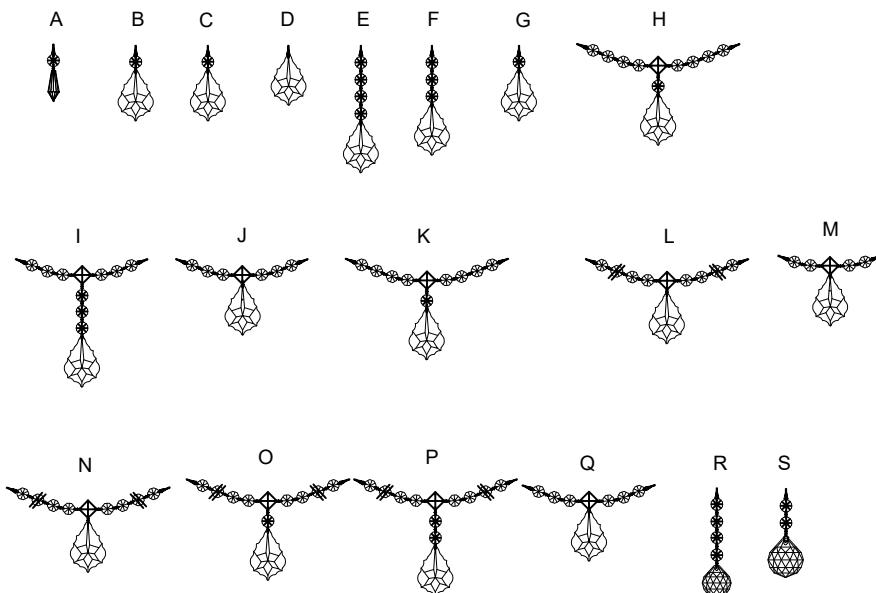
### How to Install

1. Do a complete inventory of all parts and components before you start installing.
2. Attach each of the arms to the metal plates, using enclosed screws.
3. Use the wire connector to connect the main wire, lead wire and socket wires.
4. Using the bottom thread, apply the metal dish, nut, glass dish and small metal dish in that order. Secure all by tightening with the finial.
5. Screw the column kit on the coupling.
6. After safely attaching fixture into outlet box, install bobeches, bulbs (not included) and proceed to connecting the power.
7. When you begin to dress the fixture, start with packet labeled (A).
8. IMPORTANT: Apply crystal sets in alphabetical order.

### Installation of Safety Cable

1. Pass the long threaded pipe on the hickey through the center of outlet box. Attach it to the ceiling joist and secure it with nuts.
2. Feed wires and safety cable up through chain and the hole of screw collar loop. Have the wires and safety cable exit through the side of hickey.
3. Feed safety cable through the cable lock and coil it around the hickey twice. Then Feed the cable through the lock again and tighten it with lock screw.
4. Continue to run safety cable through the top of outlet box and secure it to the ceiling joist.

### DETAILED ILLUSTRATION



### Crystal Sets

- A. 264Sets. (1)14mm + Drop-1.5"
- B. 80Sets. (1)14mm + AS20-3.5"
- C. 16Sets. (1)14mm + AS20-3"
- D. 8Sets. AS20-3.5"(No Jewel)
- E. 8Sets. (4)14mm + AS20-2.5"
- F. 8Sets. (3)14mm + AS20-2.5"
- G. 8Sets. (1)14mm + AS20-2.5"
- H. 8Sets. (9)14mm + (1)16mm Square + AS20-3"
- I. 8Sets. (9)14mm + (1)16mm Square + AS20-3"
- J. 16Sets. (6)14mm + (1)16mm Square + AS20-2.5"
- K. 8Sets. (9)14mm + (1)16mm Square + AS20-4"
- L. 8Sets. (12)14mm + (1)16mm Square + AS20-3.5"
- M. 8Sets. (4)14mm + (1)16mm Square + AS20-3.5"
- N. 24Sets. (10)14mm + (1)16mm Square + AS20-3.5"
- O. 8Sets. (11)14mm + (1)16mm Square + AS20-3.5"
- P. 8Sets. (12)14mm + (1)16mm Square + AS20-3.5"
- Q. 8Sets. (6)14mm + (1)16mm Square + AS20-3.5"
- R. 1Piece. (4)14mm + AS8-40mm Ball
- S. 1Piece. (2)14mm + AS8-60mm Ball

**WARNING:** This product can expose you to Lead, which is known to the State of California to cause cancer and/or birth defects or reproductive harm. For more information go to [www.P65Warnings.ca.gov](http://www.P65Warnings.ca.gov)

# CRYSTORAMA



Crystorama.com

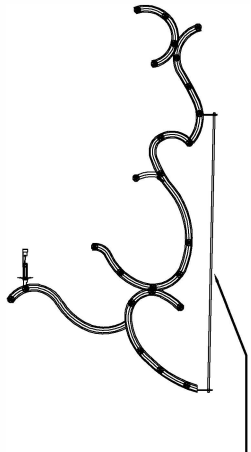
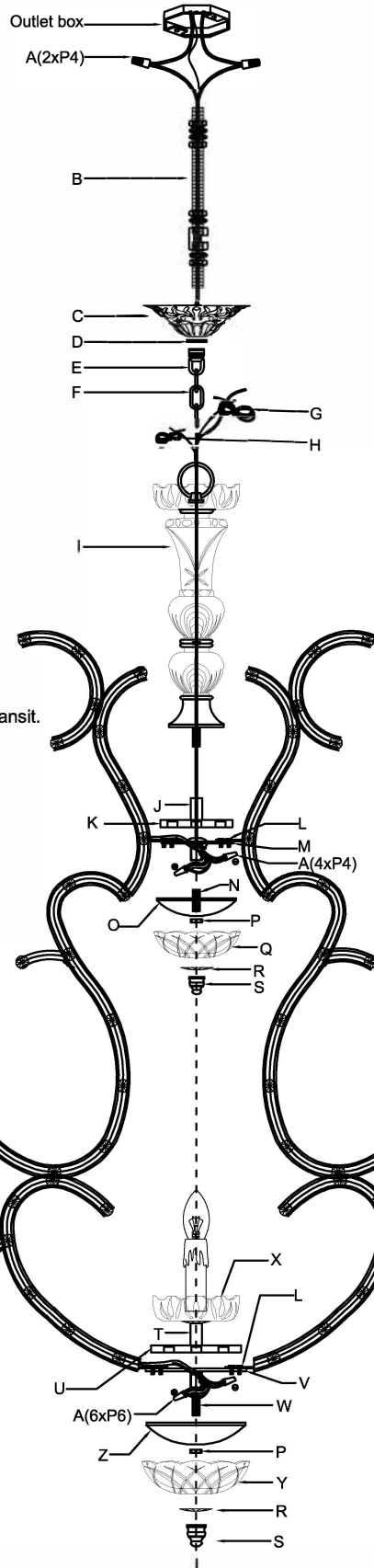
LIGHTING THE WAY FOR SIXTY YEARS

**PART NUMBER MODEL #4424-CH-CL-MWP**

## Part Number

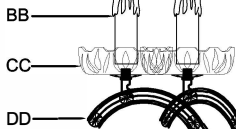
### Part Numbers

- A (12)-Wire Connector
- B (1)-Mounting Plate
- C (1)-Canopy; W6"x1.6" (XFB4418CHCAN6IN)
- D (1)-Collar Ring
- E (1)-Collar Loop
- F (1)-Chain; 72", 6mm (XFB4424CHCHA6MM)
- G (1)-Steel Wire
- H (1)-Ground Wire
- I (1)-Column
- J (1)-Coupling
- K (1)-Metal Cover
- L (32)-Screws
- M (1)-Metal Plates
- N (1)-Thread
- O (1)-Metal Dish
- P (2)-Nut
- Q (1)-Glass Dish; Ø5", 11mm hole (XFB4424DIBOB5IN)
- R (2)-Metal Dish
- S (2)-Finial (XFB4418CHF1N)
- T (1)-Coupling
- U (1)-Metal Cover
- V (1)-Metal Plates
- W (1)-Thread
- X (1)-Center Bobeche; Ø5", 26mm hole (XFB4418BOB5IN)
- Y (1)-Glass Dish; Ø6", 11mm hole, 8pin (XFB4424CHDIBOB6IN)
- Z (1)-Metal Dish
- AA (8)-Arms
- BB (25)-Candle Sleeve; h4" (XFB4418CDL4IN)
- CC (24)-Bobeche; Ø5", 26mm hole, 10pin (XFB4424CHBOB5IN)
- DD ( )-Rosette



Steel wire supported fixture arms during transit.  
Please remove prior to installation.

- PART BAG I : Includes Parts A
- PART BAG II : Includes Parts B, D, E
- PART BAG III : Includes Parts J, K, L, M, N, O, P, R, S
- PART BAG IV : Includes Parts T, U, L, V, W, Z, P, R, S



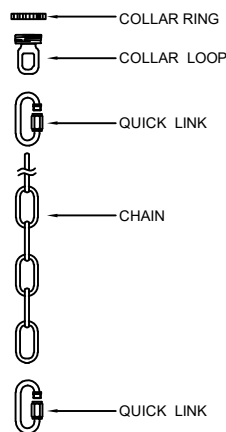
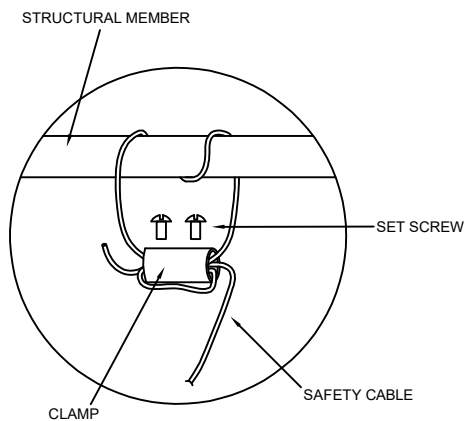
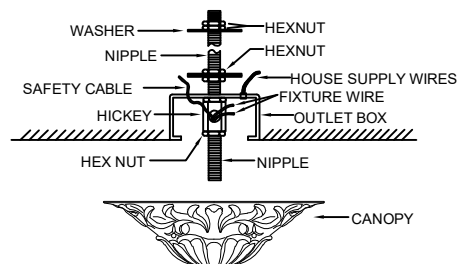
# CRYSTORAMA



LIGHTING THE WAY FOR SIXTY YEARS

PART NUMBER MODEL #4424-CH-CL-MWP

## SAFETY CABLE INSTALLATION INSTRUCTIONS



### IMPORTANT:

FOR A SAFE AND SECURE INSTALLATION, THESE FIXTURES MUST BE INSTALLED BY MEANS OF SUPPORTS THAT ARE INDEPENDENT OF THE OUTLET BOX.

### SUGGESTED INSTALLATION:

1. Provide a 1/4 IPS pipe with one end securely mounted to a beam or a structural member. The other end should protrude through the center of the outlet, as shown.
2. Assemble the screw collar loop, nipple, hex nuts and hickey to center 1/4 IPS support pipe and adjust overall length to allow the collar ring to hold the canopy flush to the ceiling. When the adjustments have been completed secure the hex nut, as shown.
3. Use one quick link to connect fixture loop and the bottom of chain. Slide the screw collar ring over the upper end of the chain, through the (Finished side down). Then use another quick link to connect collar loop and the top of chain.
4. Lace the fixture wires, ground wires and safety cable through the chain and screw collar loop, exiting through the side of HICKEY. Proceed to attach the FIXTURE GROUND WIRE to HOUSE GROUND WIRE using wire connector. Using wire connectors, connect the HOUSE WHITE WIRE to the FIXTURE SUPPLY WIRE (WHITE OR RIBBED SIDE); connect the HOUSE BLACK (or RED) WIRE to the FIXTURE SUPPLY WIRE (BLACK or SMOOTH SIDE). Wrap all connectors with approved electrical tape. Wrap safety cable around outlet box brace and pull cable taut. Secure cable with the clamp and (2) set screws provided, as shown.
5. Push the CANOPY upward over the OUTLET BOX. Be sure that all wires are carefully tucked into the OUTLET BOX cavity. Secure canopy against ceiling by threading CANOPY LOCK RING onto the CANOPY LOOP. Tighten until snug.