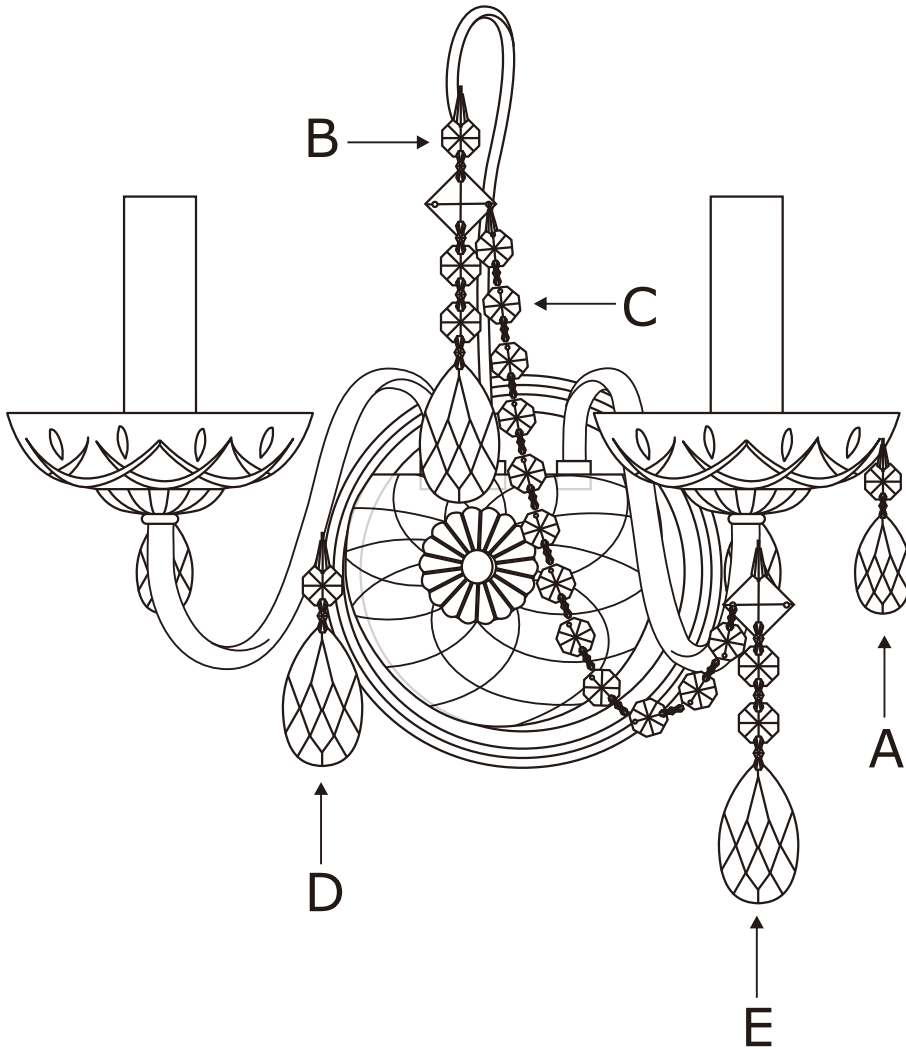


CRYSTORAMA

LIGHTING THE WAY FOR SIXTY YEARS

ASSEMBLY INSTRUCTION MODEL #3022-EB-CL-MWP



All electrical components must be installed by a licensed electrician in accordance with the National Electric Code and the appropriate local electrical codes.



You will need 2 -Candelabra Base Bulb
40 Watts recommended 60Watts Max.
USE LED BULBS FOR EXTENDED USE

The fixture is Dry rated.

How to Install

1. Install the mounting plate onto the outlet box using two outlet box screws.
2. Remove the half bobèche and metal cover from the backplate by loosening the finial.
3. Place the backplate over the mounting plate and secure it using two hex nuts.
4. Put the metal cover and half bobèche back onto the backplate and secure it with the small cap and finial.
5. Dress the crystal as illustrated.

Crystal Sets

- A. 10 Sets. (1)14mm + (1)AS9-1.5"
- B. 1 Piece. (1)14mm + (1)Square + (2)14mm + (1)AS9-2"
- C. 2 Sets. (12)14mm
- D. 2 Sets. (1)14mm + (1)AS9-2"
- E. 2 Sets. (1) Square + (2)14mm + (1)AS9-2"

DETAILED ILLUSTRATION

(1)Bobèche with Ax5



WARNING: This product can expose you to Lead, which is known to the State of California to cause cancer and/or birth defects or reproductive harm. For more information go to www.P65warnings.ca.gov

CRYSTORAMA

LIGHTING THE WAY FOR SIXTY YEARS

PART NUMBER MODEL #3022-EB-CL-MWP

Part Number

Part Numbers

- A. (2)-Wire Connector
- B. (1)-Mounting plate
- C. (1)-Backplate (Ø6")
- D. (2)-Candle Sleeve; H4 1/4"
- E. (2)-Bobeche; W4", 5 pin holes, 28mm center hole -XSN3022EBBOB5PN
- F. (1)-Half Bobeche
- G. (1)-Metal Cover
- H. (1)-Finial
- I. (1)-Small cap

