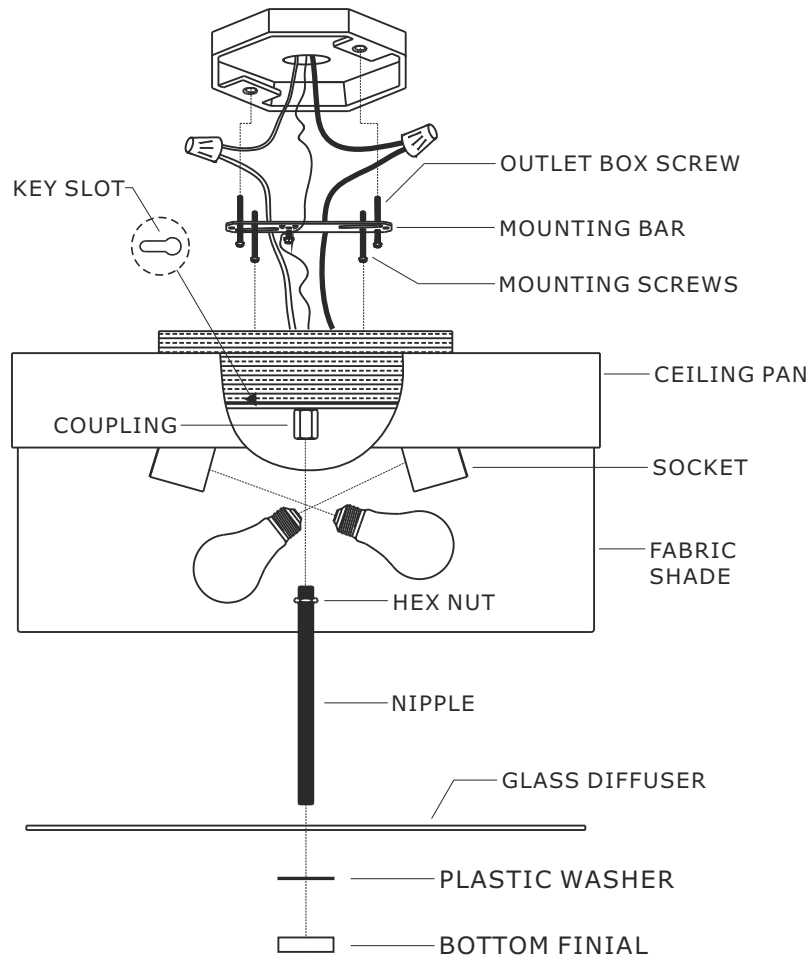


CRYSTORAMA

LIGHTING THE WAY FOR SIXTY YEARS



ASSEMBLY INSTRUCTION MODEL#293-PN



WARNING:



Electrical Danger



Turn Power off

All electrical components must be installed by a licensed electrician in accordance with the National Electric Code and the appropriate local electrical codes.



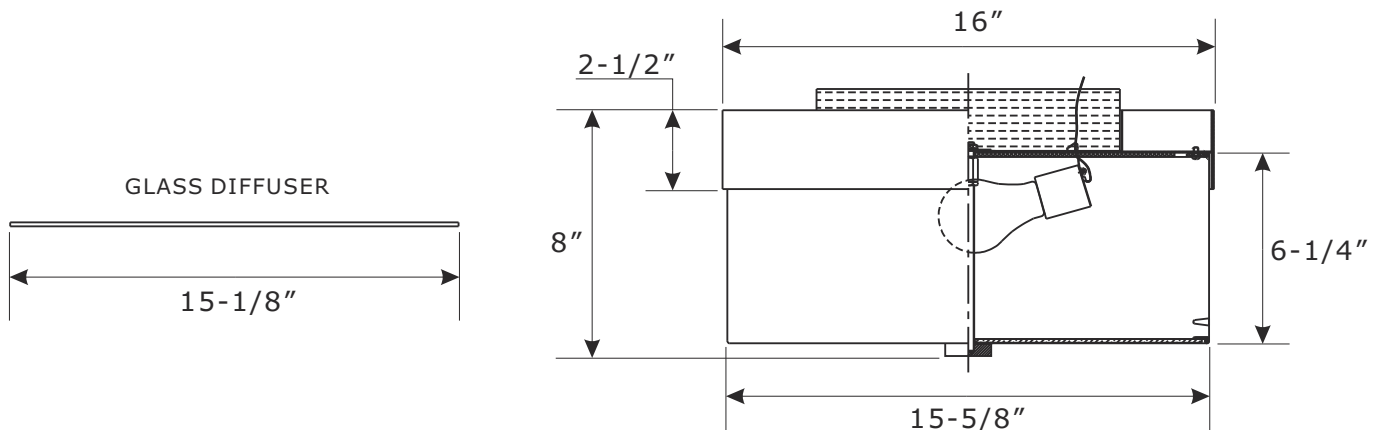
You will need 3-Medium Base Bulb
40 Watts Recommended 60 Watts Max.
USE LED BULBS FOR EXTENDED USE
This fixture is Dry rated

How to install

1. Thread the mounting screws into the matching holes in the mounting bar. Secure the mounting bar to outlet box with the outlet box screws.
2. Connect fixture wires to supply wires in outlet box.
3. Raise the ceiling pan allowing for the mounting screws to protrude through key slots on the ceiling pan. Rotate the ceiling pan clockwise until the mounting screws are in the narrow parts of the key slot then tighten the screws with a screw driver.
4. Install the bulb(not included) into the socket.
5. Thread the nipple onto the coupling and adjust the length of nipple to fit with the glass. Tighten it with hex nut.
6. Slide the glass diffuser and the plastic washer over the nipple, then secure with the bottom finial.

HOW TO REPLACE BULB:

REMOVE BOTTOM FINIAL AND DIFFUSER TO REPLACE PREVIOUS BULB W / NEW BULB.



WARNING: This product can expose you to Lead which is known to the state of California to cause cancer and/or birth defects or reproductive harm. For more information go to www.P65Warnings.ca.gov



ASSEMBLY INSTRUCTION MODEL#293-PN

Part Number

Part Numbers

- A. (1)-Mounting hardware
- B. (1)-Ceiling pan
- C. (1)-Fabric shade W15-5/8"xH6-1/4" #XRF293PNSHA15.625IN
- D. (1)-Hex nut
- E. (1)-Nipple
- F. (1)-Glass diffuser #XRF293DIF15.125IN
- G. (1)-Plastic washer
- H. (1)-Bottom finial #XRF293PNFIN

