



## ASSEMBLY INSTRUCTION MODEL#2443-OP-BN

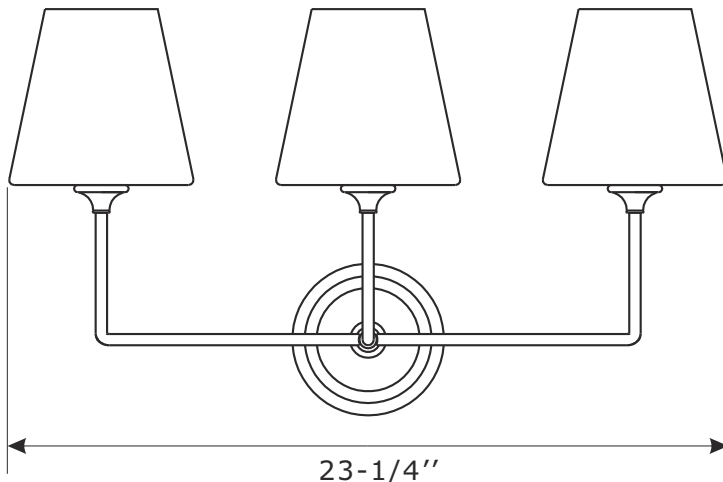


All electrical components must be installed by a licensed electrician in accordance with the National Electric Code and the appropriate local electrical codes.



You will need 3- Medium Base Bulb  
60 Watts Recommended 100 Watts Max.  
USE LED BULBS FOR EXTENDED USE

This fixture is Damp rated

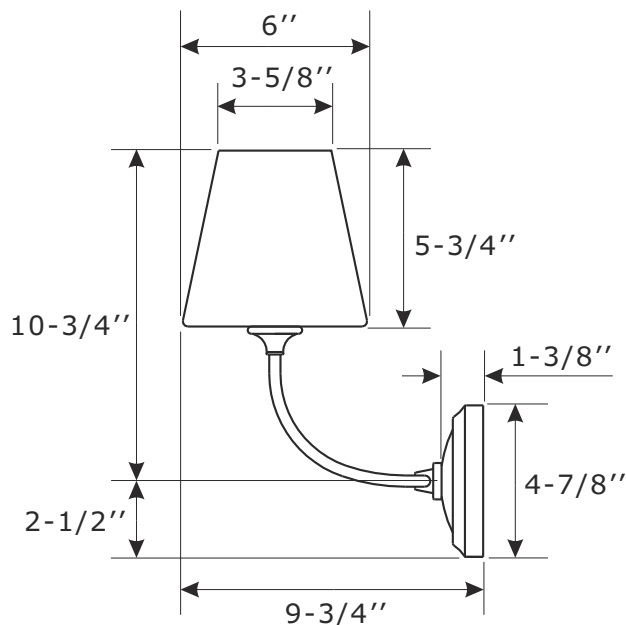


23-1/4"

FRONT VIEW

### How to install

1. Install the mounting plate to the outlet box using two outlet box screws.
2. Install backplate onto the mounting plate, and secure with the screws.
3. Install the glass shade over the socket, and secure with the socket ring.
4. Install the bulb(not included) into socket.



SIDE VIEW



## ASSEMBLY INSTRUCTION MODEL#2443-OP-BN

### Part Number

#### Part Numbers

- A. (1)-Mounting hardware
- B. (1)-Mounting plate
- C. (1)-Backplate L4-7/8"xW4-7/8"xD1-3/8" #XRF2441BNBKP4.875IN
- D. (2)-Screw
- E. (3)-Socket
- F. (3)-Glass shade #XRF2441SHA6IN
- G. (3)-Socket ring

