

CRYSTORAMA



95 Cantiague Rock Road, Westbury, NY 11590 • toll free: 1.800.888.4470 fax: 516.931.1254 • info@crystorama.com • www.crystorama.com

MODEL #: 1482 ASSEMBLY AND DRESSING INSTRUCTIONS

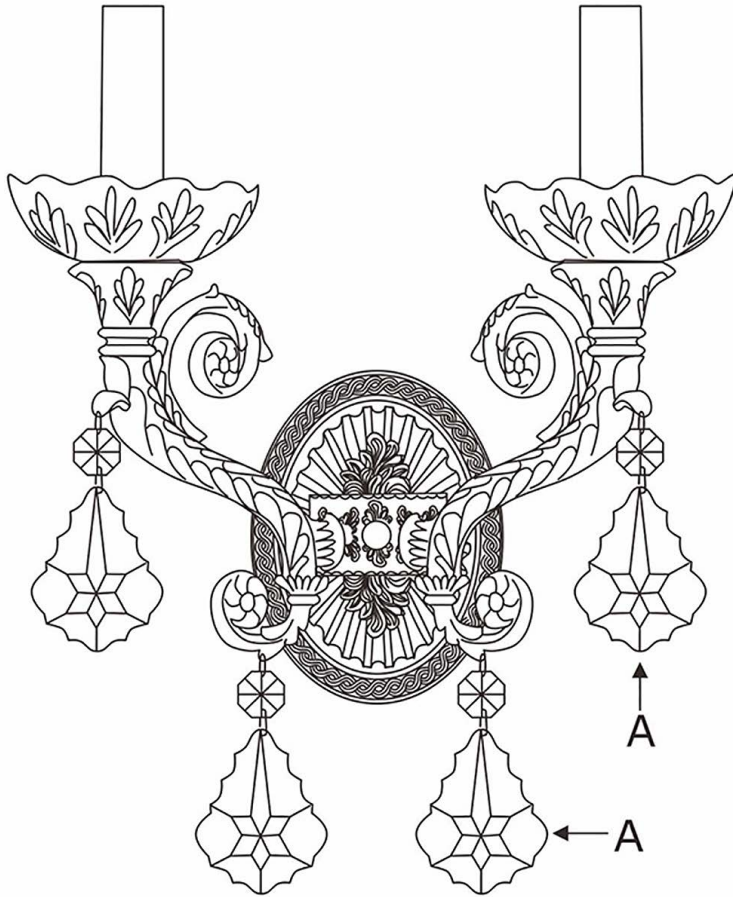


WARNING: This product can expose you to Lead, which is known to the State of California to cause cancer and/or birth defects or reproductive harm. For more information go to www.P65Warnings.ca.gov

All electrical components must be installed by a licensed electrician in accordance with the National Electric Code and the appropriate local electrical codes.

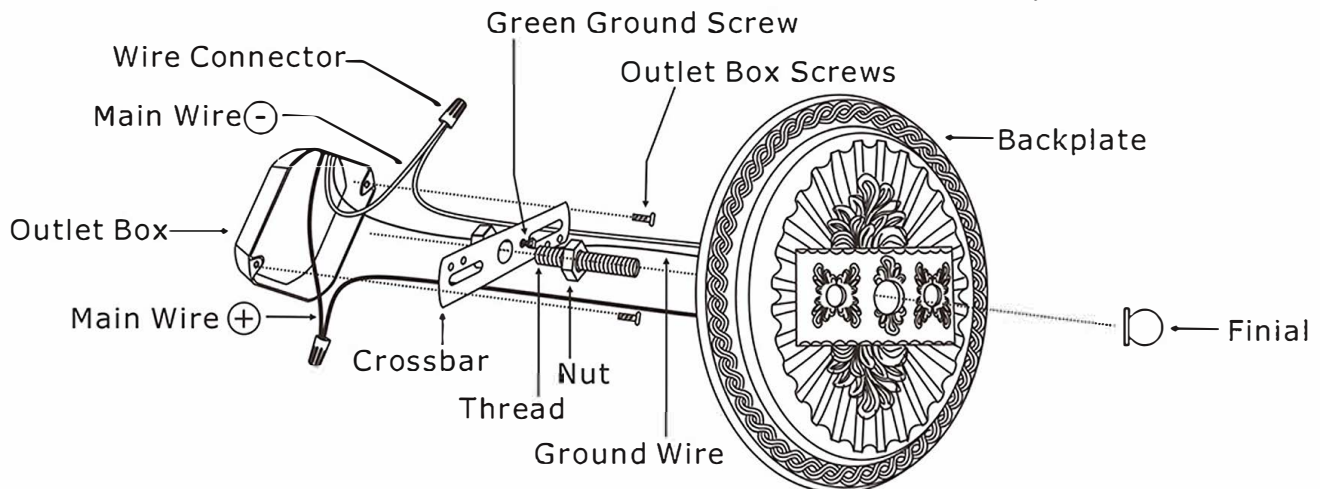


You will need 2 Candelabra bulbs 60 Watts recommended, Use LED bulbs for Extended use. Bulb not included.



HOW TO INSTALL:

1. Install the Crossbar to the Outlet Box of the wall.
2. Entwine the Ground Wire around the Green Grounding Screw. Screw the Green Grounding Screw further into the Crossbar.
3. Use the Wire Connector to connect the Main Wires of the product with the Main Wires of the Outlet Box.
4. Set the assembled product to the wall, have the Thread through the center hole of the Backplate.
5. Screw the Finial to the Thread.
6. Dress the crystal trims.



CRYSTAL DRESSING INSTRUCTIONS:

A = (14mm + 76mm) X 4 pcs

All mm Jewels are 14mm unless otherwise stated.