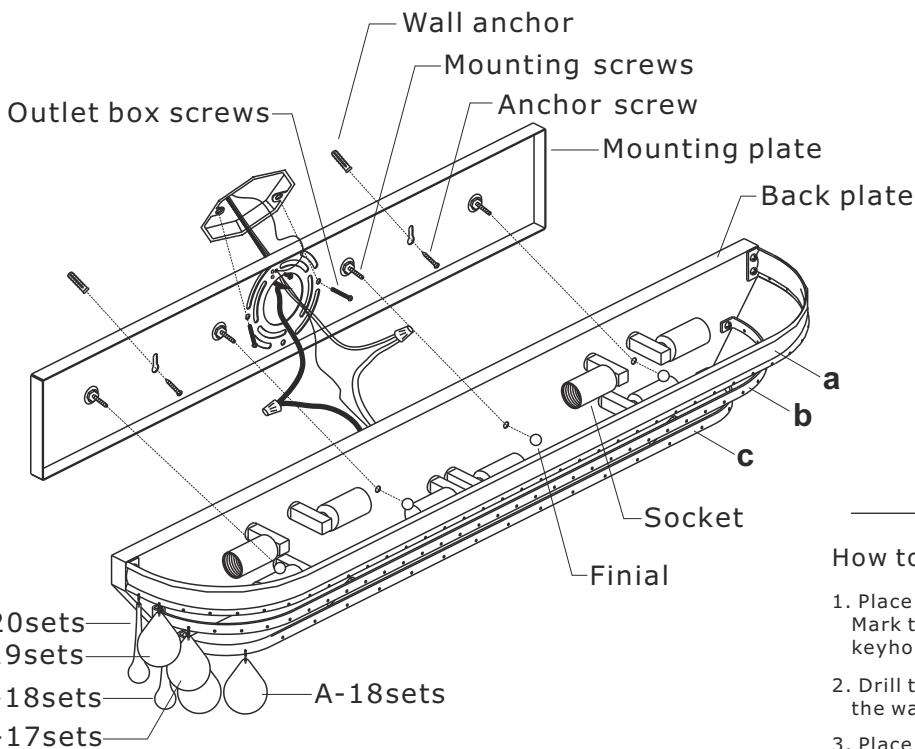


CRYSTORAMA

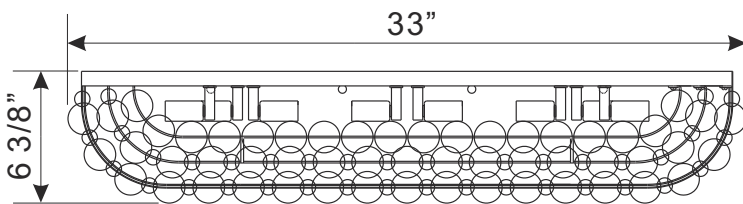
LIGHTING THE WAY FOR SIXTY YEARS

ASSEMBLY INSTRUCTION MODEL# 134-VZ

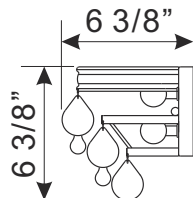


**Hang crystals to rings "a" and "b" alternating between crystals A and B.
Hang crystal A to ring "c".**

Top view



Side view



A=  40mmx54sets

B=  76mmx38sets

WARNING:



Electrical Danger Turn Power off

All electrical components must be installed by a licensed electrician in accordance with the National Electric Code and the appropriate local electrical codes.



You will need 8- Candelabra Base Bulb
40 Watts Recommended 60 Watts Max.
USE LED BULBS FOR EXTENDED USE
This fixture is Damp rated

How to install

1. Place the mounting plate over the outlet box. Mark two points on the wall at the center of keyhole on the mounting plate.
2. Drill two holes at the marked points and insert the wall anchors.
3. Place the mounting plate over the outlet box and secure it with outlet box screws. Insert the anchor screws inside the wall anchor inside the wall and tighten it for securement of mounting plate.
4. Install backplate onto the mounting plate, and secure with the finials.
5. Install the bulb(not included) into the socket.
6. Hang crystals alternating between crystal A and B onto the holes on ring "a" and "b".
7. Hang crystal A onto the holes on ring "c".

CRYSTORAMA

LIGHTING THE WAY FOR SIXTY YEARS

PART NUMBER MODEL# 134-VZ

Part Number

Part Numbers

- A. (1)-Mounting hardware
- B. (1)-Mounting plate
- C. (1)-Backplate L31-3/4"xW4-3/8"xH3/4" #XRF134VZBKP4.375IN
- D. (4)-Finial #XRF134VZFIN
- E. (1)-Top band ring
- F. (1)-Bottom ring
- G. (8)-Socket

