

Installation notes:

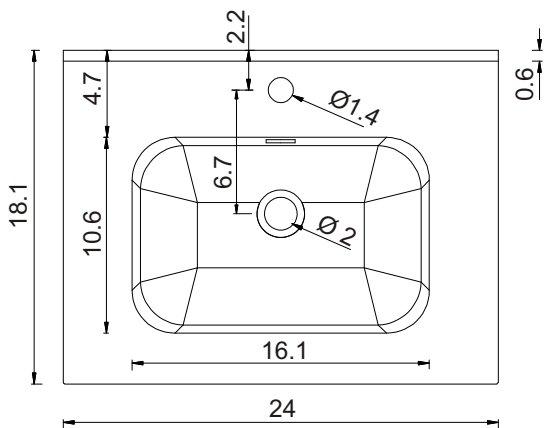
Faucet and silicone are not included.
All sizes of sinks are subject to tolerance:
+/- 0.40 inches (ceramic) and +/- 0.20 inches (glass and resin)

Sink assembly

Install the faucet to the top and drains to the sink. Refer to the faucet and drain manufacturer's instructions.
Complete the faucet connections. Run water and check for leaks.
Apply a bead of silicone behind the top surface to the finished wall.

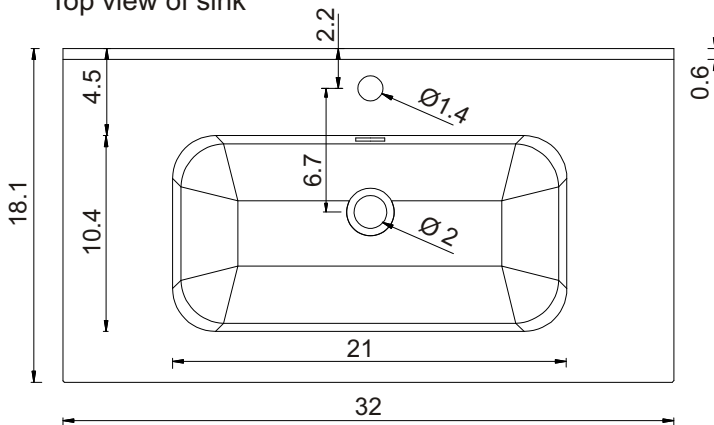
CERAMIC BASIN ART. 50202

Top view of sink



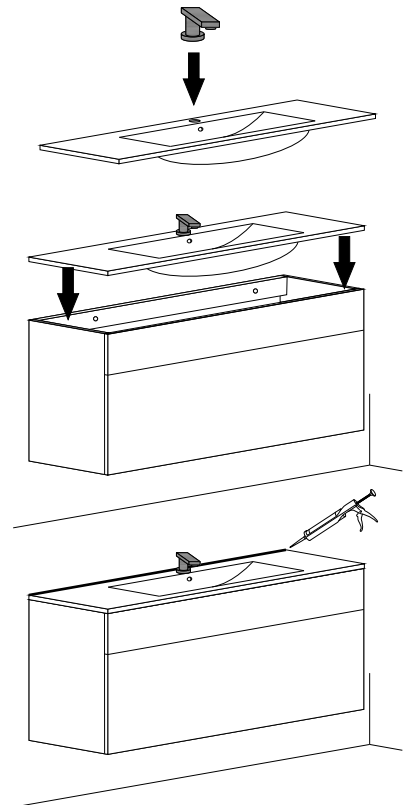
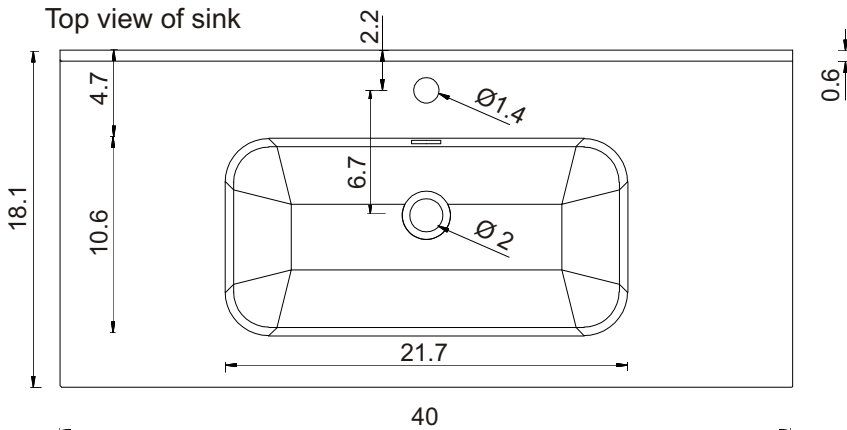
CERAMIC BASIN ART. 50112

Top view of sink



CERAMIC BASIN ART. 50200

Top view of sink



Installation notes:

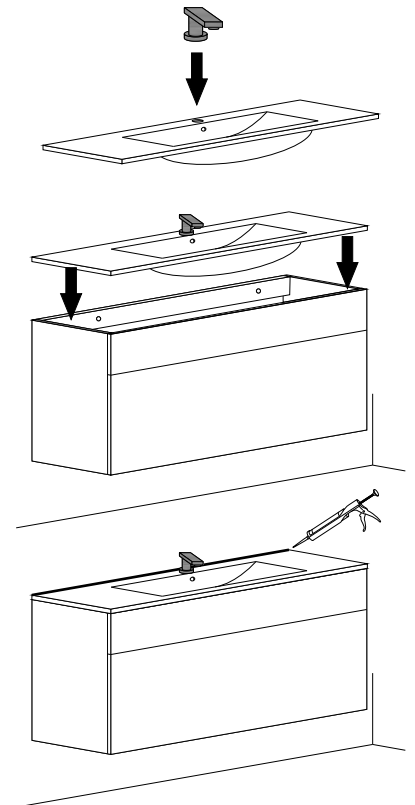
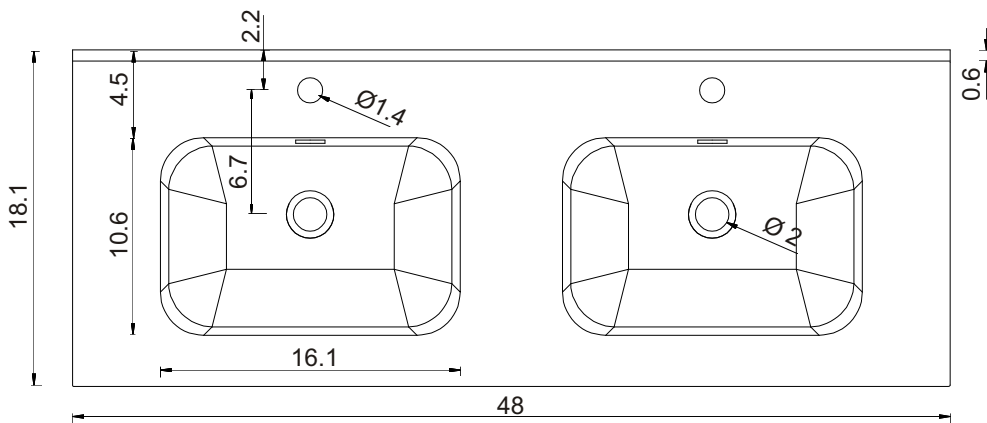
Faucet and silicone are not included.
All sizes of sinks are subject to tolerance:
+/- 0.40 inches (ceramic) and +/- 0.20 inches (glass and resin)

Sink assembly

Install the faucet to the top and drains to the sink. Refer to the faucet and drain manufacturer's instructions.
Complete the faucet connections. Run water and check for leaks.
Apply a bead of silicone behind the top surface to the finished wall.

CERAMIC BASIN ART. 50135

Top view of sink



Installation notes:

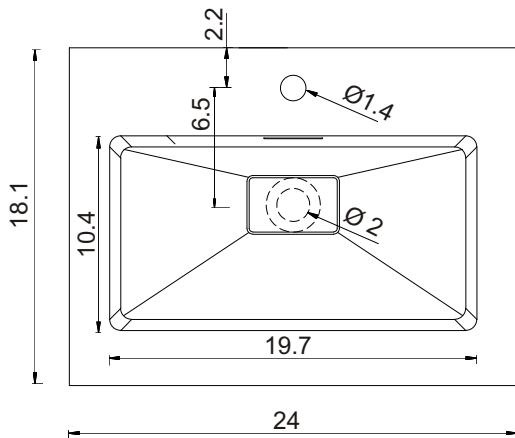
Faucet and silicone are not included.
All sizes of sinks are subject to tolerance:
+/- 0.40 inches (ceramic) and +/- 0.20 inches (glass and resin)

Sink assembly

Install the faucet to the top and drains to the sink. Refer to the faucet and drain manufacturer's instructions.
Complete the faucet connections. Run water and check for leaks.
Apply a bead of silicone behind the top surface to the finished wall.

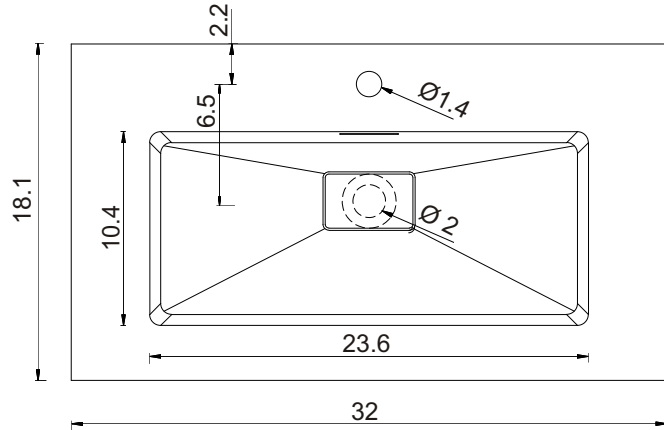
RESIN BASIN ART. 50354

Top view of sink



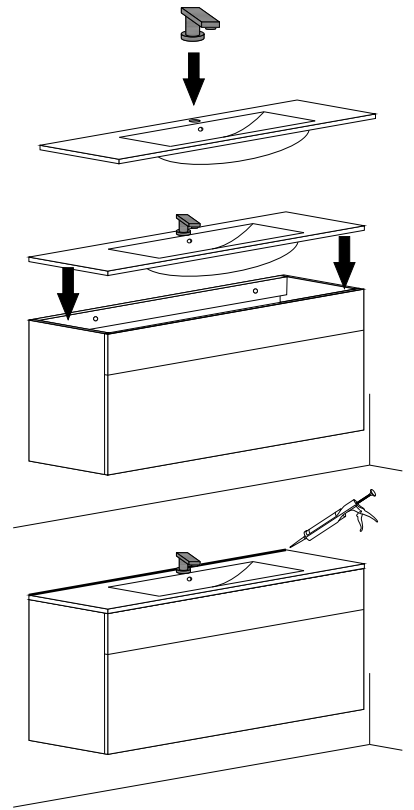
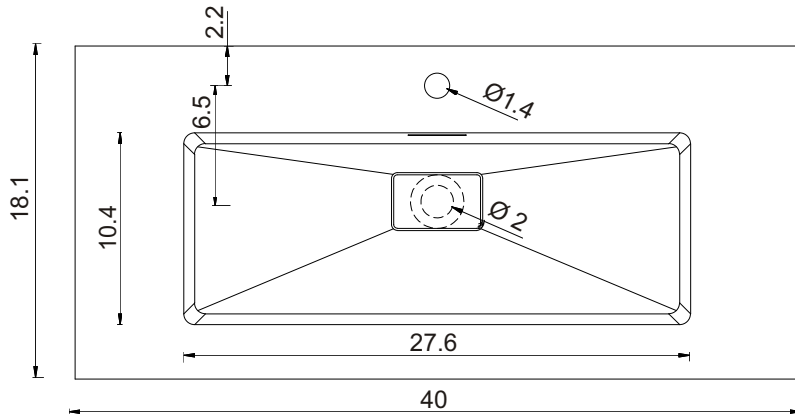
RESIN BASIN ART. 50355

Top view of sink



RESIN BASIN ART. 50356

Top view of sink



Installation notes:

Faucet and silicone are not included.
All sizes of sinks are subject to tolerance:
+/- 0.40 inches (ceramic) and +/- 0.20 inches (glass and resin)

Sink assembly

Install the faucet to the top and drains to the sink. Refer to the faucet and drain manufacturer's instructions.
Complete the faucet connections. Run water and check for leaks.
Apply a bead of silicone behind the top surface to the finished wall.

RESIN BASIN ART. 50357

Top view of sink

