

Installation notes:

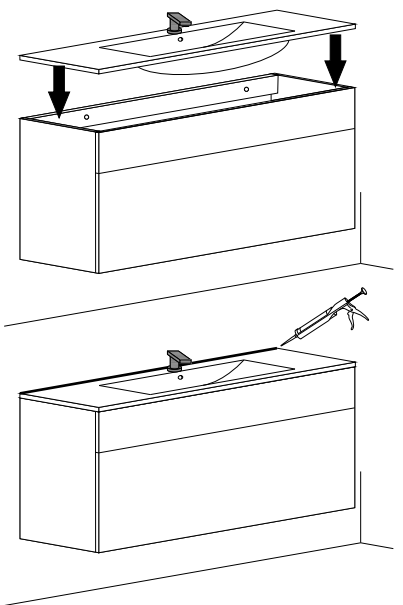
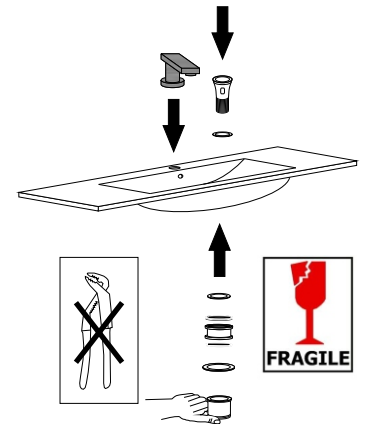
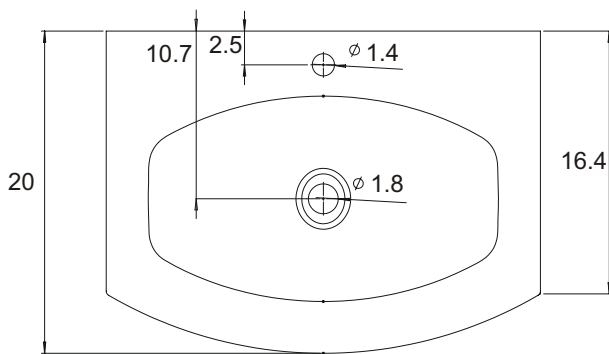
Faucet and silicone are not included.
 All sizes of sinks are subject to tolerance:
 +/- 0.40 inches (ceramic) and +/- 0.20
 inches (glass and resin)

Sink assembly

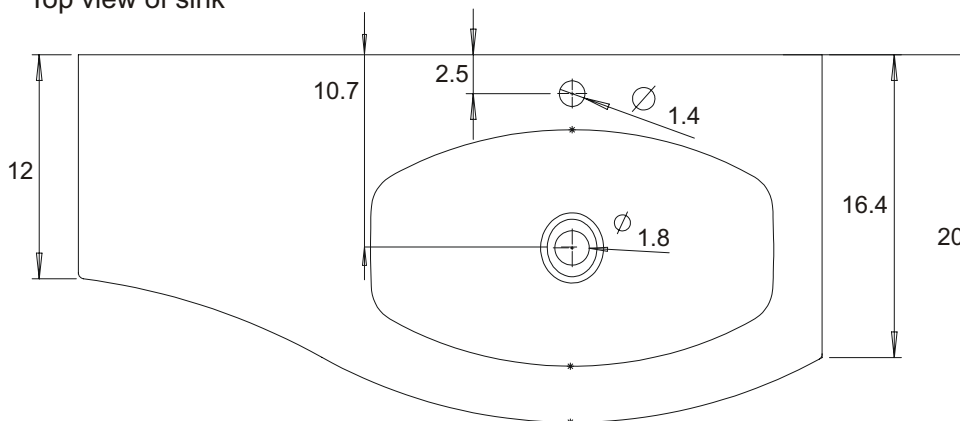
Install the faucet to the top and drains to the sink. Refer to the faucet and drain manufacturer's instructions.
 Complete the faucet connections. Run water and check for leaks.
 Apply a bead of silicone behind the top surface to the finished wall.

GLASS EXTRA-LIGHT BASIN ART. 82410

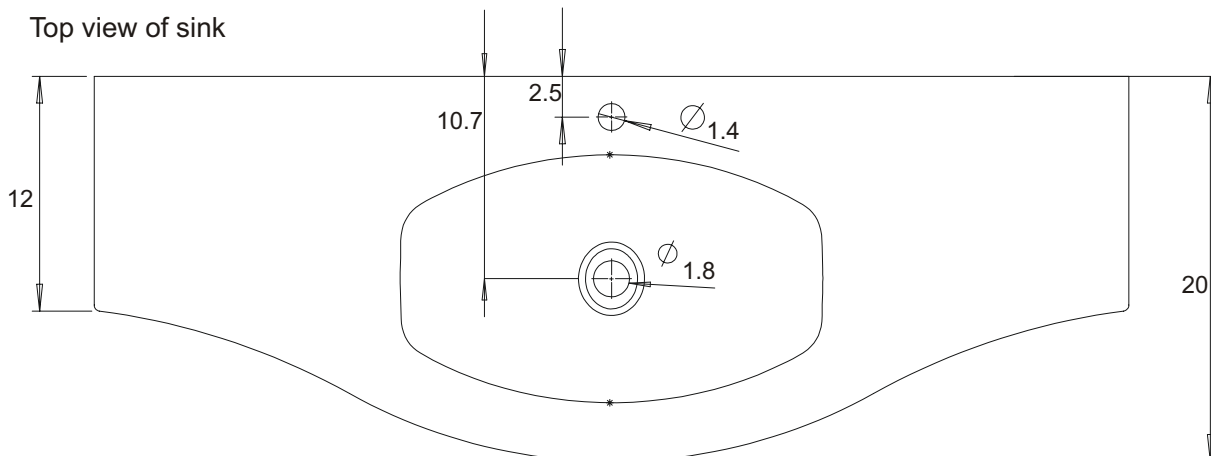
Top view of sink


GLASS EXTRA-LIGHT BASIN ART. 82408 - 82409

Top view of sink


GLASS EXTRA-LIGHT BASIN ART. 82411

Top view of sink



Installation notes:

Faucet and silicone are not included.
All sizes of sinks are subject to tolerance:
+/- 0.40 inches (ceramic) and +/- 0.20
inches (glass and resin)

Sink assembly

Install the faucet to the top and drains to the sink. Refer to the faucet and drain manufacturer's instructions.
Complete the faucet connections. Run water and check for leaks.
Apply a bead of silicone behind the top surface to the finished wall.

GLASS EXTRA-LIGHT BASIN ART. 82412

Top view of sink

