

Installation notes:

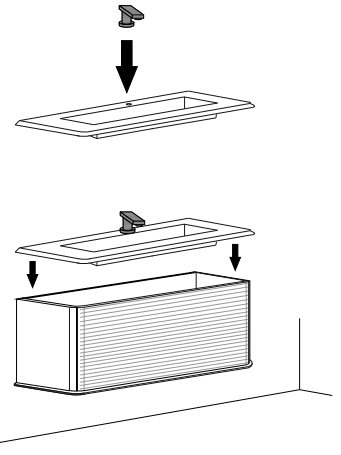
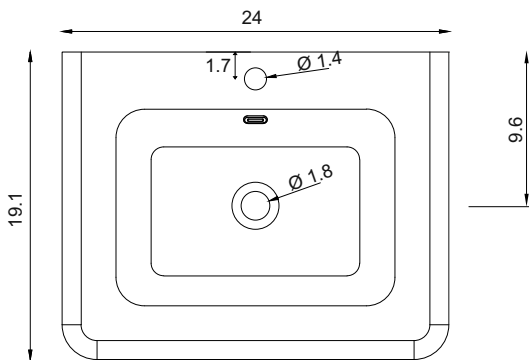
Faucet and silicone are not included.
All sizes of sinks are subject to tolerance:
+/- 0.40 inches (ceramic) and +/- 0.20
inches (glass and resin)

Sink assembly

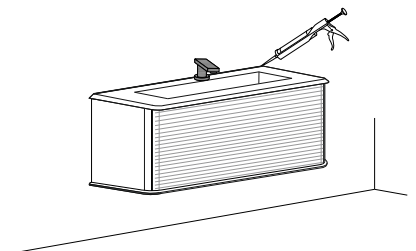
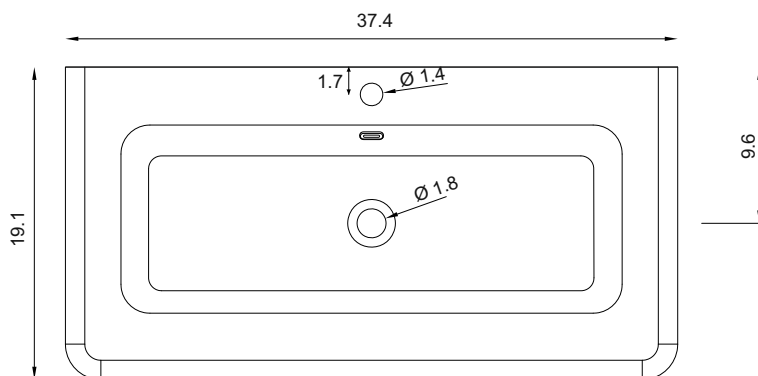
Install the faucet to the top and drains to the sink. Refer to the faucet and drain manufacturer's instructions.
Complete the faucet connections. Run water and check for leaks.
Apply a bead of silicone behind the top surface to the finished wall.

RESIN BASIN ART. 50352

Top view of sink

**RESIN BASIN ART. 50264**

Top view of sink

**RESIN BASIN ART. 50265**

Top view of sink

