

**Sink assembly**

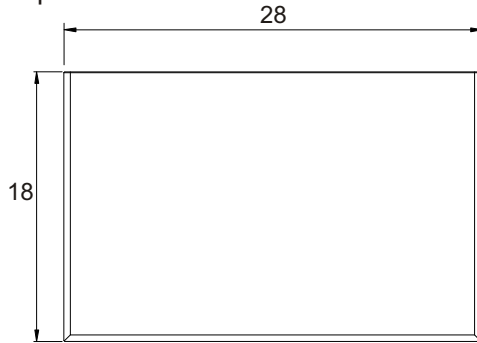
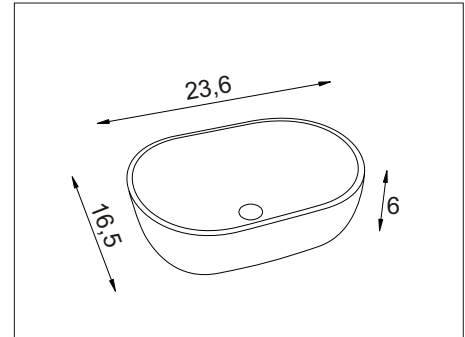
Install the faucet to the top and drains to the sink. Refer to the faucet and drain manufacturer's instructions. Complete the faucet connections. Run water and check for leaks. Apply a bead of silicone behind the top surface to the finished wall.

**Installation notes:**

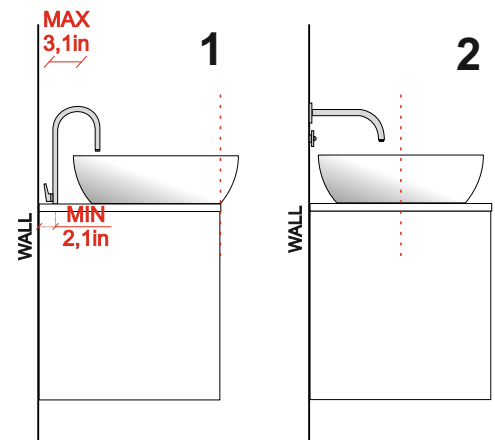
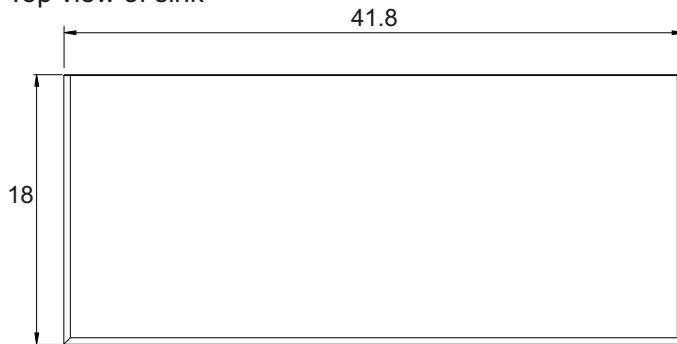
Faucet and silicone are not included. All sizes of sinks are subject to tolerance: +/- 0.40 inches (ceramic) and +/- 0.20 inches (glass and resin)

**WOODEN TOP ART. 50189**

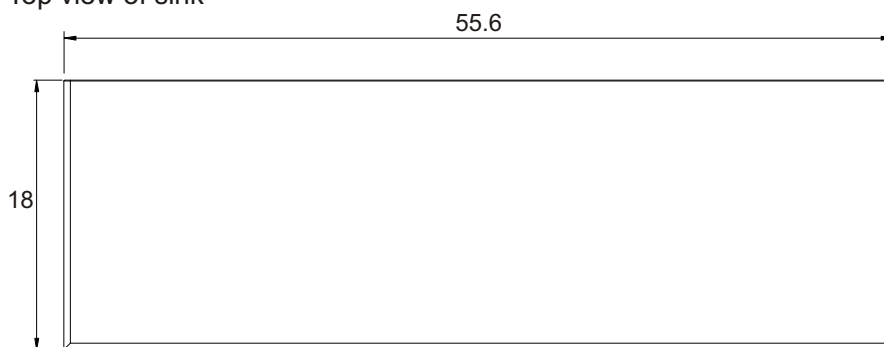
Top view of sink


**CERAMIC BASIN ART. 50179**

**WOODEN TOP ART. 50190**

Top view of sink


**WOODEN TOP ART. 50191**

Top view of sink


**WOODEN TOP ART. 50192**

Top view of sink

