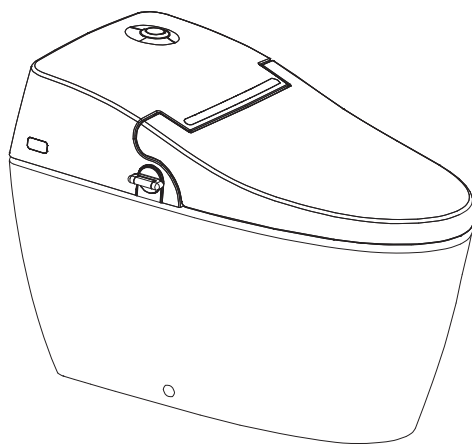


AXENT
SWITZERLAND



COLIN

INSTALLATION INSTRUCTIONS



 **DANGER!** High Risk, Lethal Hazards, Severe Injuries

 **CAUTION!** Low Risk, Minor Injuries

 **NOTE!** Damage to Property

TARGET READERSHIP AND INSTALLER QUALIFICATIONS

We highly recommend installation by qualified professionals.

 **NOTE!**

Follow all local installation regulations and country specific voltage and plumbing standards. DO NOT install the intelligent toilet in rooms where there is a danger of frost. The room temperature and water temperature must not be less than 4°C (39 °F).

Condensation may form when the intelligent toilet is brought from a cold location to a warm one. Leave the unit switched off for a few hours before operating.

 **DANGER!**

Risk of fatal electric shock

The appliance must be ground.

DO NOT remove individual components from (inside of) the intelligent toilet.

If the unit has a damaged cord or plug, return the product to a service center for repair. The cord or plug may only be changed by qualified personnel.

 **CAUTION!**

DO NOT reuse old hoses. Please use new hoses and included components.

Axent Corp is not liable or responsible for damaged caused by 3rd party components.

TECHNICAL SUPPORT

For any questions or any assistance with this product, please contact your dealer or call us at

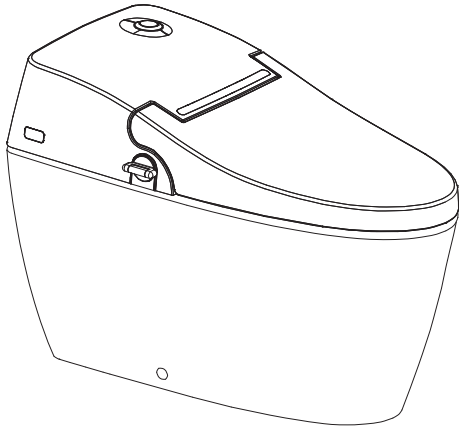
1-800-769-4857

support@axentproducts.com

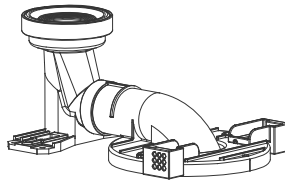
www.axentbath.us

SCOPE OF DELIVERY

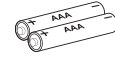
Standard delivery contents



Main body



12" Flange



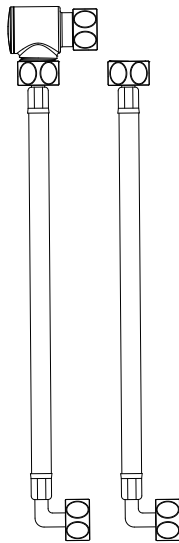
Battery



Adhesive

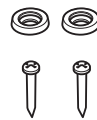


User Manual

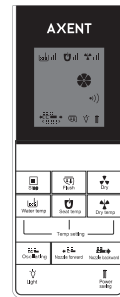


Inlet Hose and Filter

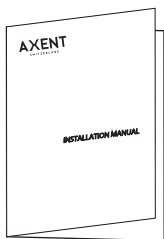
(Filter Adapter Requires 1/2" Pipe Thread Connection.)



Bowl Mounting Hardware



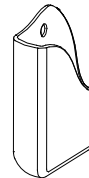
Remote control



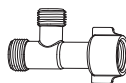
Installation Manual



Bowl Plug



Holder



T-branch Pipe



Remote control Mounting Hardware



The below parts are not included with the toilet.



Floor Mount



Bolts



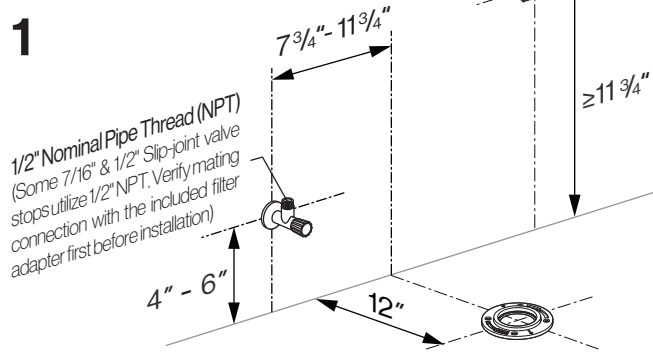
Wax Ring



COLIN

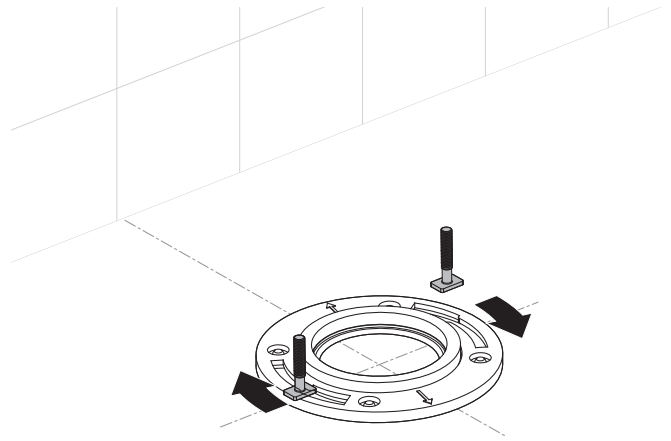
1

1

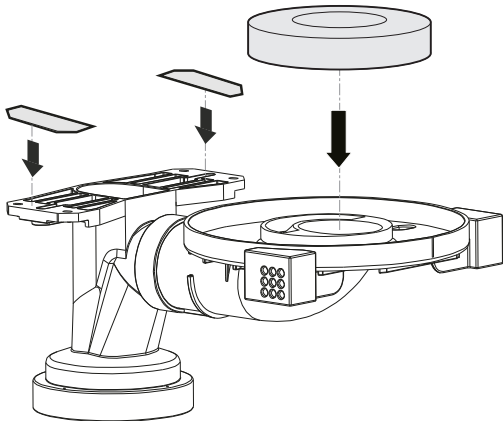


! Please verify these dimensions before beginning installation. These dimensions may vary in some locations.

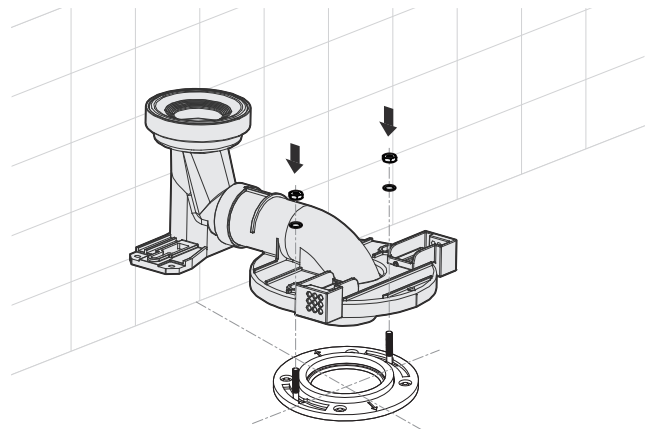
2



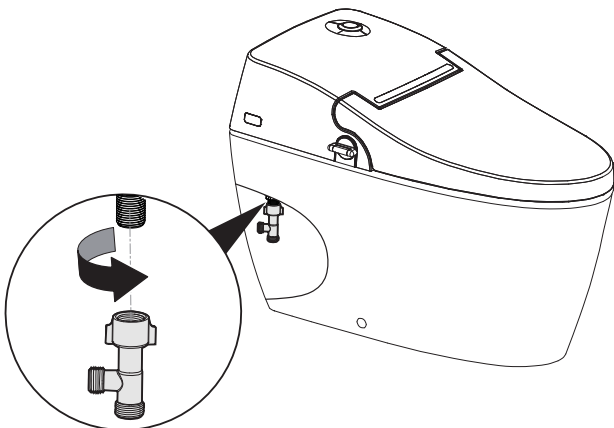
3



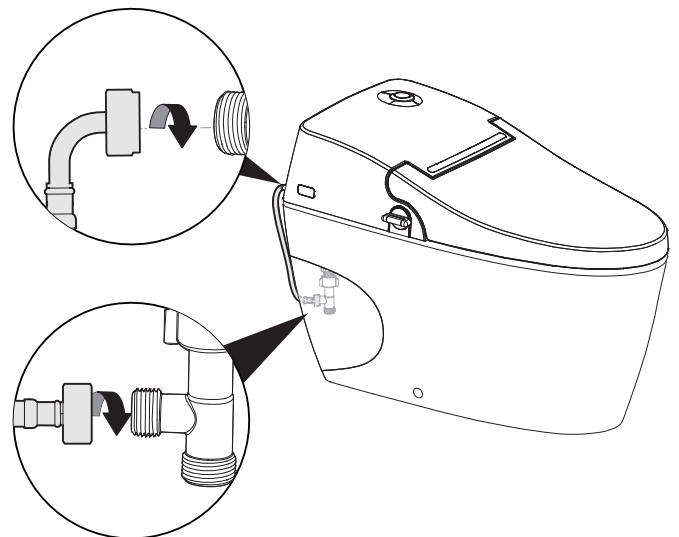
4



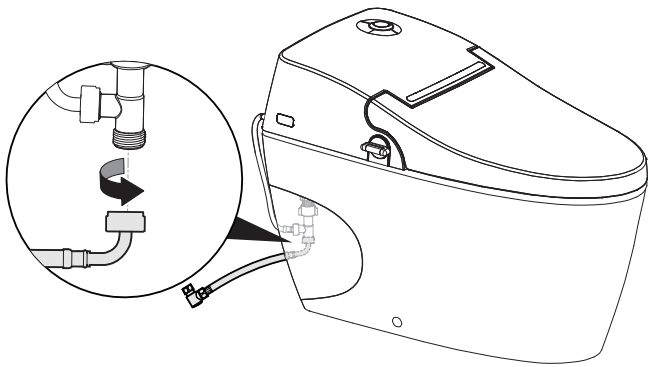
5



6

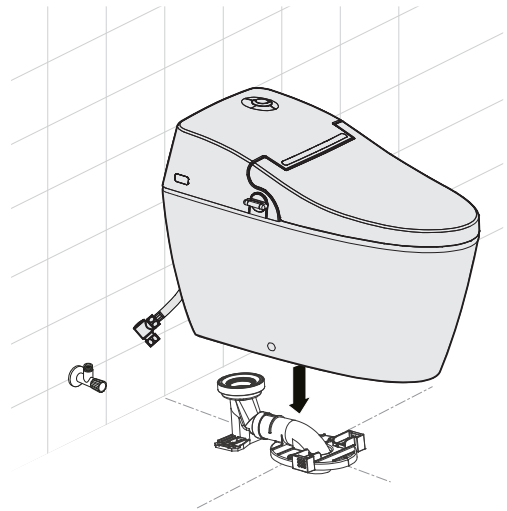


7

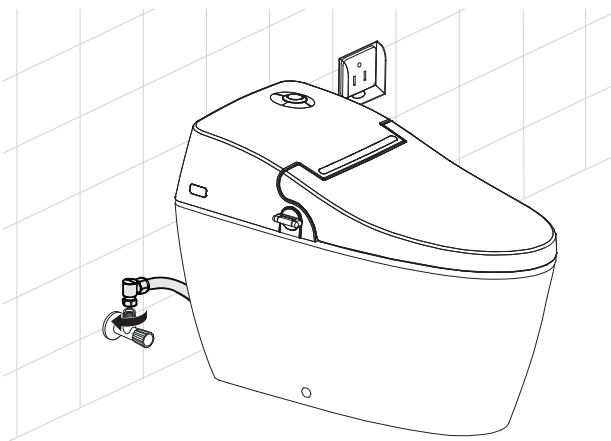


! When replacing the water line, please use a line that is 20 inches or longer.

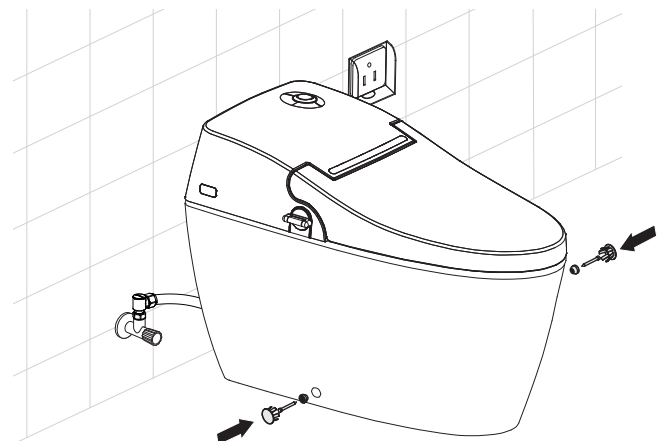
8



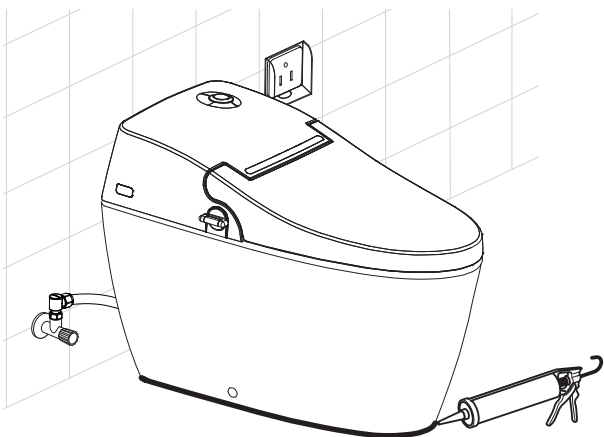
9



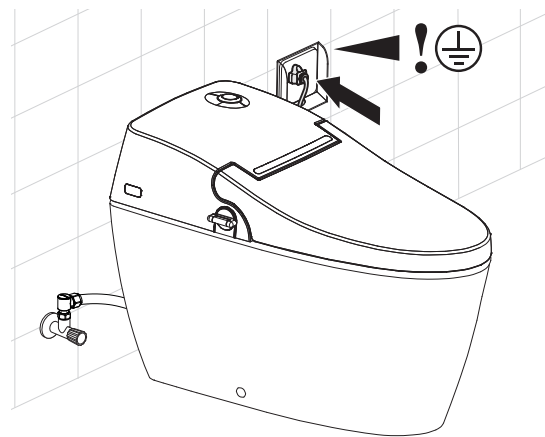
10



11



12

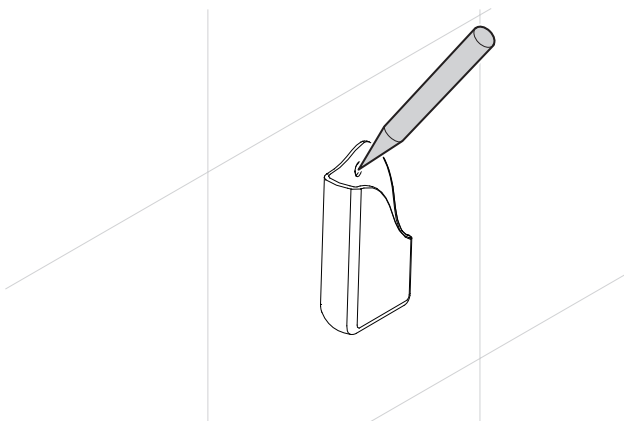


2

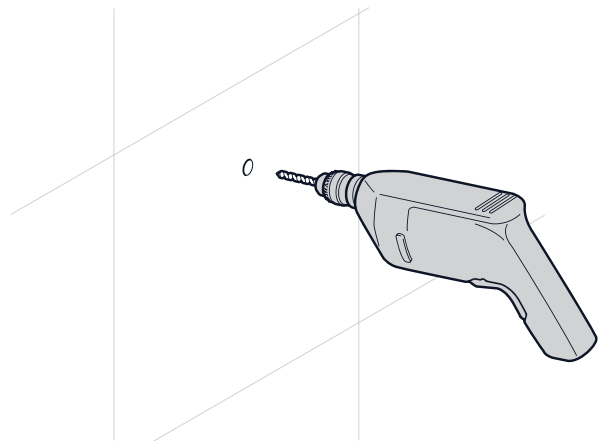


Before installation of the remote control holder, please ensure the remote functions properly where the holder will be installed. If the remote does not function properly, please move the remote closer to the seat or to another location nearby.

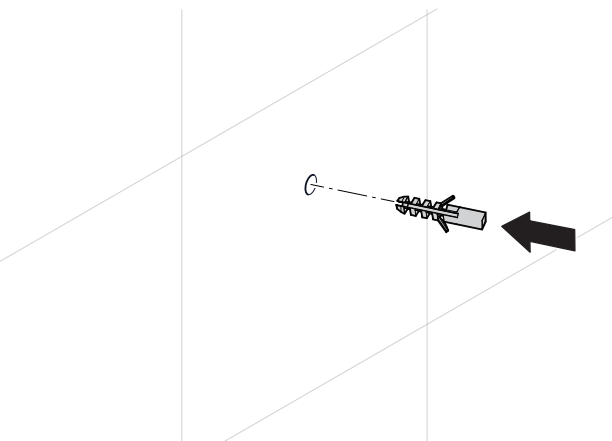
1



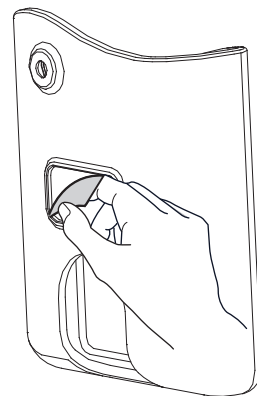
2



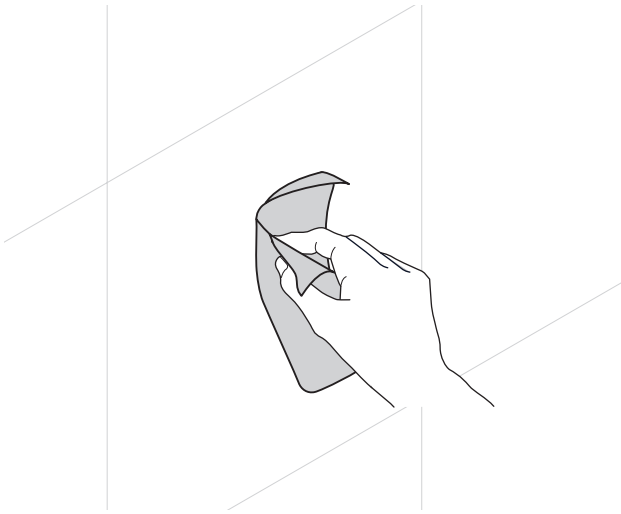
3



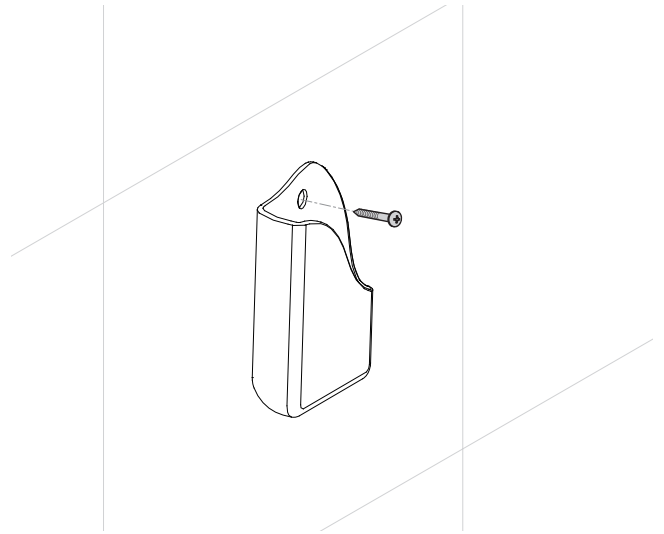
4



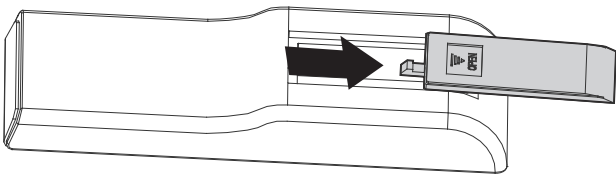
5



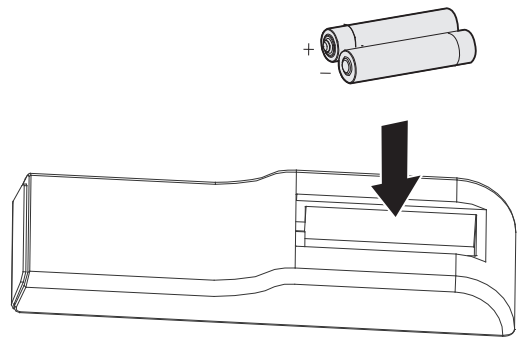
6



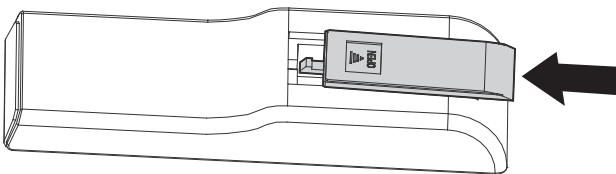
7



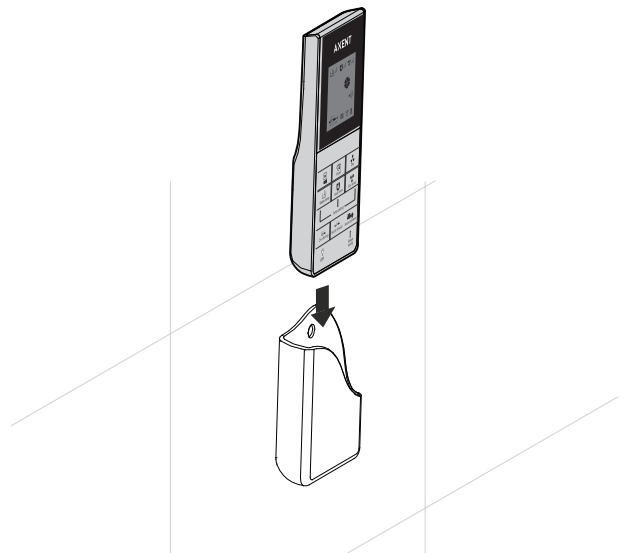
8



9

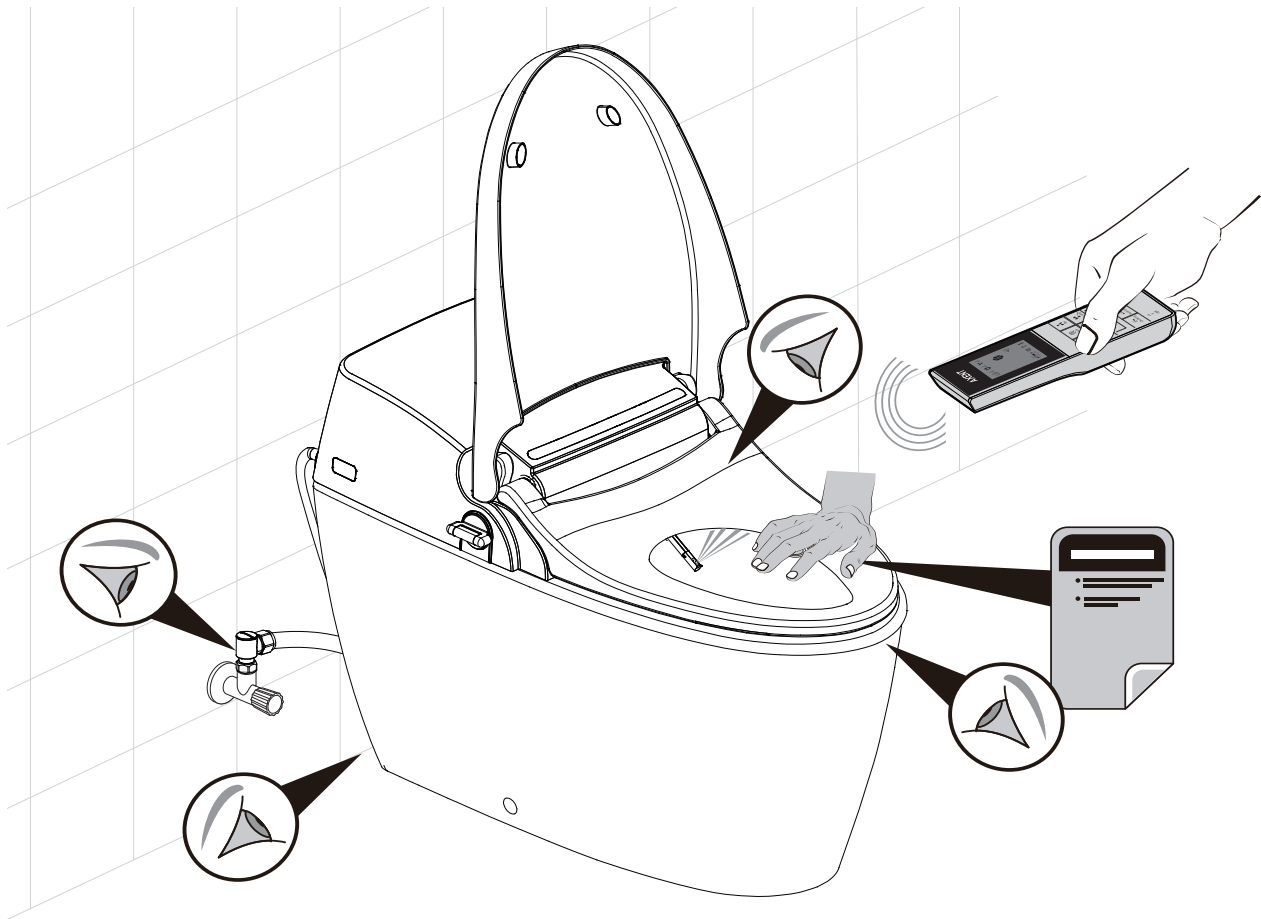


10



3

Test remote and bidet function after installation.



AXENT Corporation Ltd.

www.axentbath.us
support@axentproducts.com
1-800-769-4857