

artos[®]

TS172

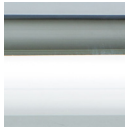
INSTALLATION GUIDE

trova shower set
with tub filler square

BRUSHED NICKEL(BN)



CHROME(CH)



BLACK (BK)



artos[®]

TS172

trova shower set
with tub filler square

OPERATING SPECIFICATIONS



MIXED WATER TEMPERATURE

Maximum: 120°F

INCLUDES

Shower Head & Arm
Valve Trim
Tub Filler with Diverter

OPERATING PRESSURE

Minimum: 20 psi
Maximum: 125 psi
Recommended: 30 psi - 95 psi
Operating pressures (on hot and cold lines) should be kept as balanced as possible, in order to assure the maximum efficiency.

HOT WATER SUPPLY TEMPERATURE

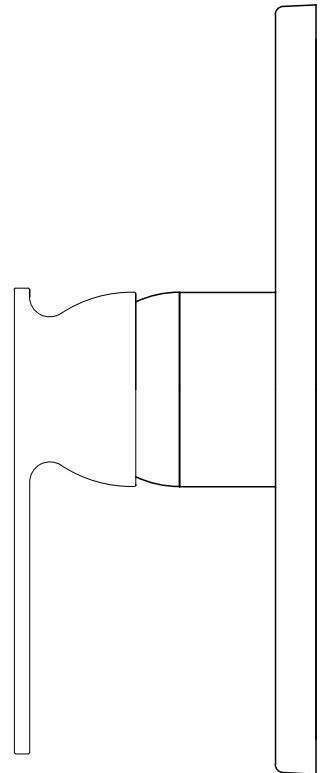
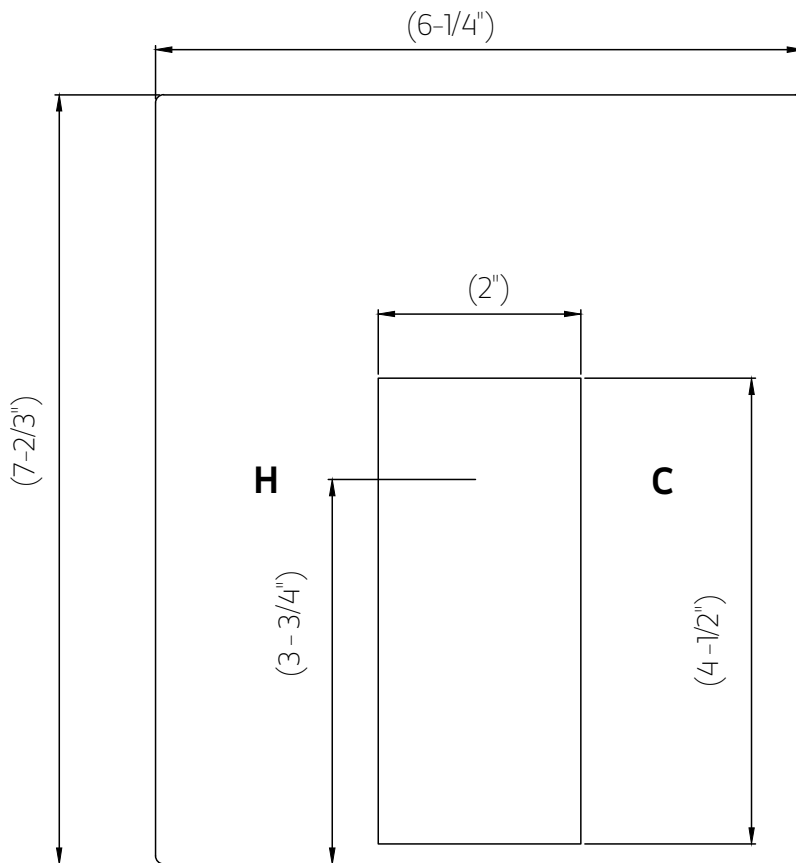
Maximum: 185°F
Minimum: 50°F
Advisable: 150°F - 160°F
Minimum difference between hot mixed temperature: 50°F

FLOW CAPACITY

Shower Head: 1.8 GPM
Tub Filler: 6.3 GPM

APPROVAL





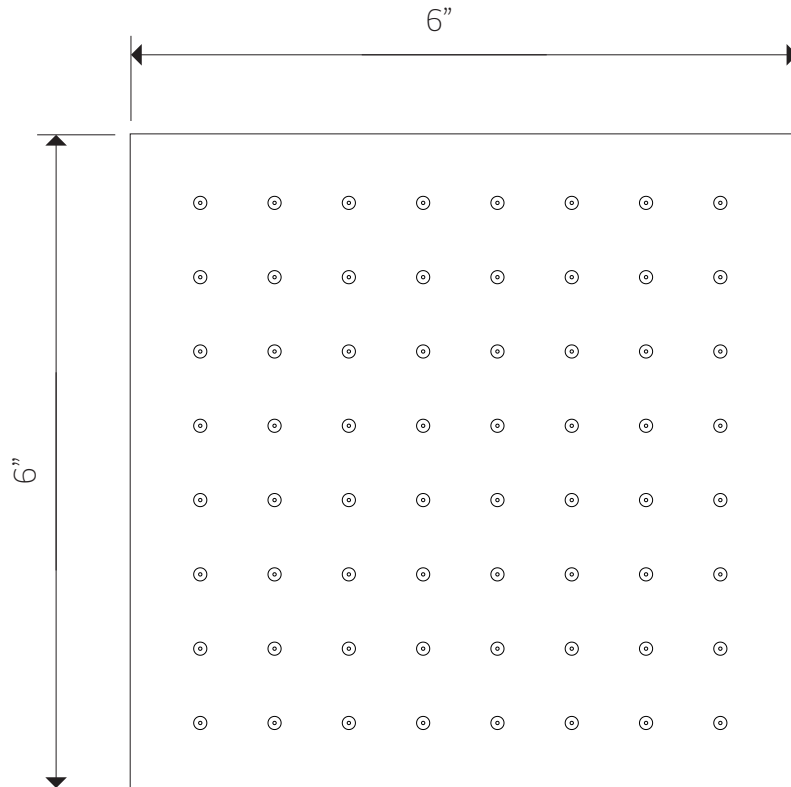
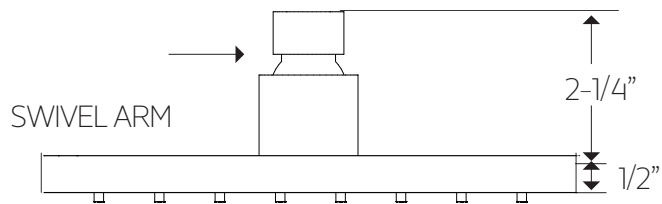
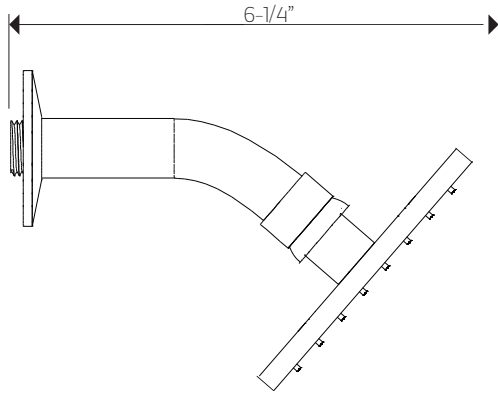
artos[®]

TS172

PRODUCT DIMENSIONS

trova shower set
with tub filler square

for shower head



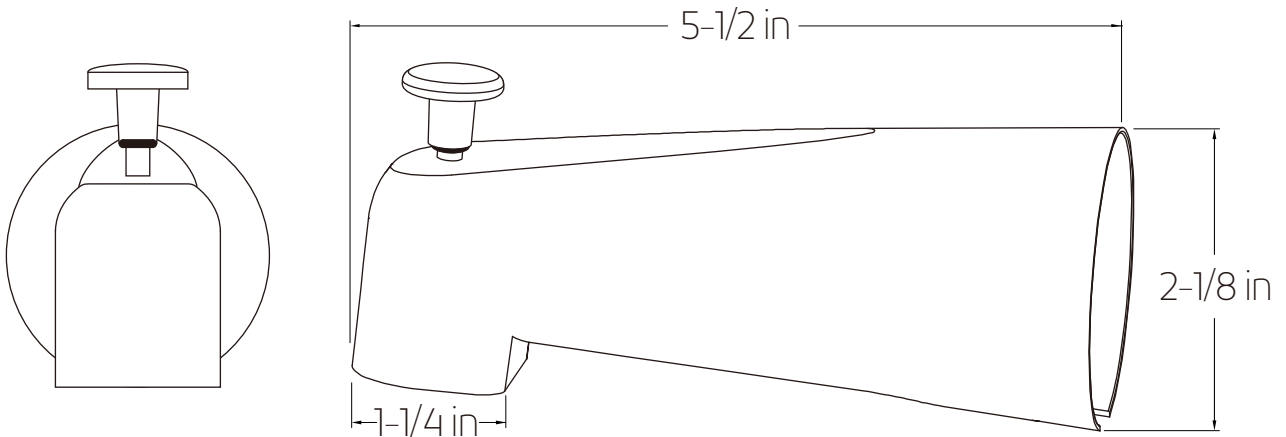
artos[®]

TS172

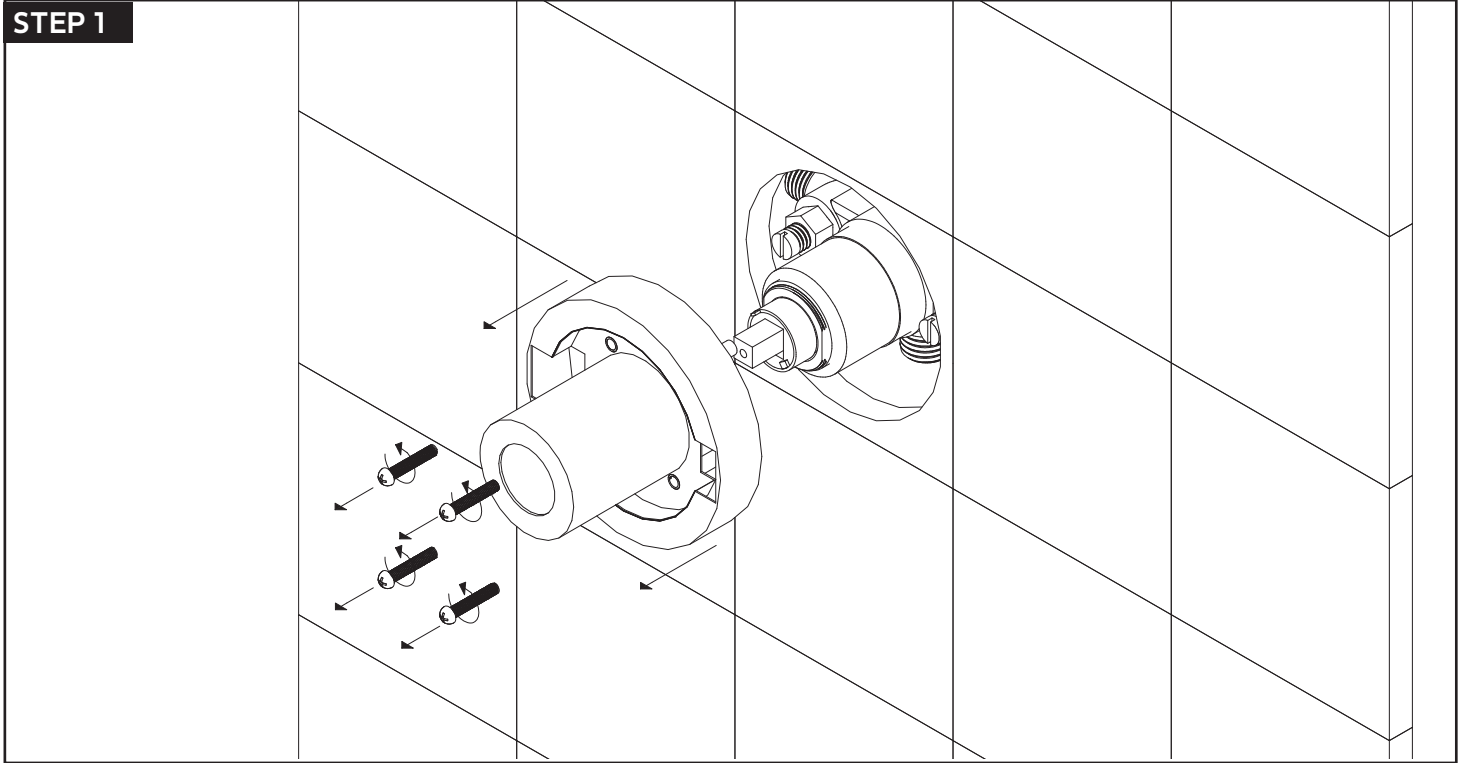
trova shower set
with tub filler square

PRODUCT DIMENSIONS

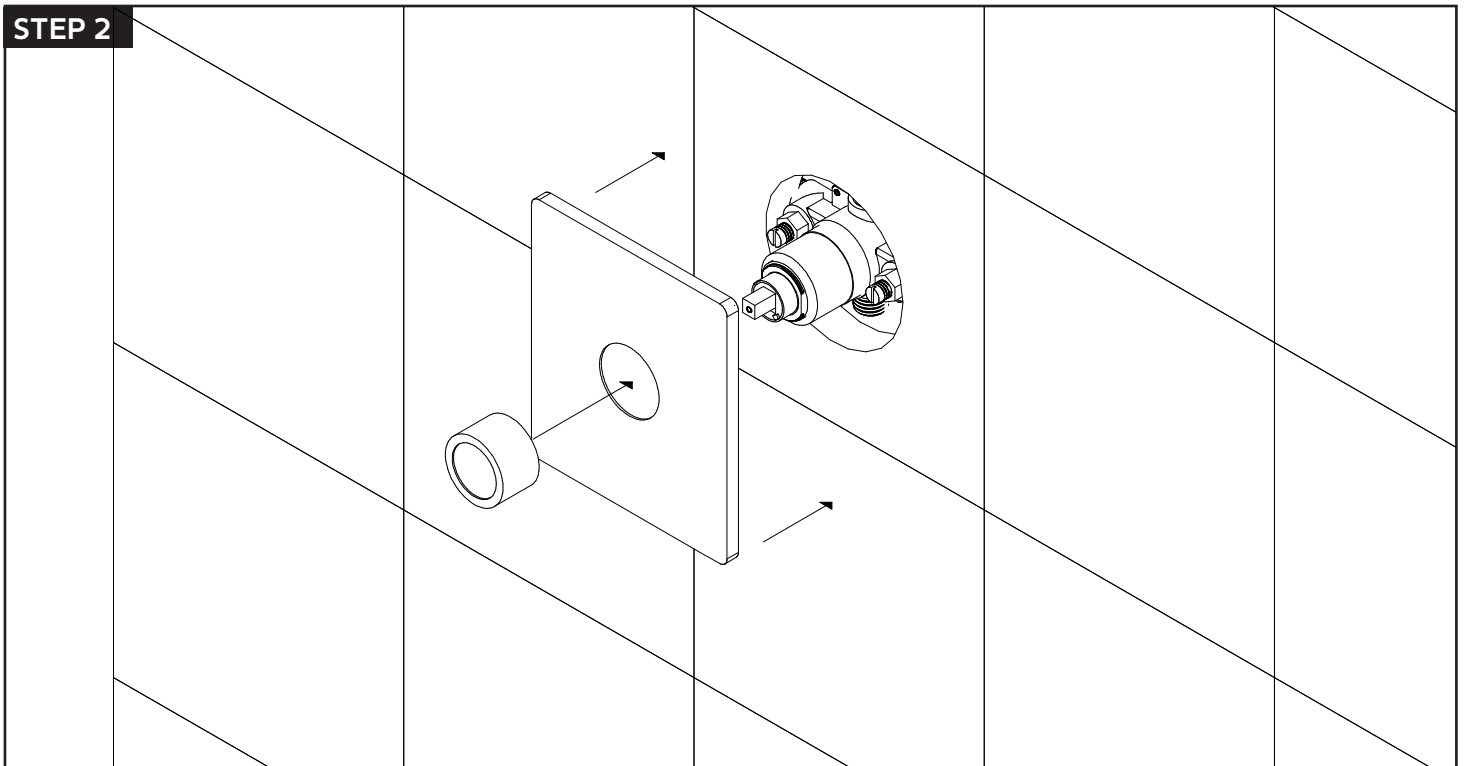
for tub filler



STEP 1

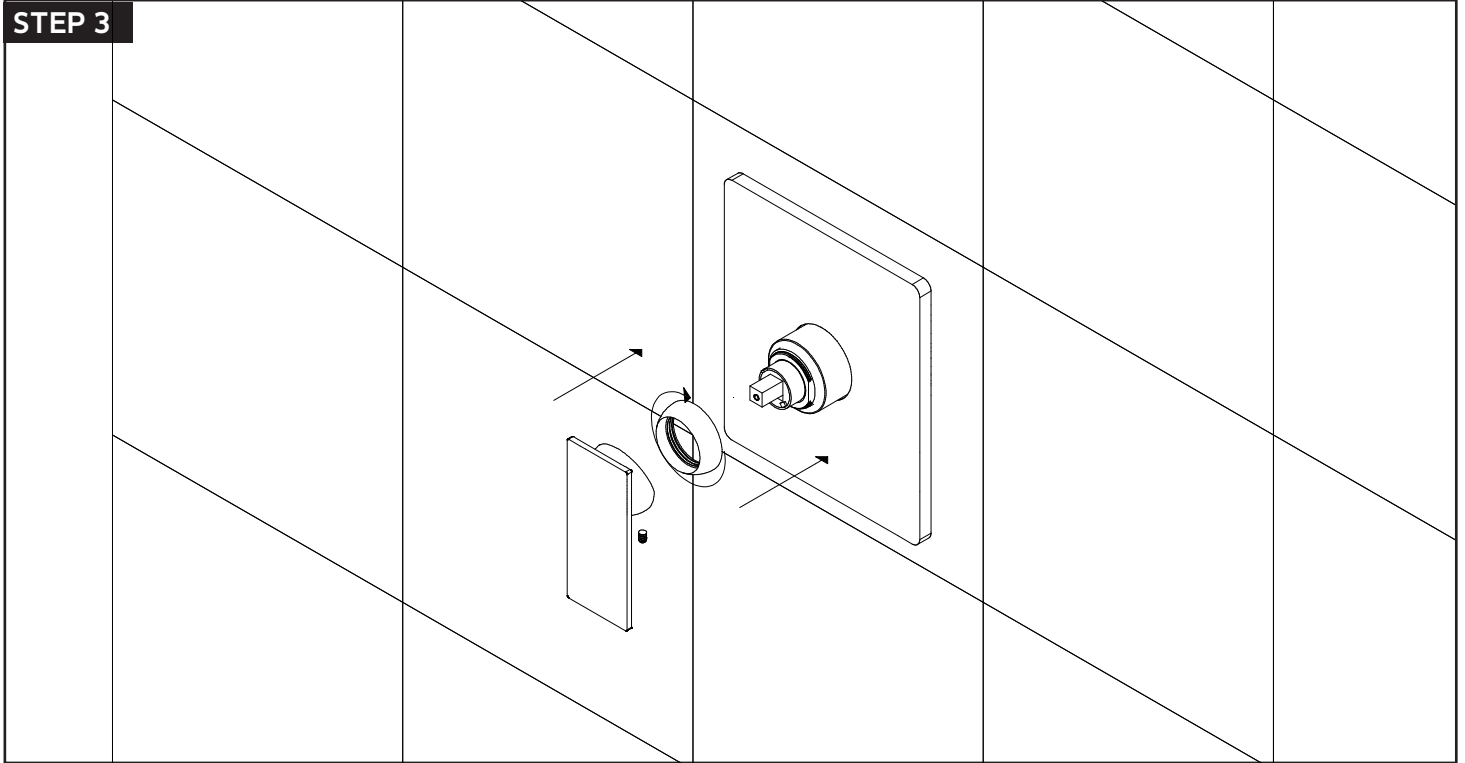


STEP 2

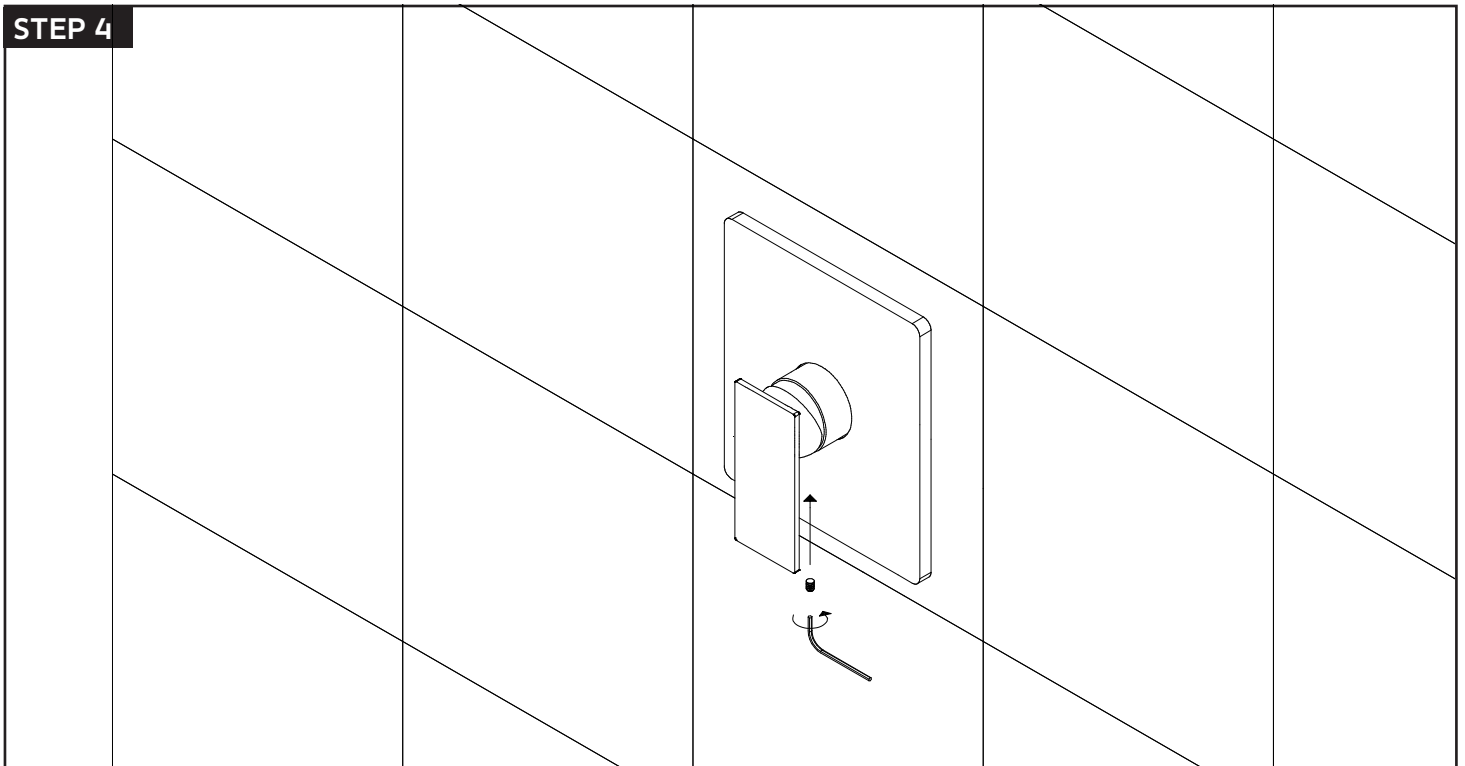


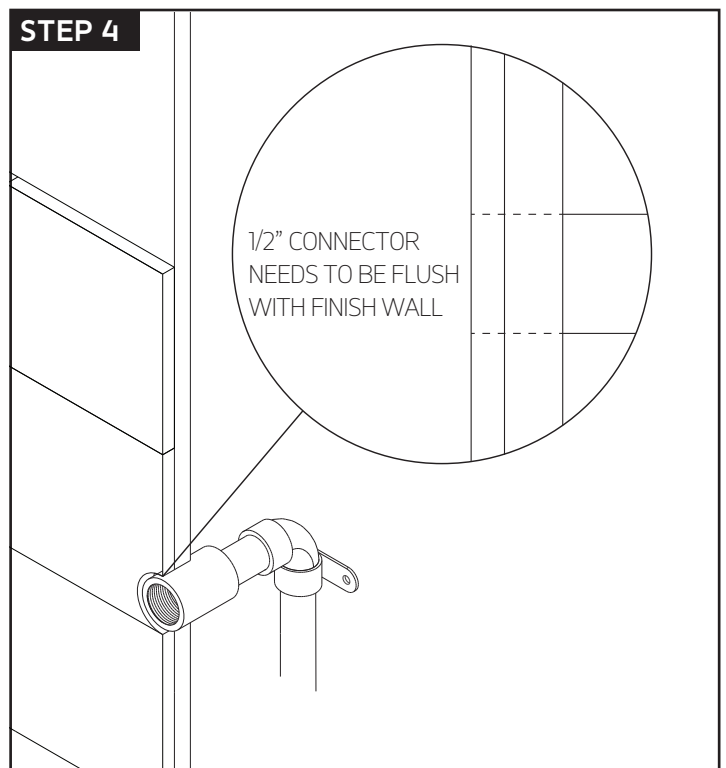
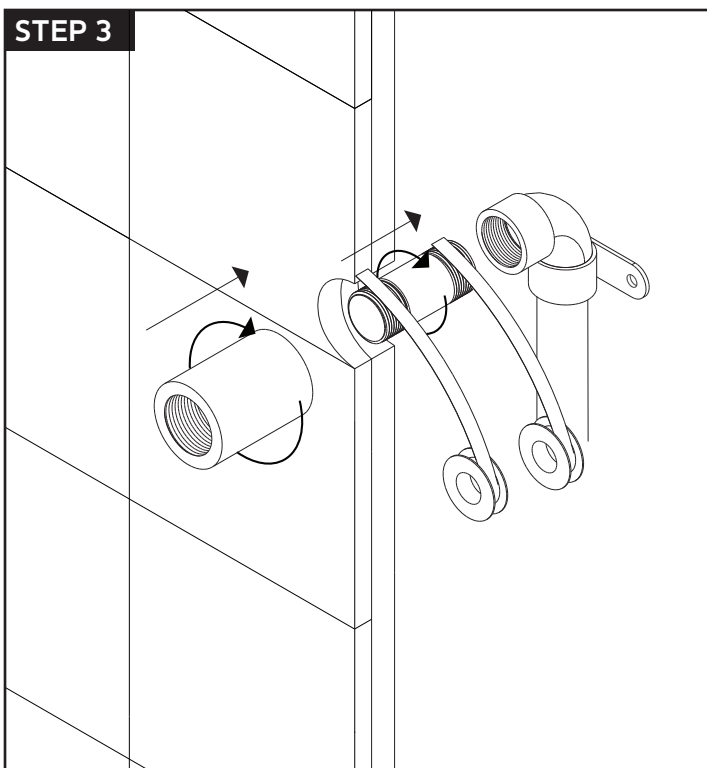
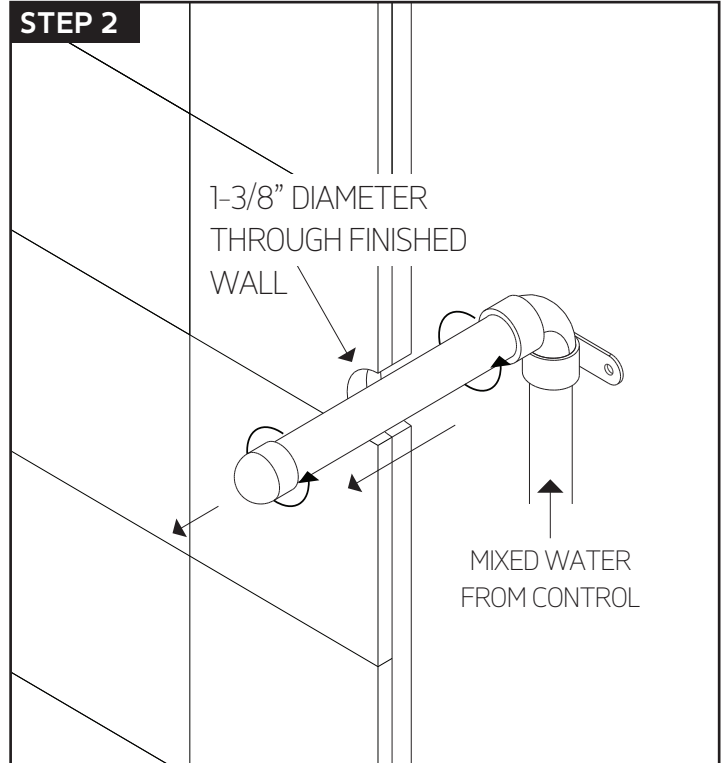
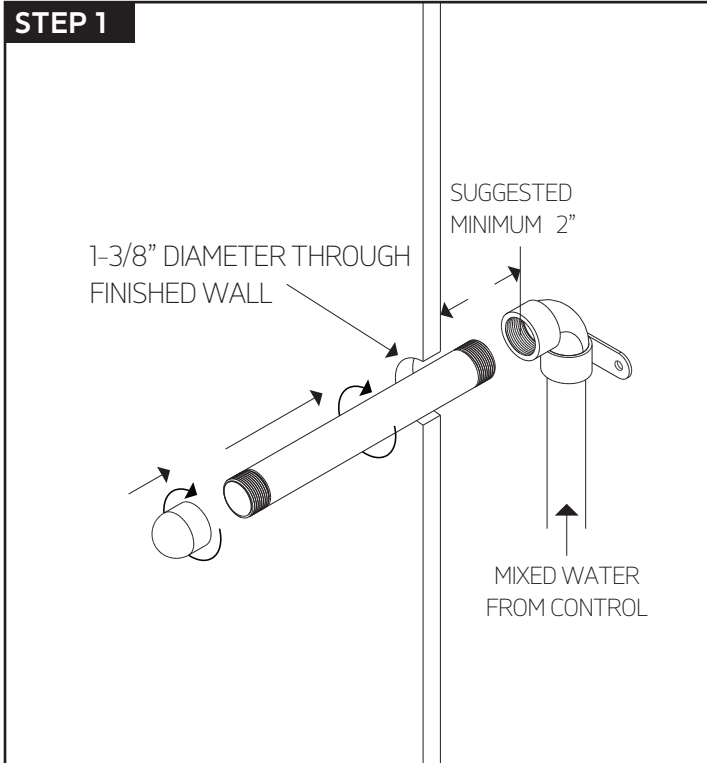
INSTALLATION STEPS

STEP 3



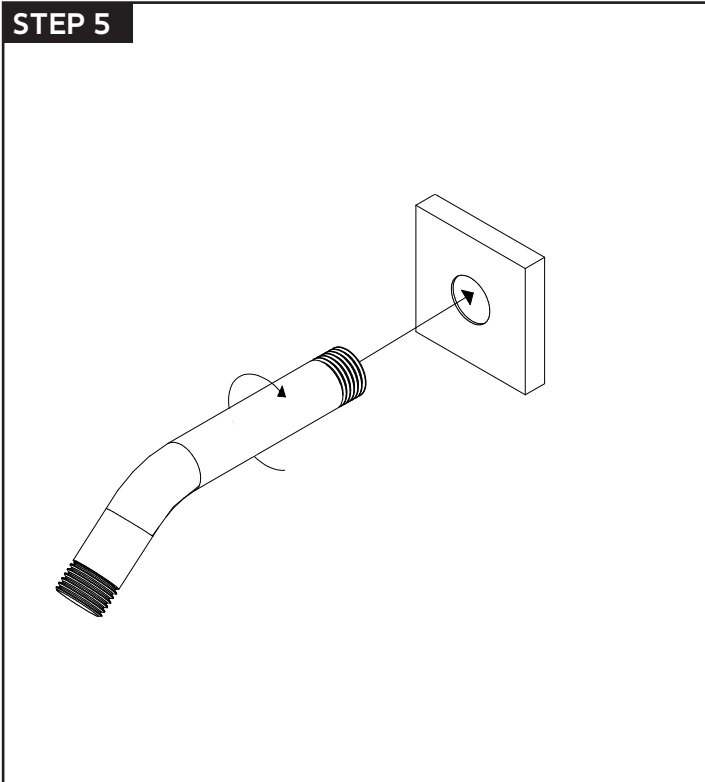
STEP 4



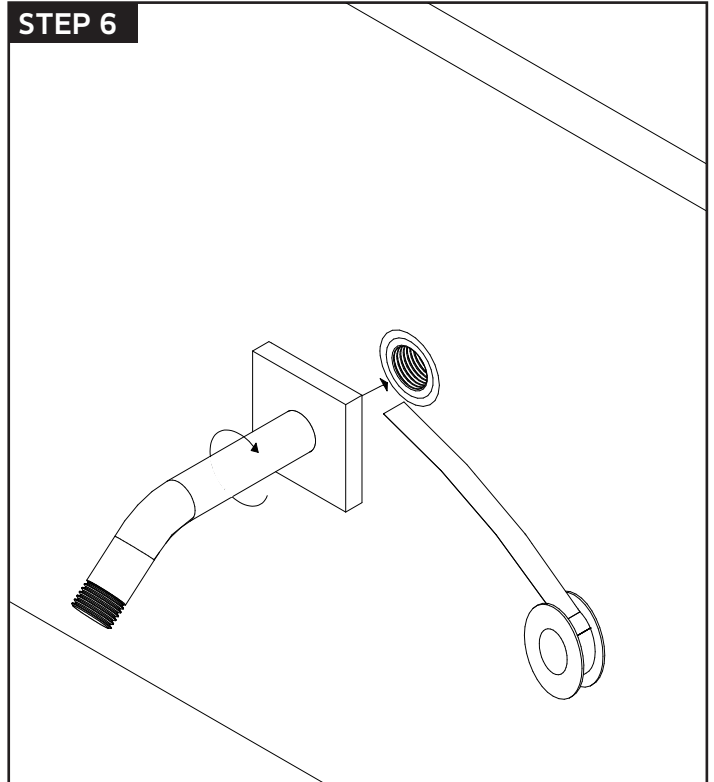


INSTALLATION STEPS

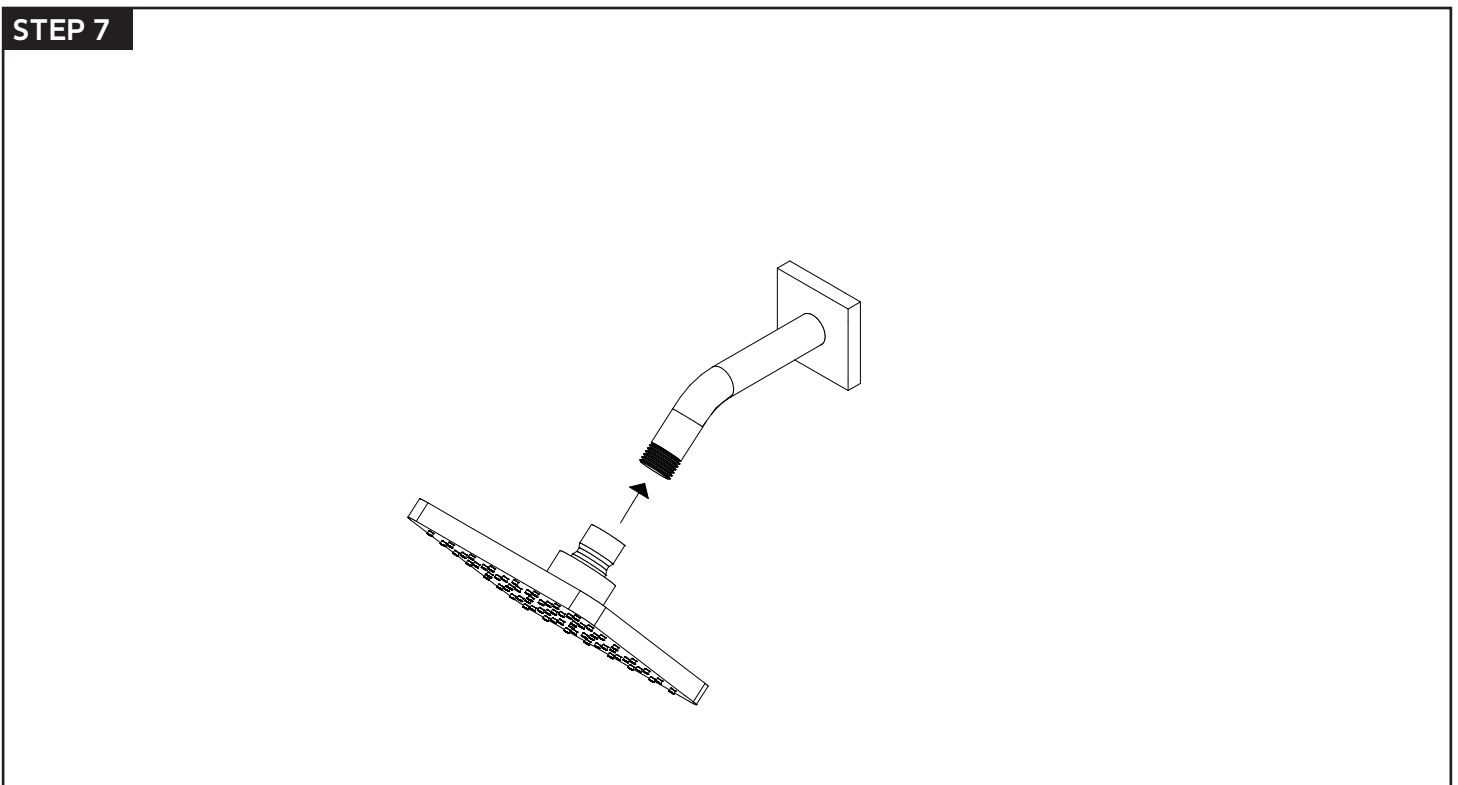
STEP 5



STEP 6

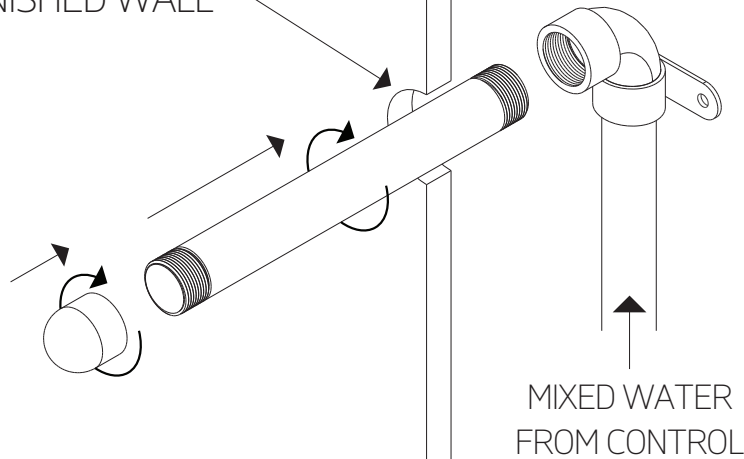


STEP 7



STEP 1

1-5/8" DIAMETER THROUGH
FINISHED WALL

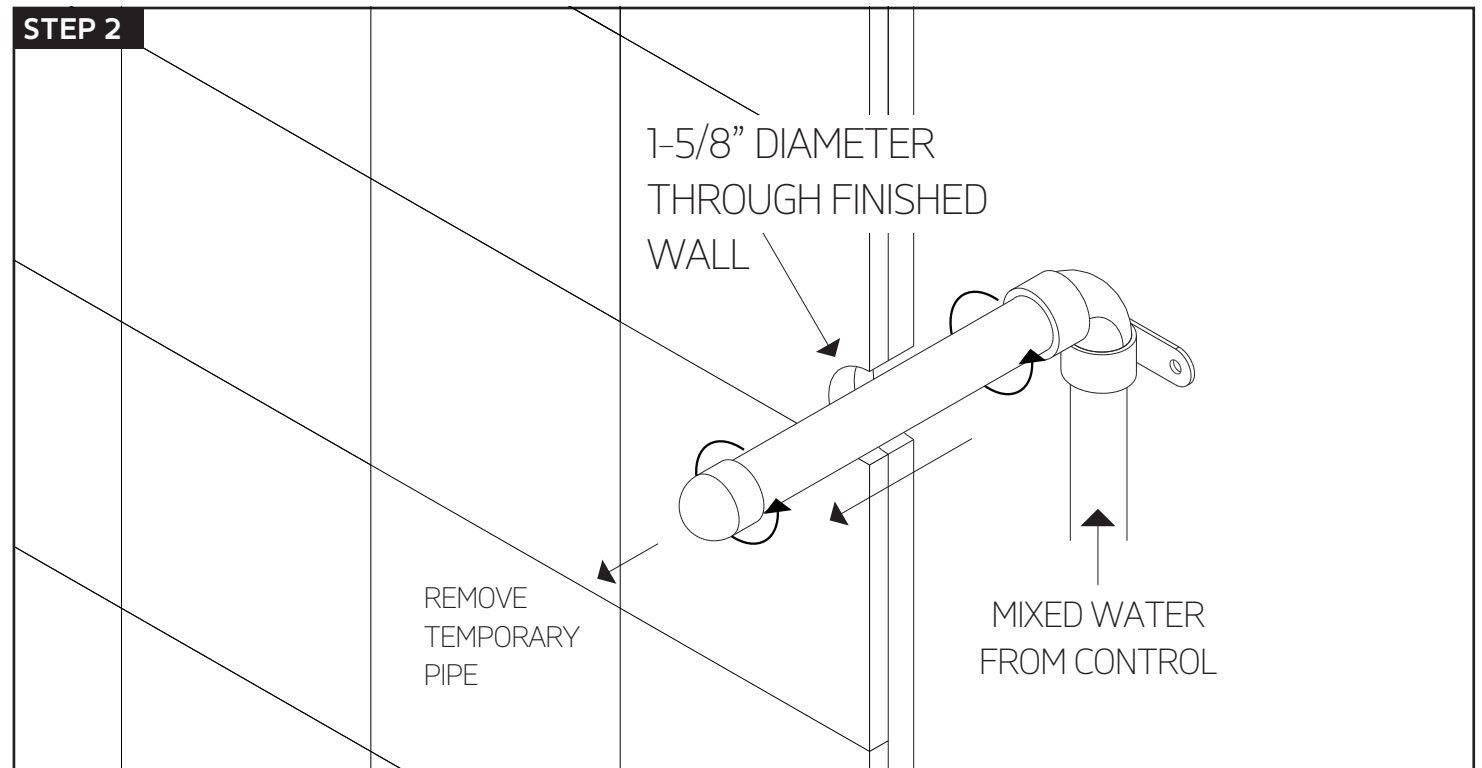


STEP 2

1-5/8" DIAMETER
THROUGH FINISHED
WALL

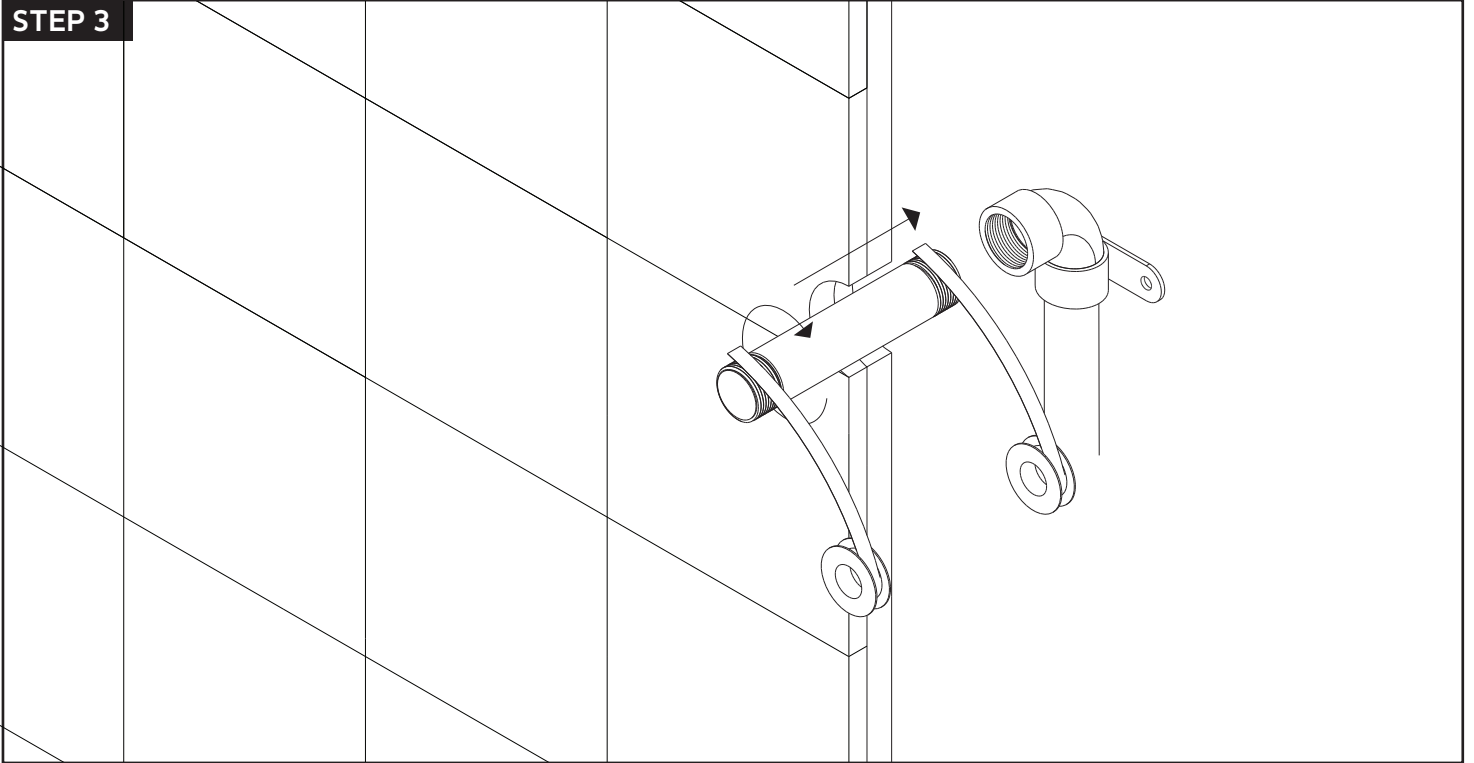
REMOVE
TEMPORARY
PIPE

MIXED WATER
FROM CONTROL

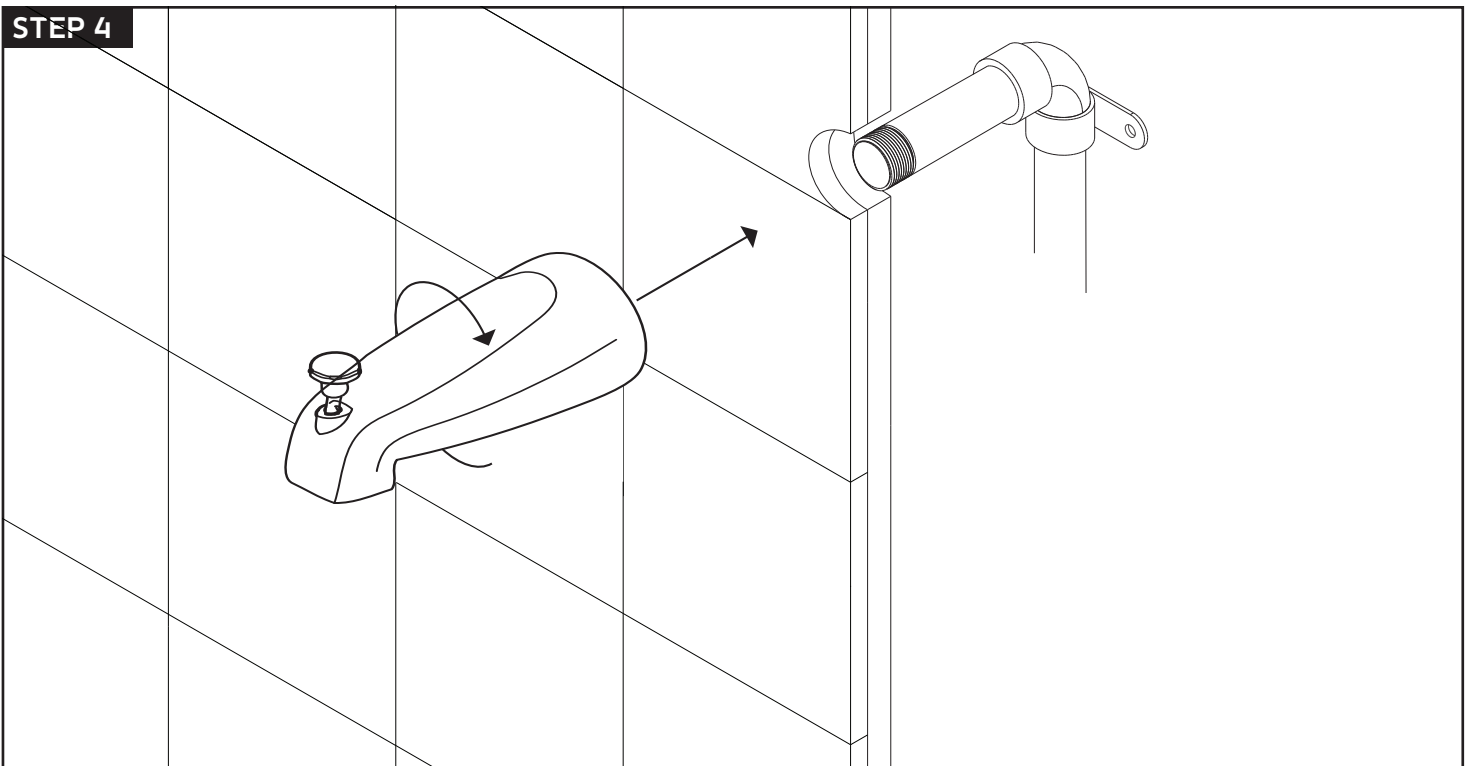


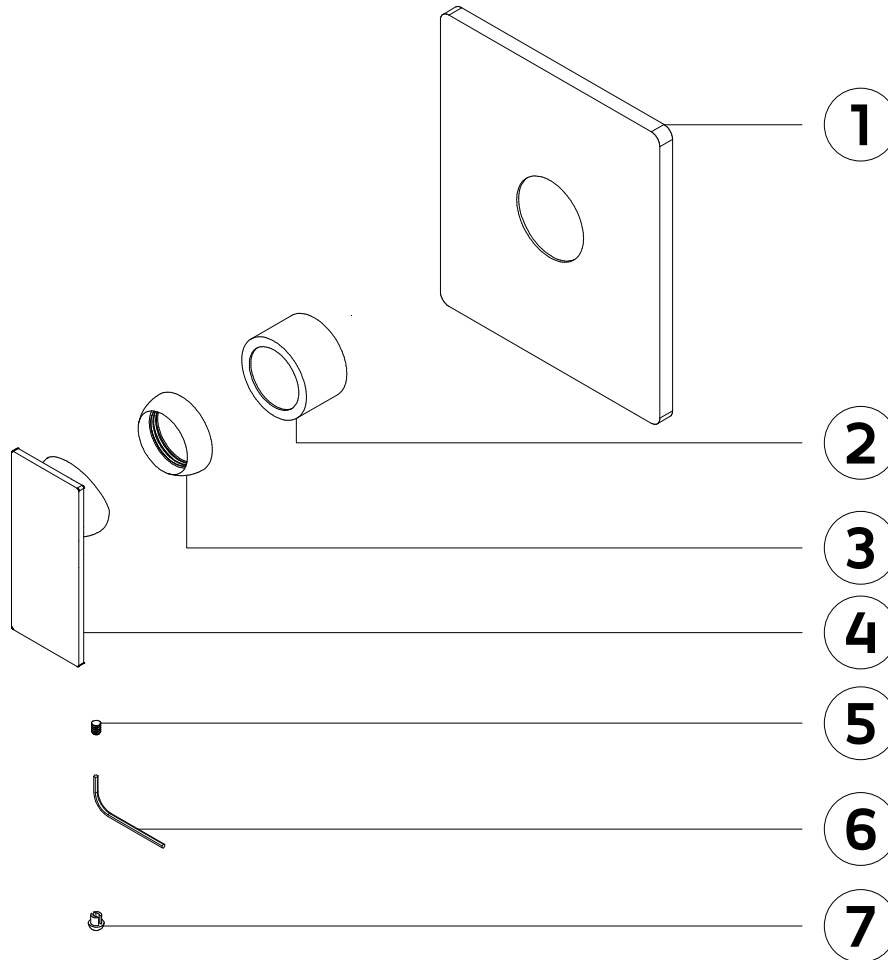
INSTALLATION STEPS

STEP 3



STEP 4





- 1 ESCUTCHEON**
- 2 SLEEVE**
- 3 DRESS RING**
- 4 CONTROL HANDLE**
- 5 CONTROL HANDLE SET SCREW**
- 6 ALLEN WRENCH**
- 7 SET SCREW CAP**

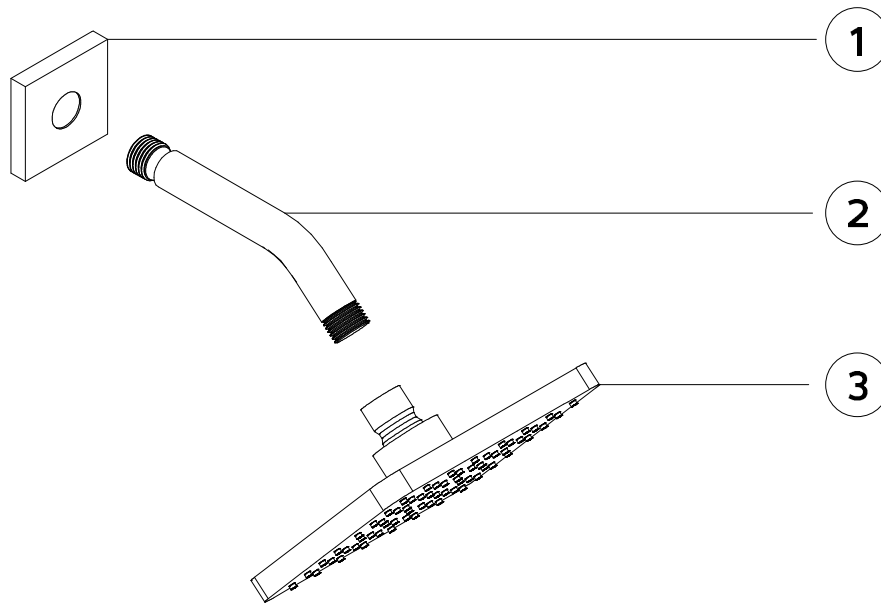
artos[®]

TS172

trova shower set
with tub filler square

PARTS BREAKDOWN

for shower head



- 1 SHOWER ARM ESCUTCHEON
- 2 SHOWER ARM
- 3 SHOWER HEAD