

# artos<sup>®</sup>

## TS171

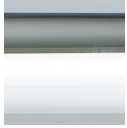
## INSTALLATION GUIDE

trova shower set square

BRUSHED NICKEL(BN)



CHROME(CH)



BLACK (BK)



# artos<sup>®</sup>

TS171

## OPERATING SPECIFICATIONS

trova shower set square



### MIXED WATER TEMPERATURE

Maximum: 120°F

### INCLUDES

Shower Head & Arm  
Valve Trim

### OPERATING PRESSURE

Minimum: 20 psi

Maximum: 125 psi

Recommended: 30 psi - 95 psi

Operating pressures (on hot and cold lines) should be kept as balanced as possible, in order to assure the maximum efficiency.

### HOT WATER SUPPLY TEMPERATURE

Maximum: 185°F

Minimum: 50°F

Advisable: 150°F - 160°F

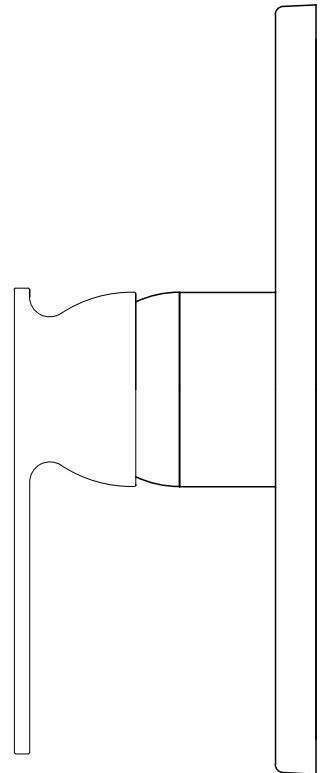
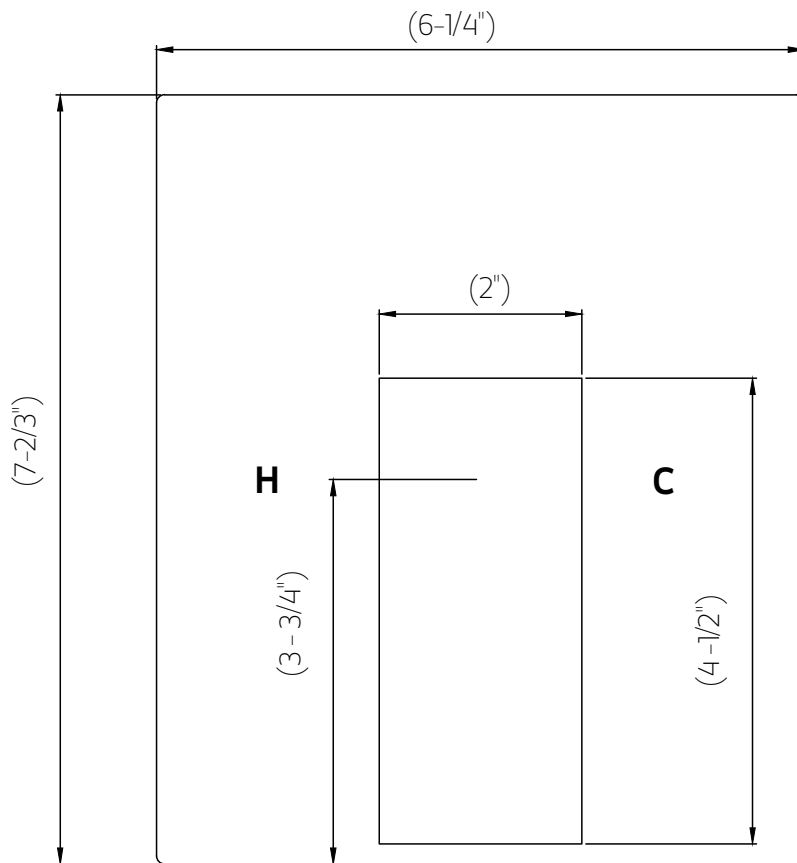
Minimum difference between hot mixed temperature: 50°F

### FLOW CAPACITY

Shower Head: 1.8 GPM

### APPROVAL





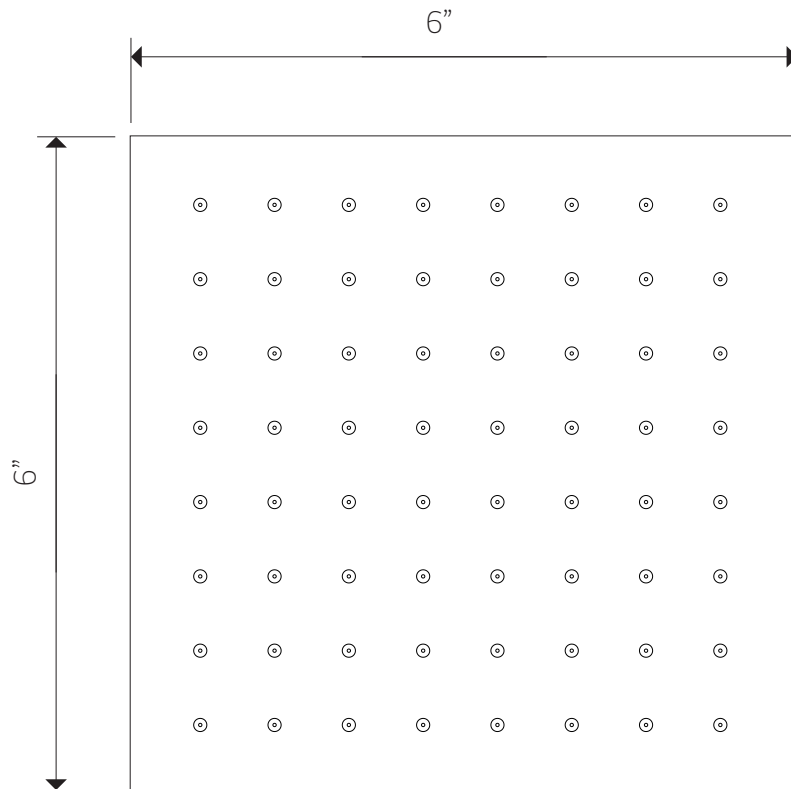
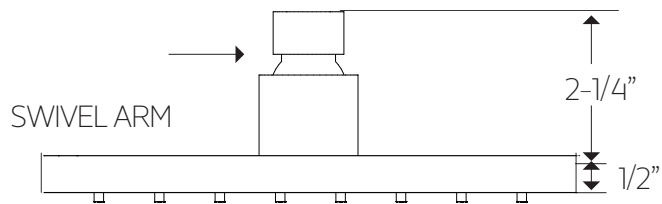
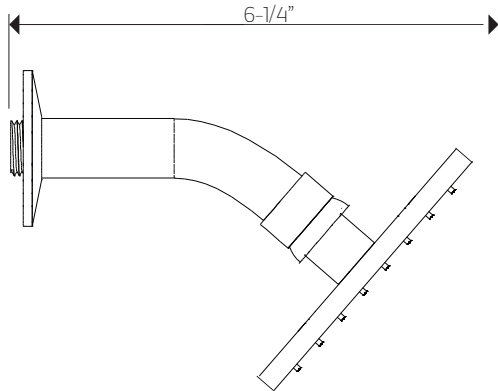
# artos<sup>®</sup>

TS171

## PRODUCT DIMENSIONS

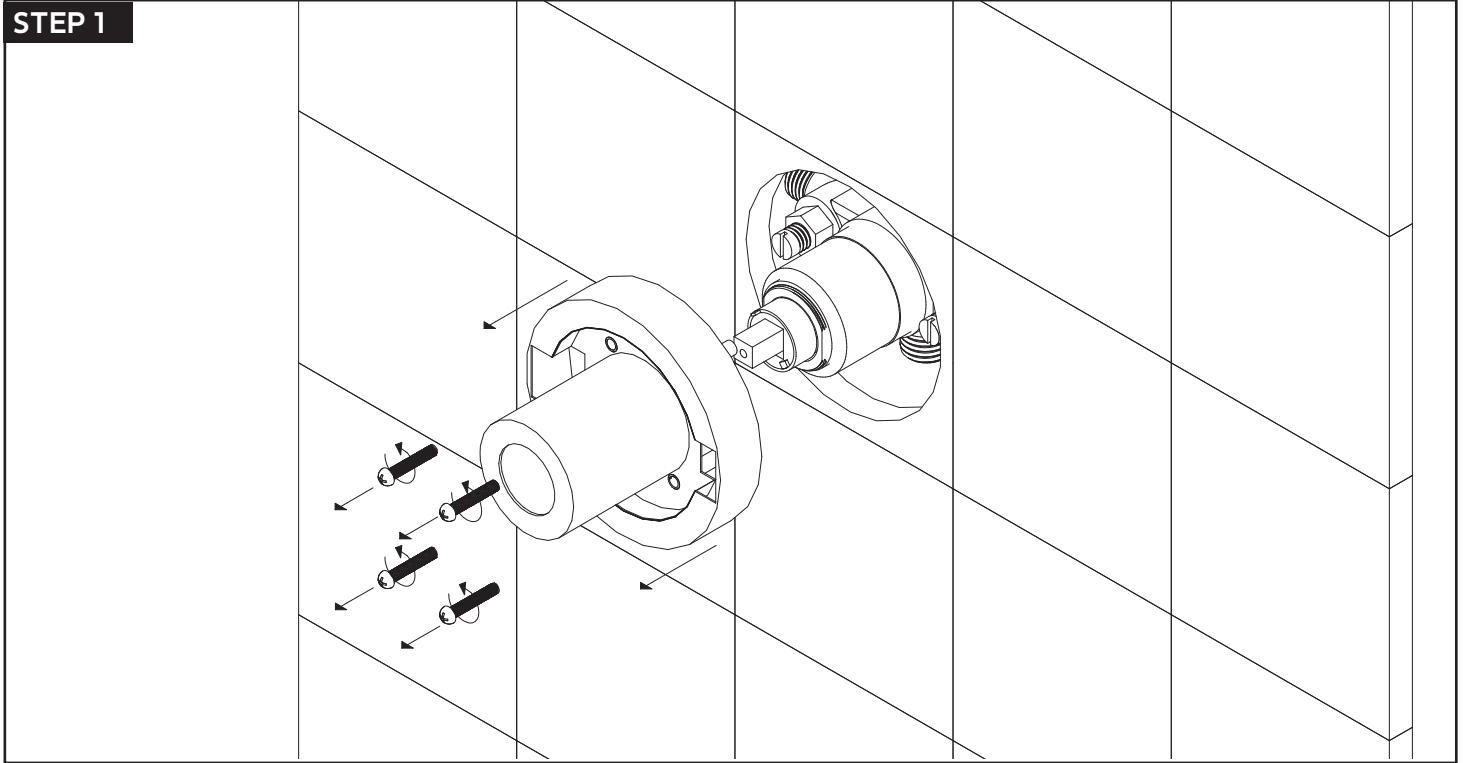
trova shower set square

for shower head

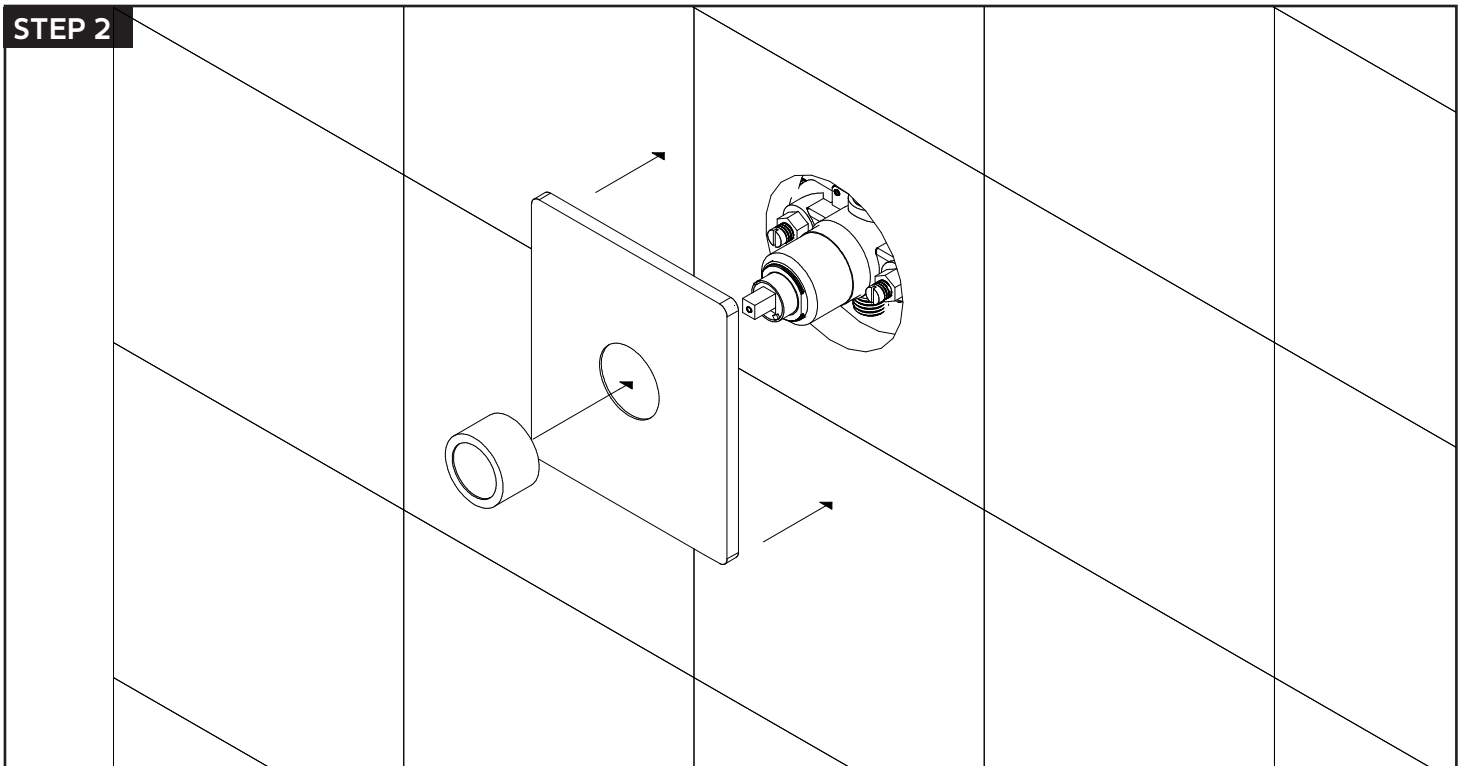


valve trim

STEP 1

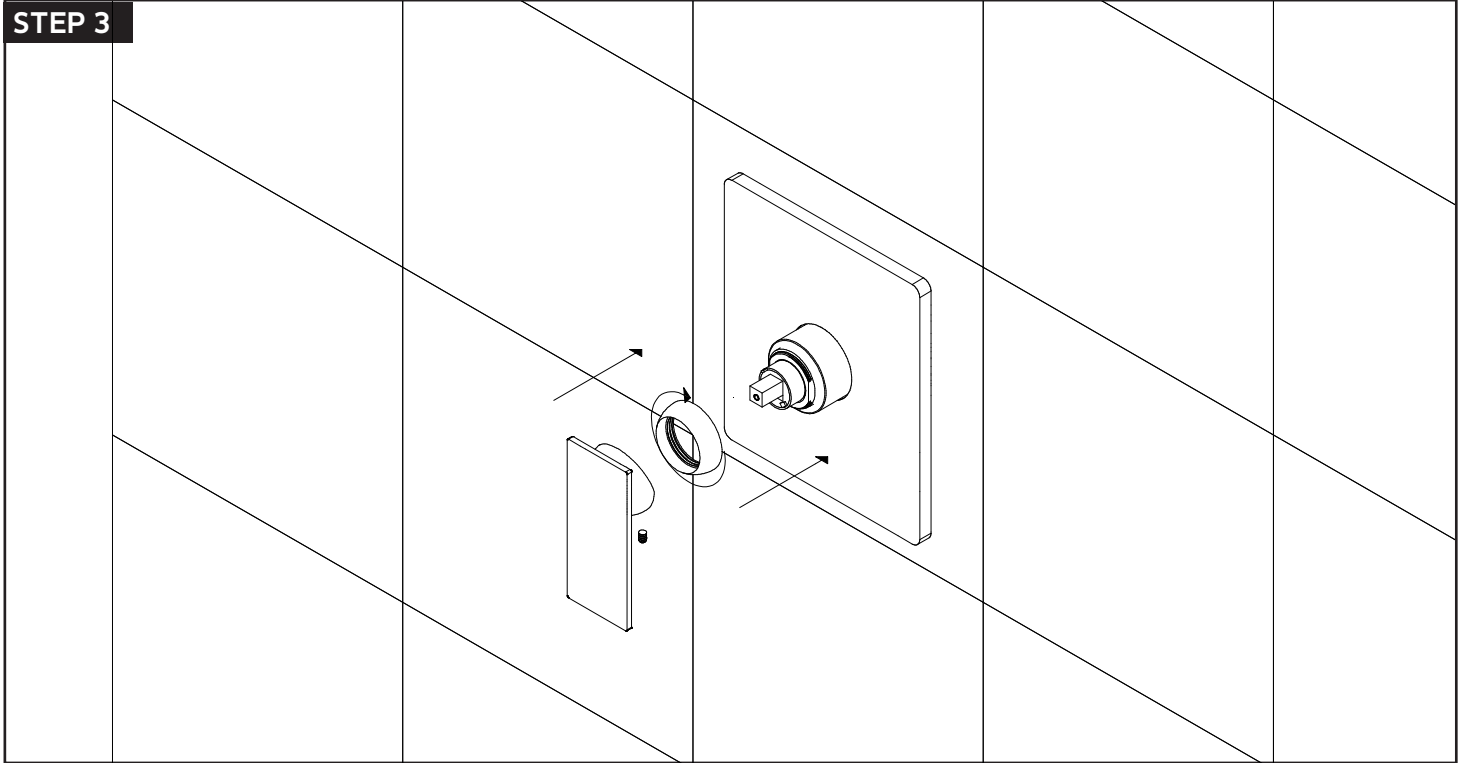


STEP 2

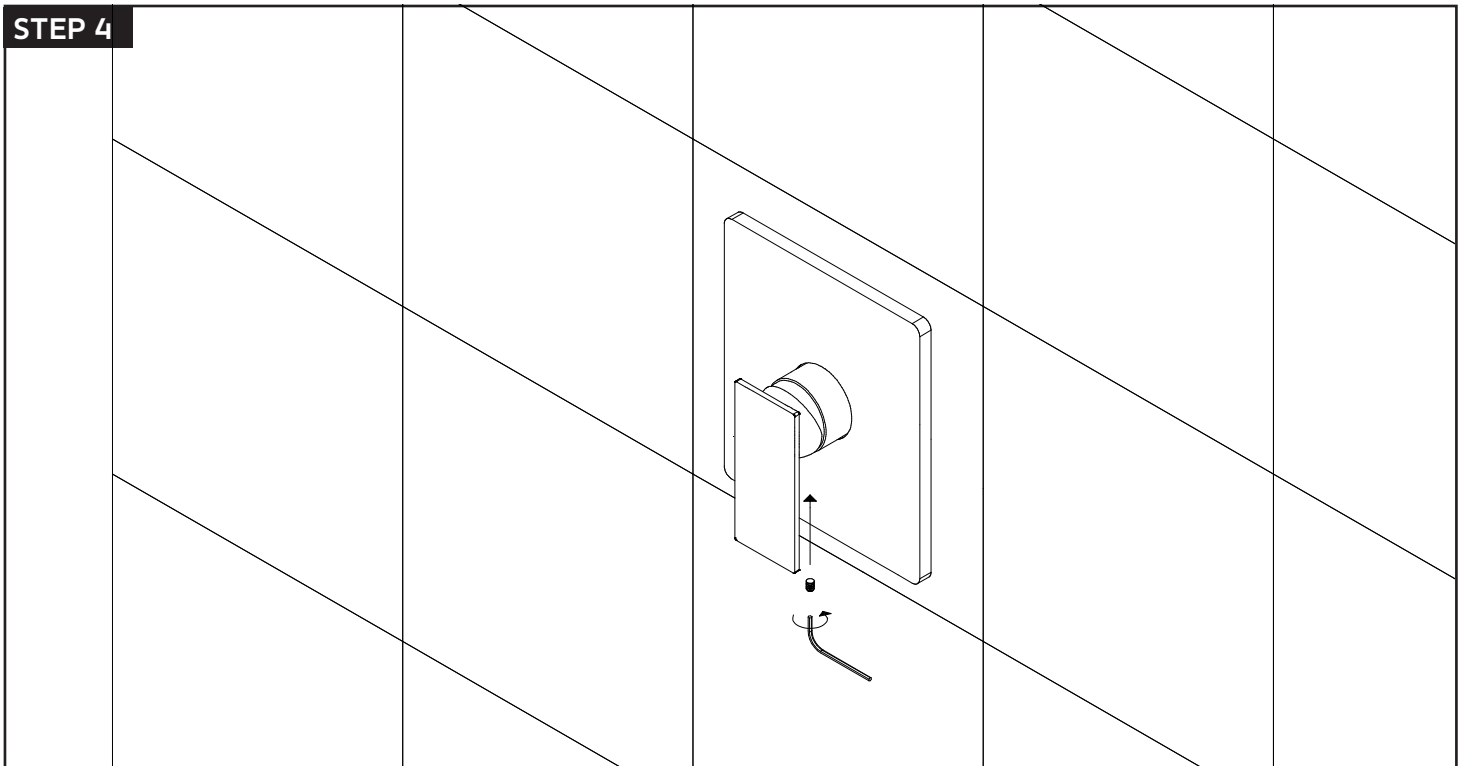


valve trim

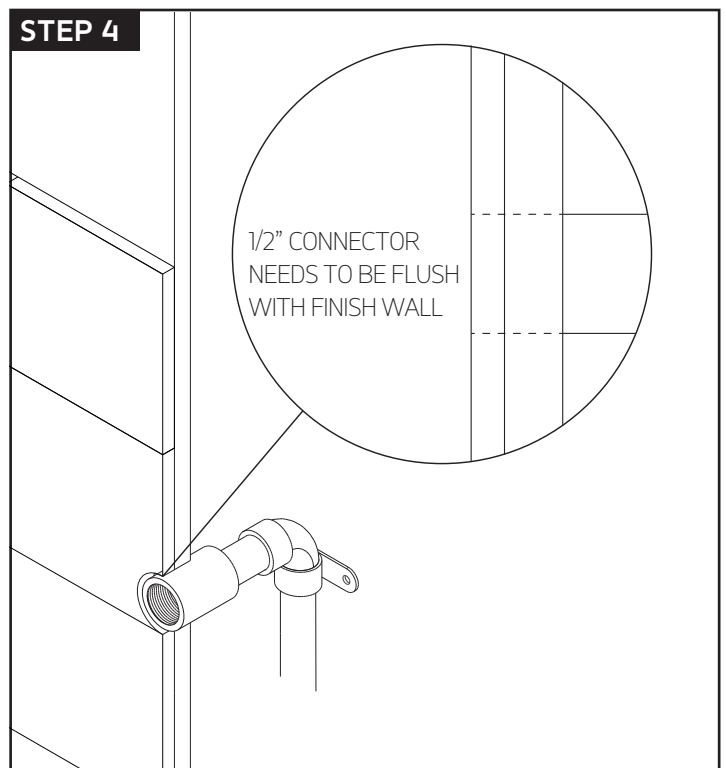
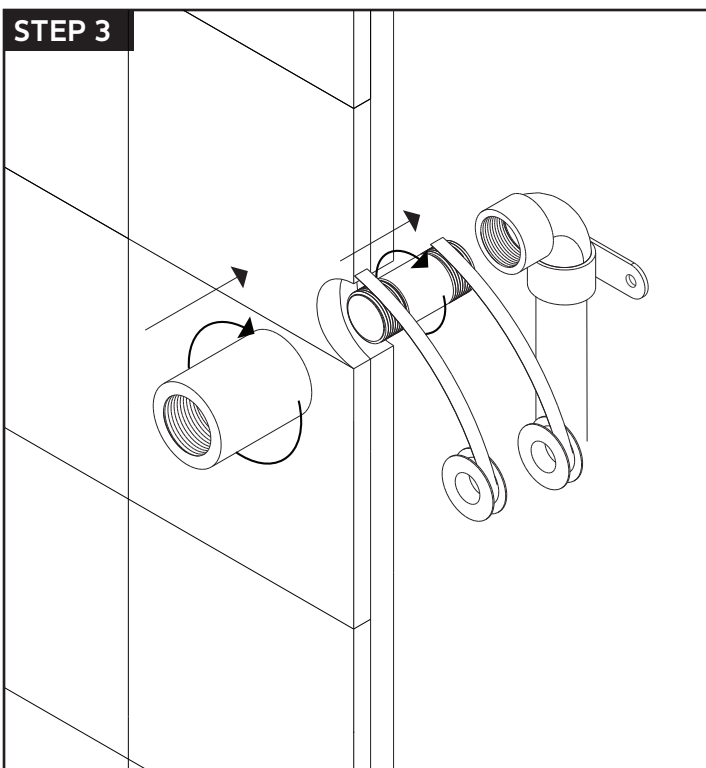
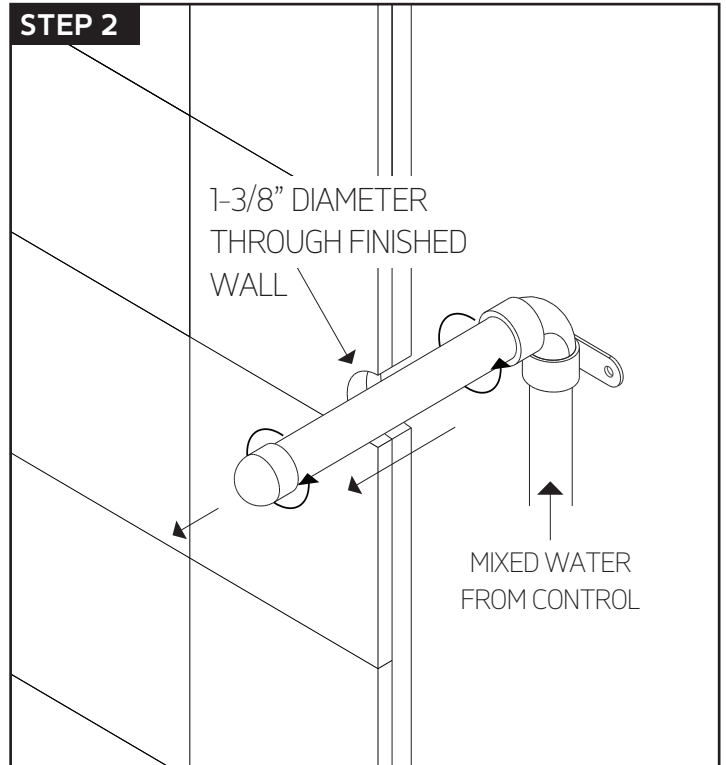
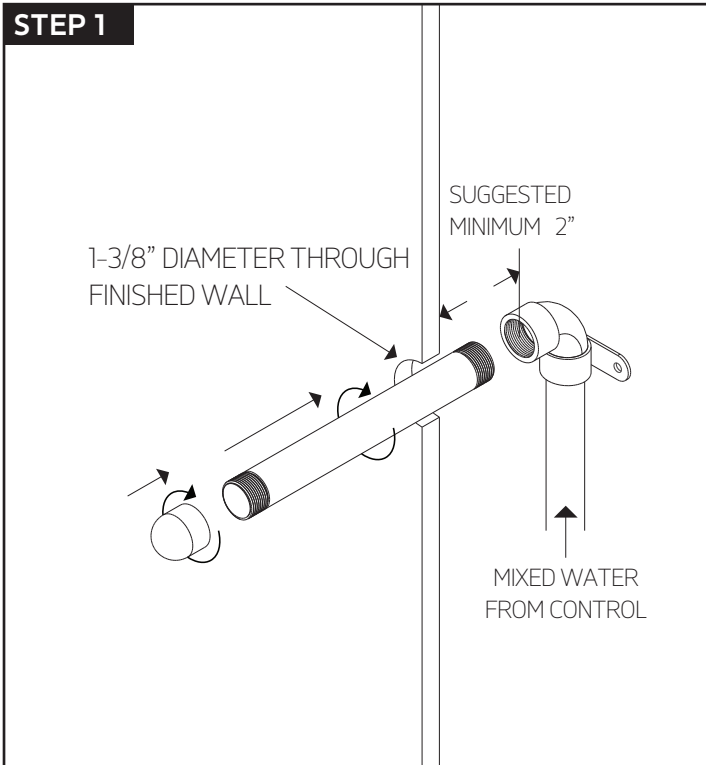
STEP 3



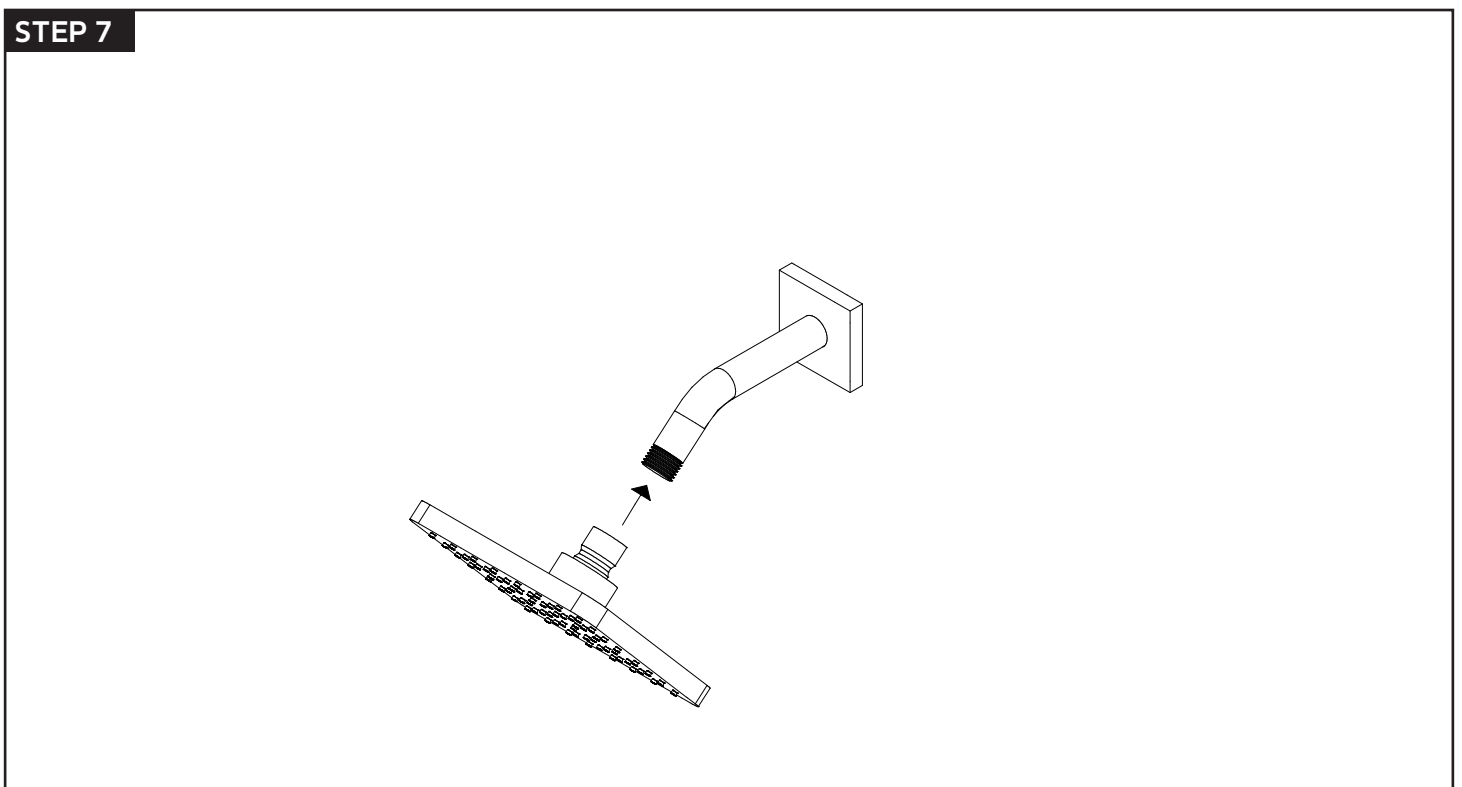
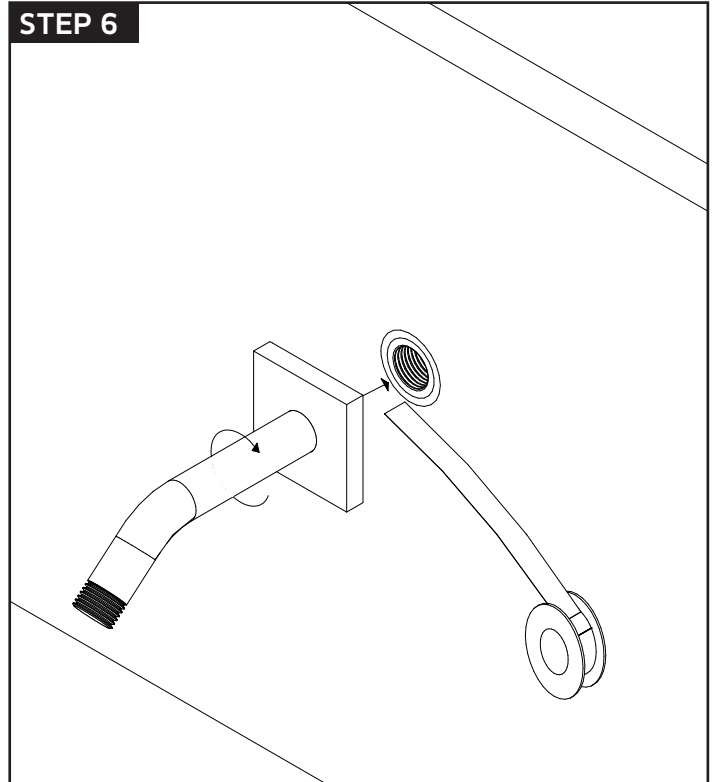
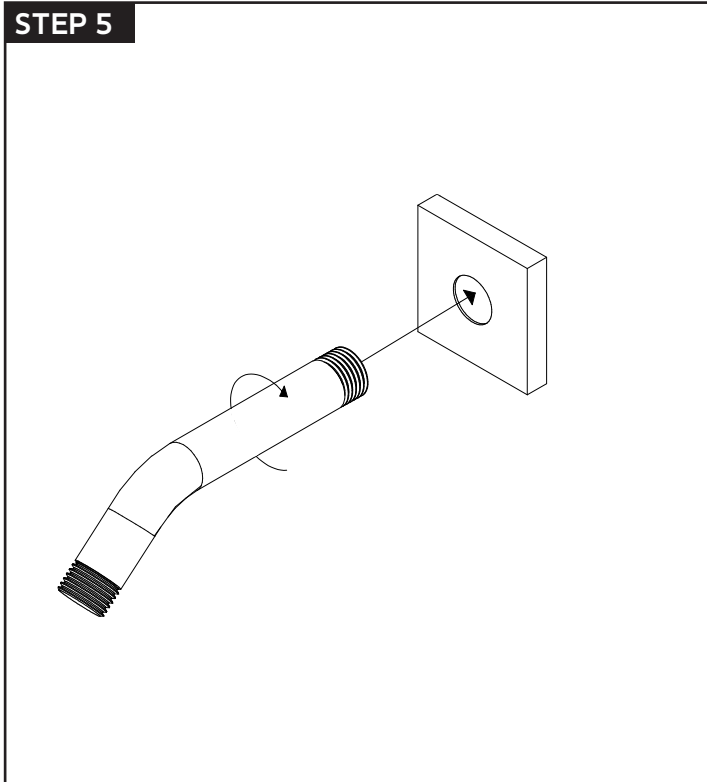
STEP 4

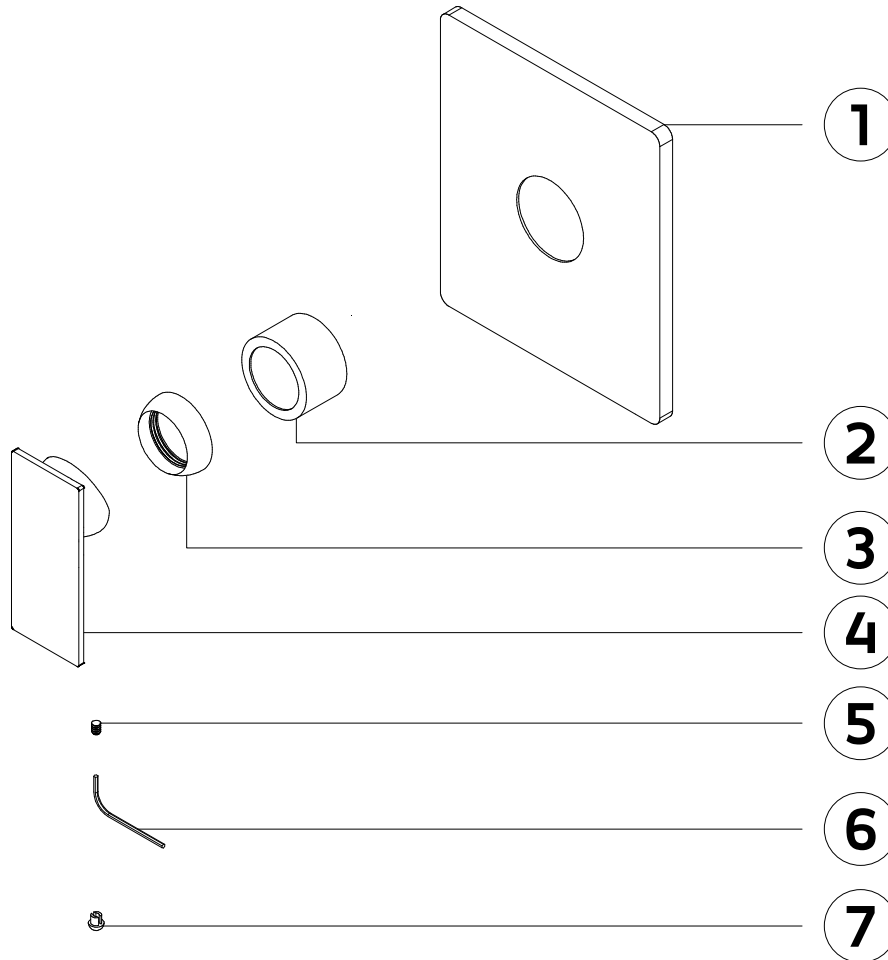


shower head

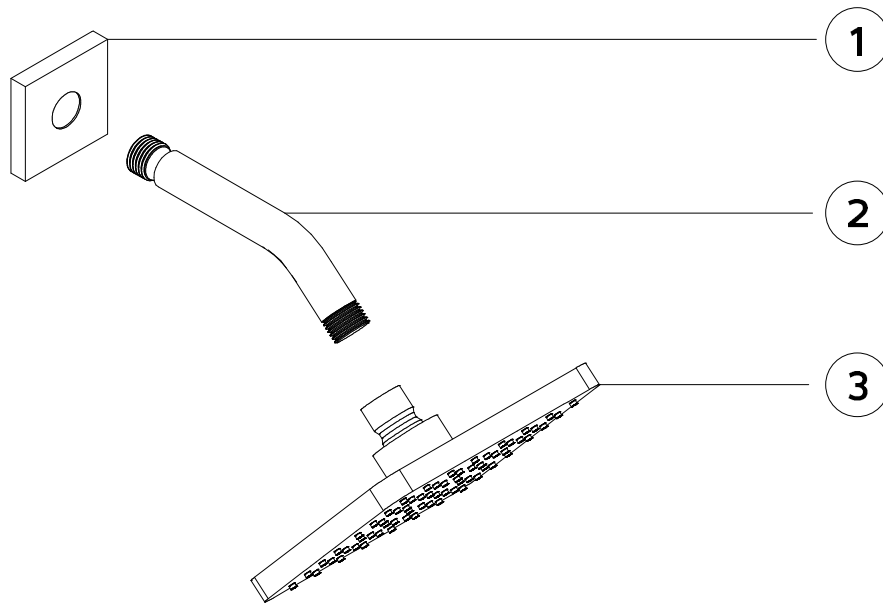


shower head





- ① ESCUTCHEON
- ② SLEEVE
- ③ DRESS RING
- ④ CONTROL HANDLE
- ⑤ CONTROL HANDLE SET SCREW
- ⑥ ALLEN WRENCH
- ⑦ SET SCREW CAP



- 1 SHOWER ARM ESCUTCHEON
- 2 SHOWER ARM
- 3 SHOWER HEAD