

artos[®]

TS161

INSTALLATION GUIDE

trova shower set round

BRUSHED NICKEL (BN)



CHROME (CH)



BLACK (BK)



SATIN BRASS (SB)



artos[®]

TS161

trova shower set round

OPERATING SPECIFICATIONS



MIXED WATER TEMPERATURE

Maximum: 120°F

INCLUDES

Multi-Function Shower Head & Arm
Valve-Trim

OPERATING PRESSURE

Minimum: 20 psi

Maximum: 125 psi

Recommended: 30psi - 95psi

Operating pressures (on hot and cold lines) should be kept as balanced as possible, in order to assure the maximum efficiency.

HOT WATER SUPPLY TEMPERATURE

Maximum: 185°F

Minimum: 50°F

Advisable: 150°F - 160°F

Minimum difference between hot mixed temperature 50°F

FLOW CAPACITY

Shower Head: 1.8 USGPM

STANDARDS

ASSE 1016-2011 | ASME_A112.1016-2011 | CSA B125:16-11



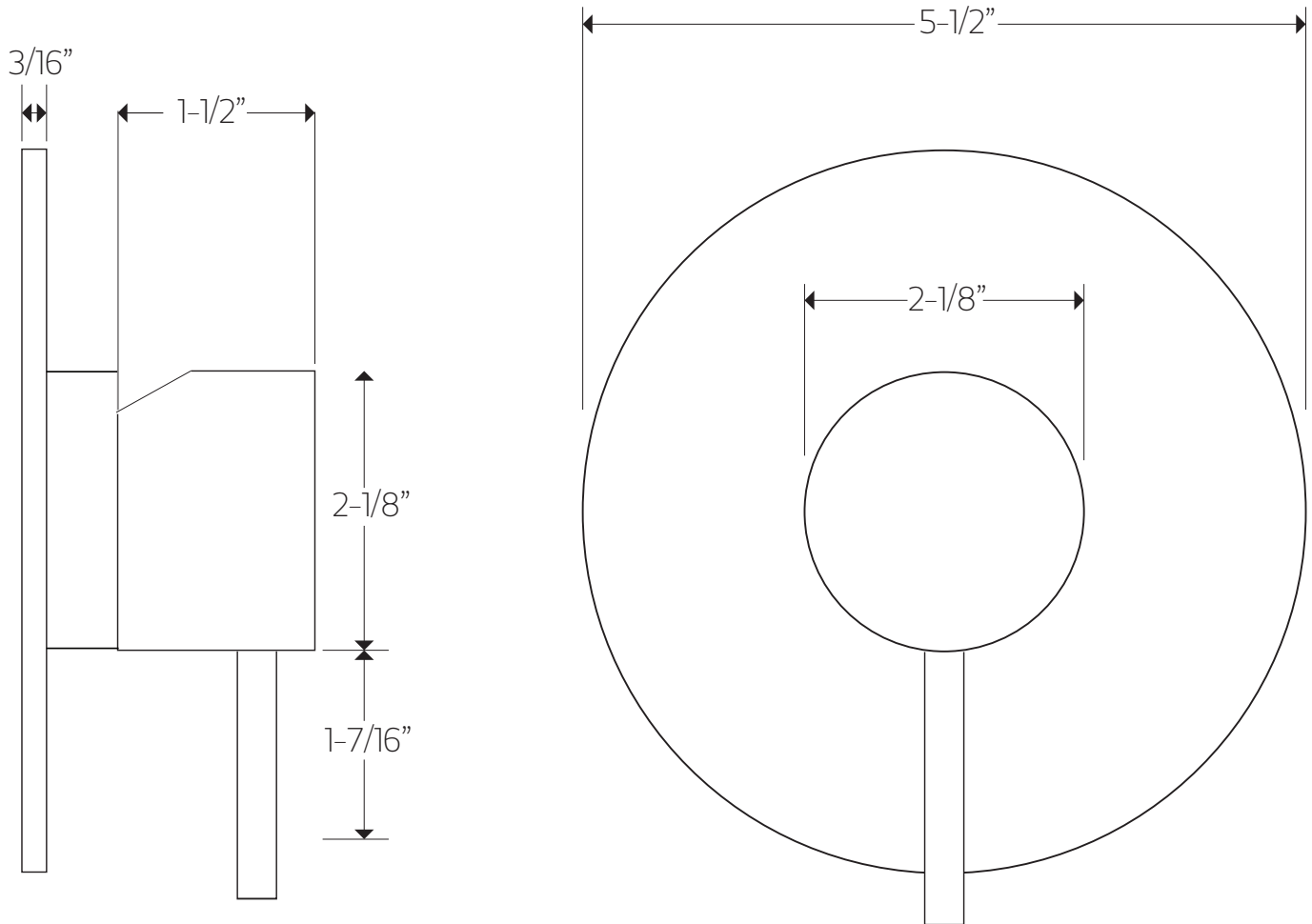
artos[®]

TS161

PRODUCT SPECIFICATIONS

trova shower set

for trim kit



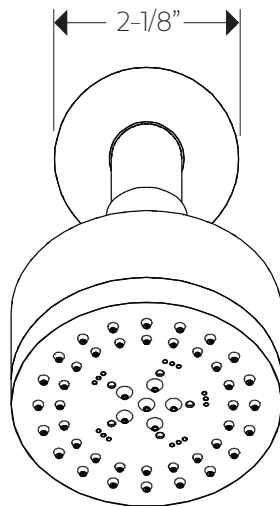
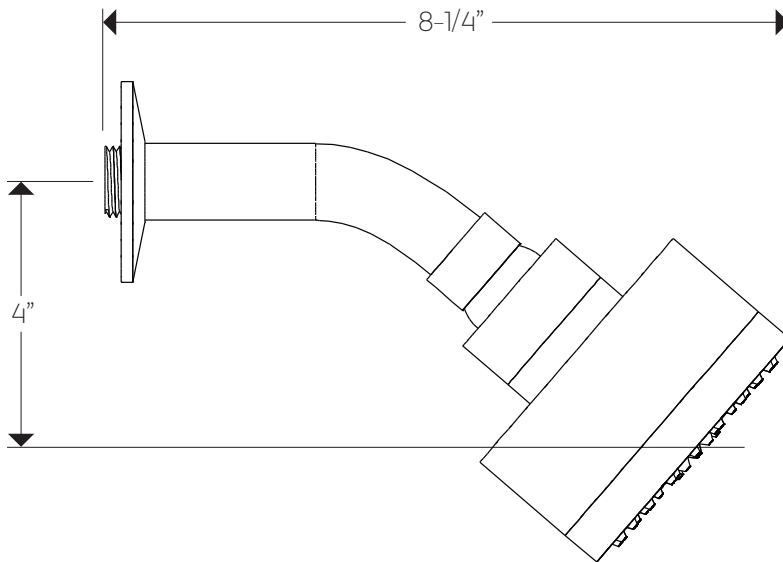
artos[®]

TS161

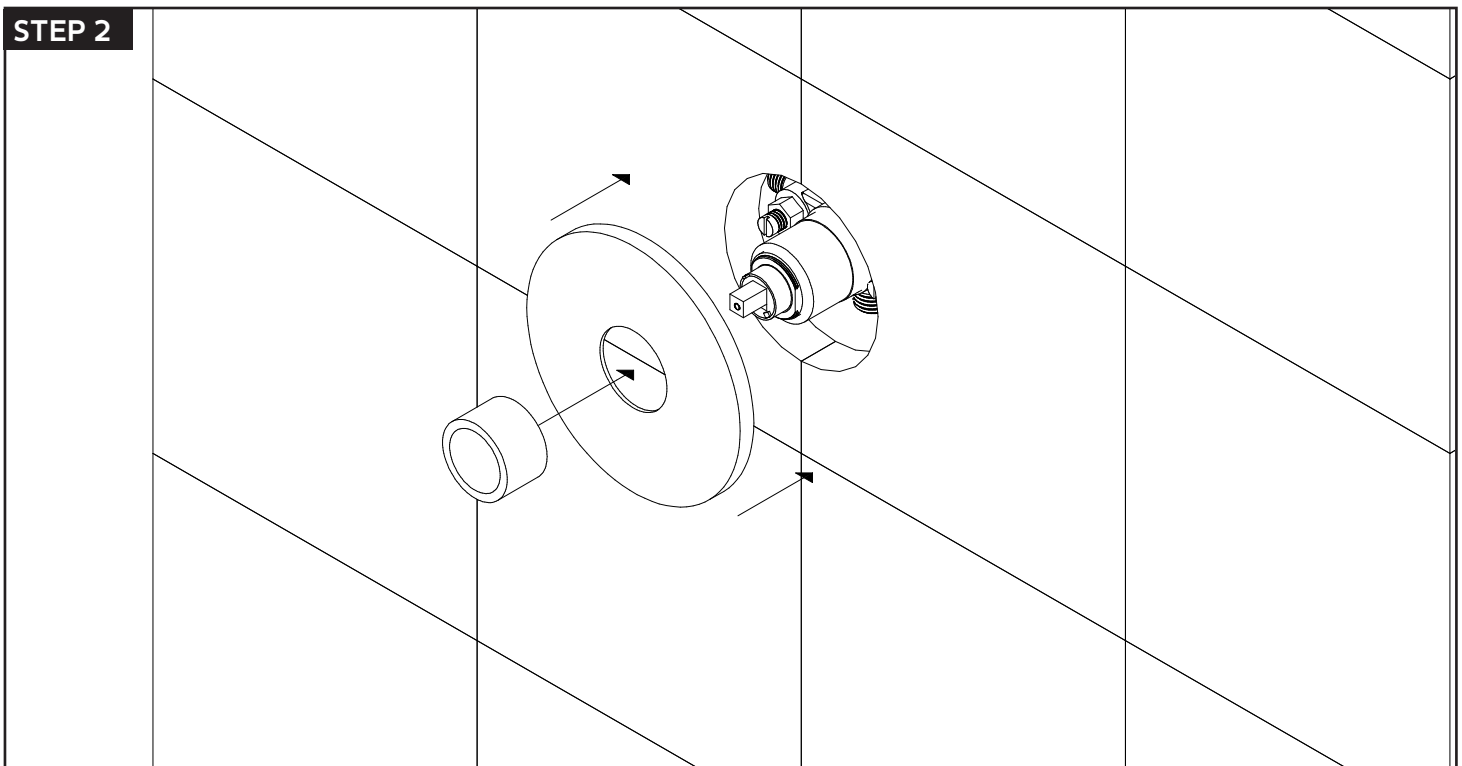
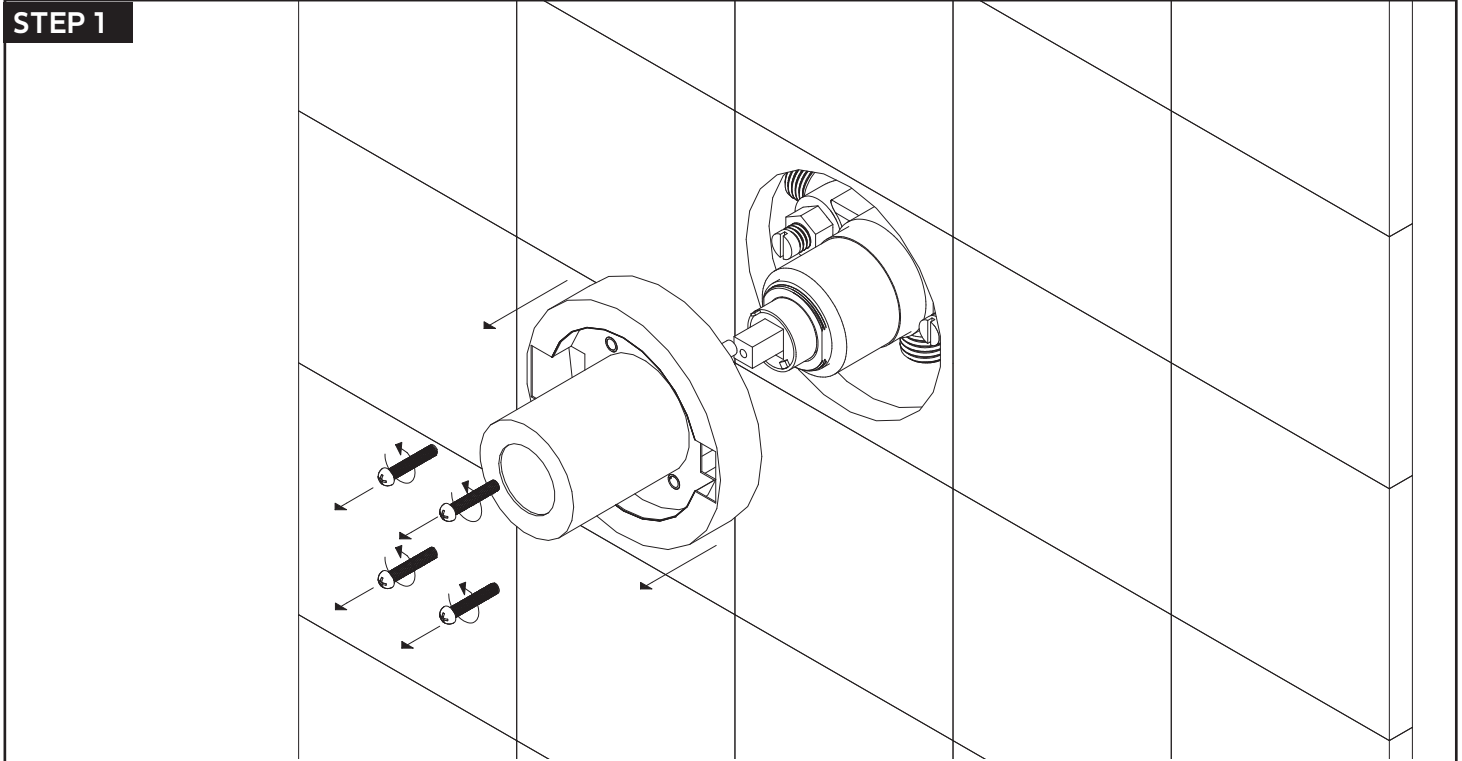
trova shower set round

PRODUCT DIMENSIONS

for shower head

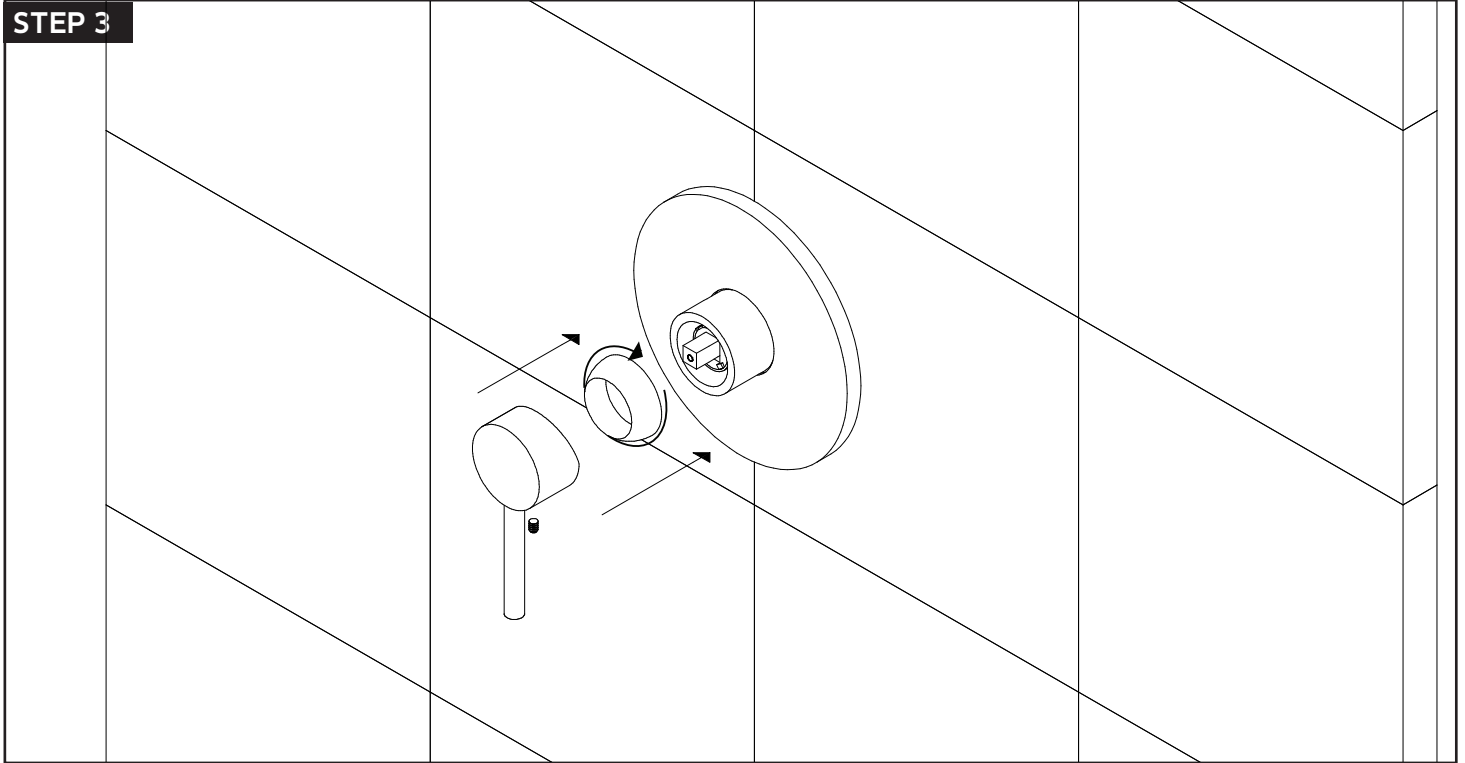


valve trim

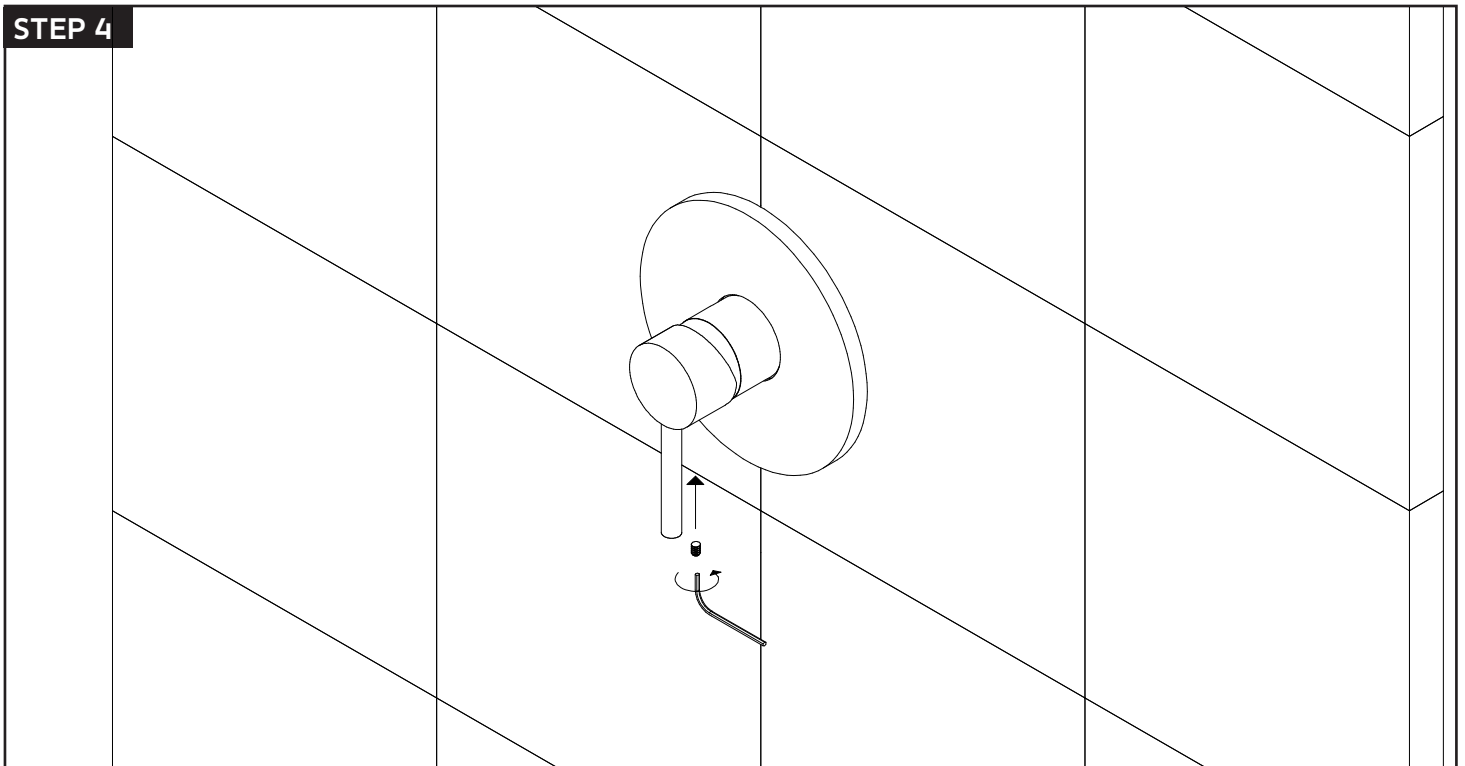


valve trim

STEP 3

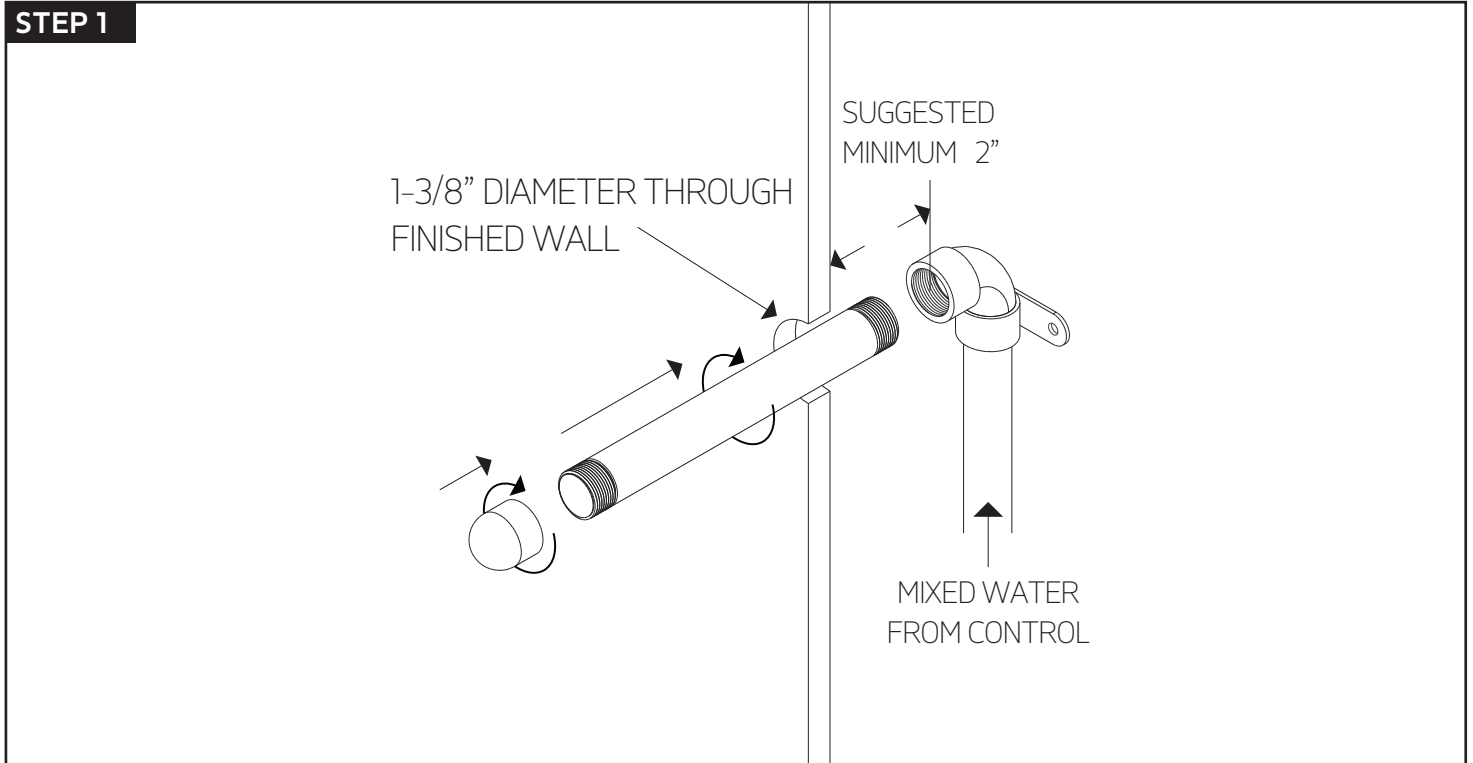


STEP 4

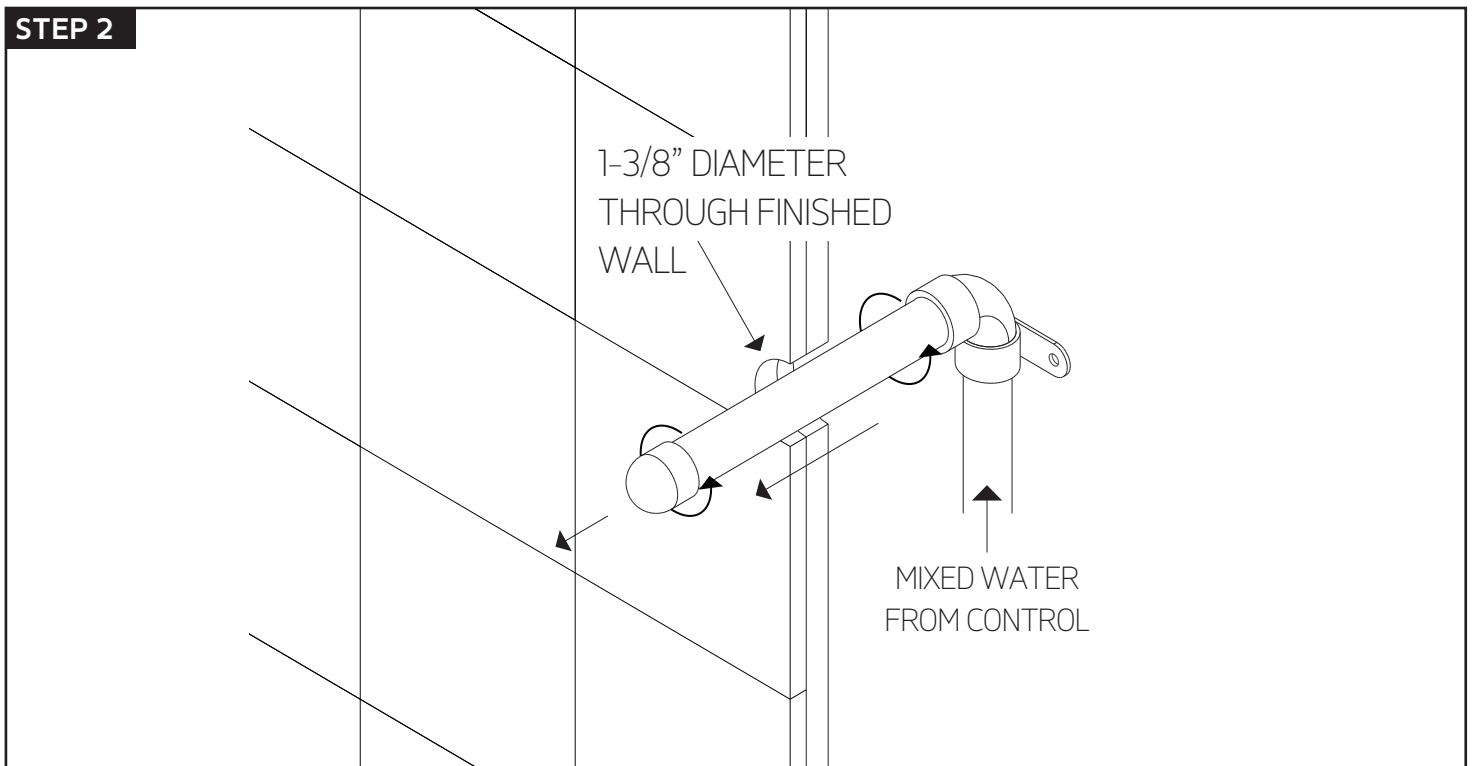


shower head

STEP 1



STEP 2

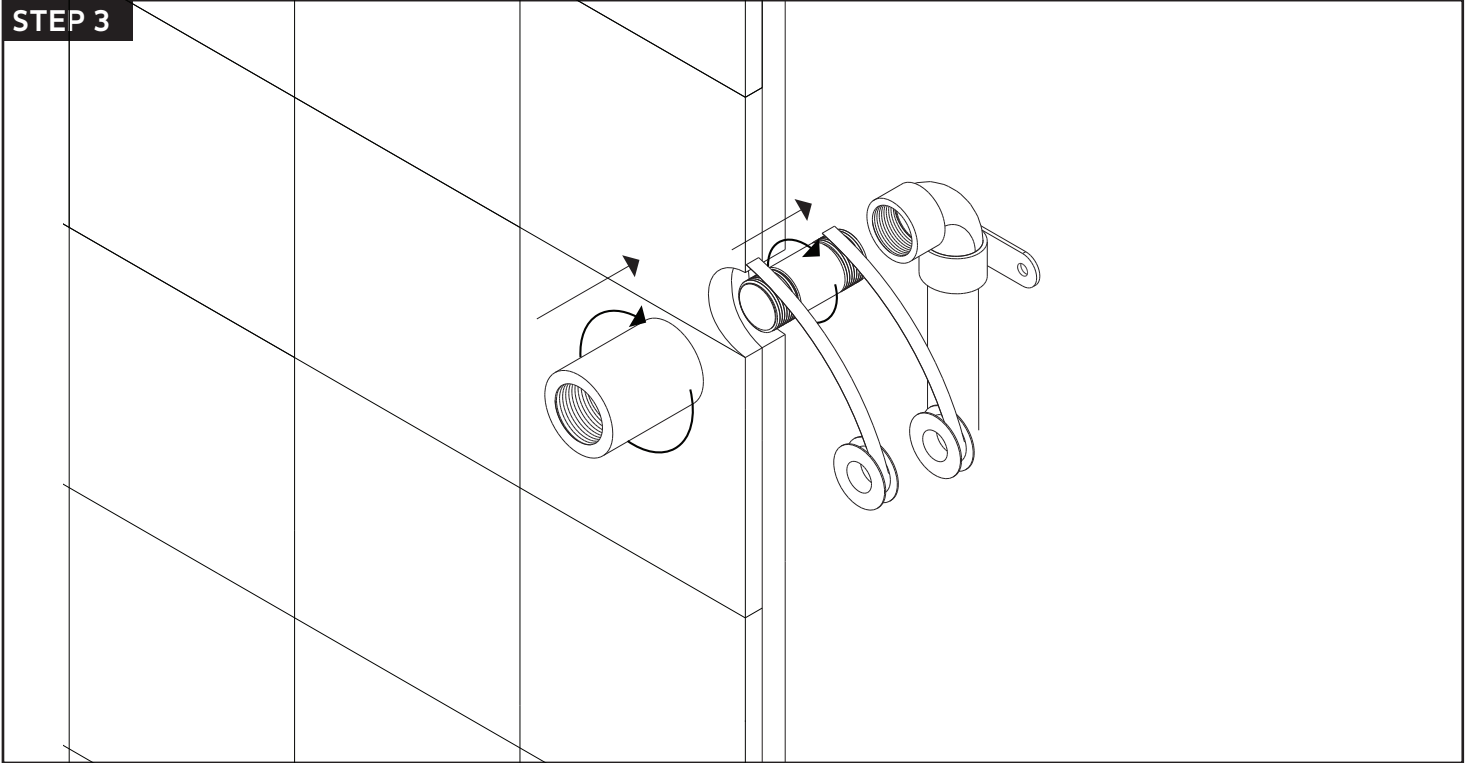


artos[®]

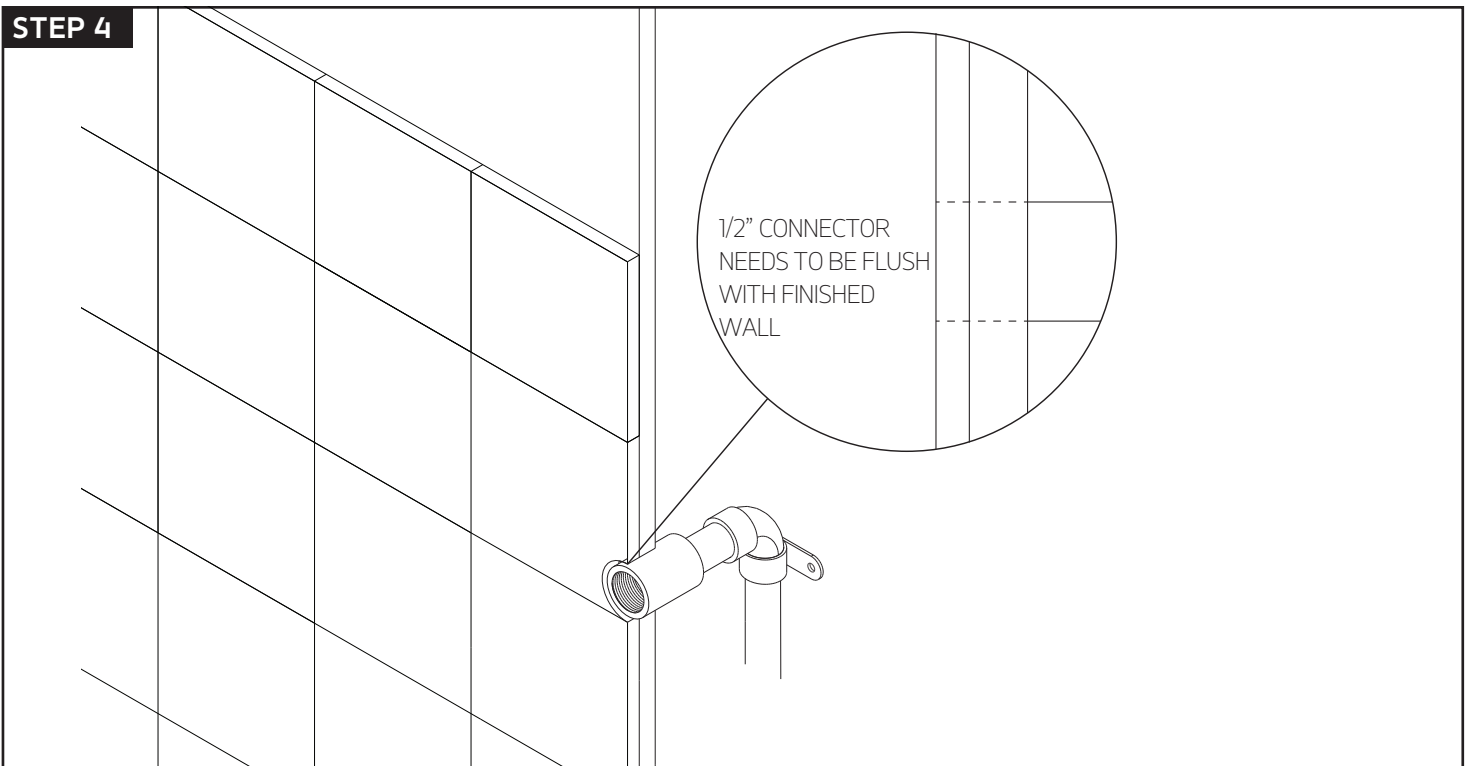
TS161

shower head

STEP 3

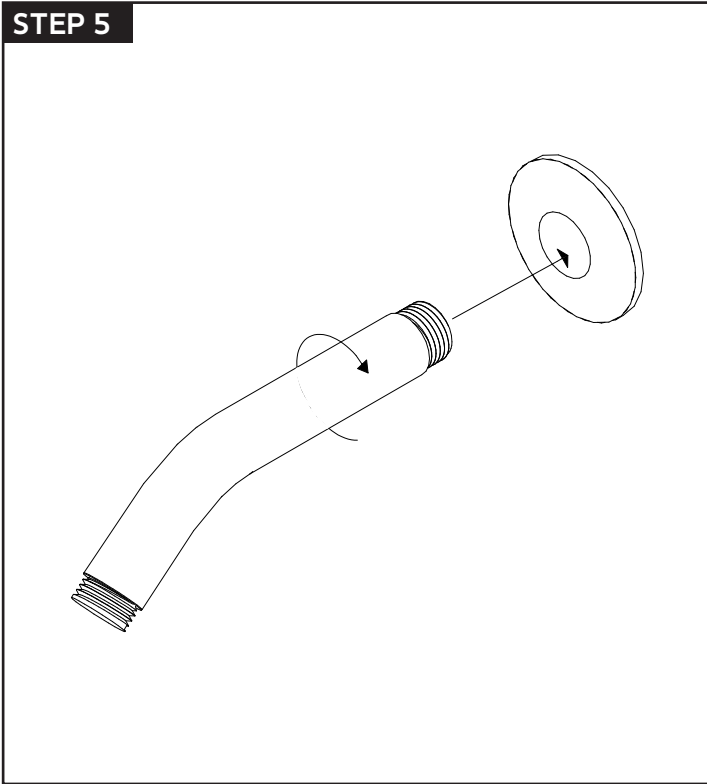


STEP 4

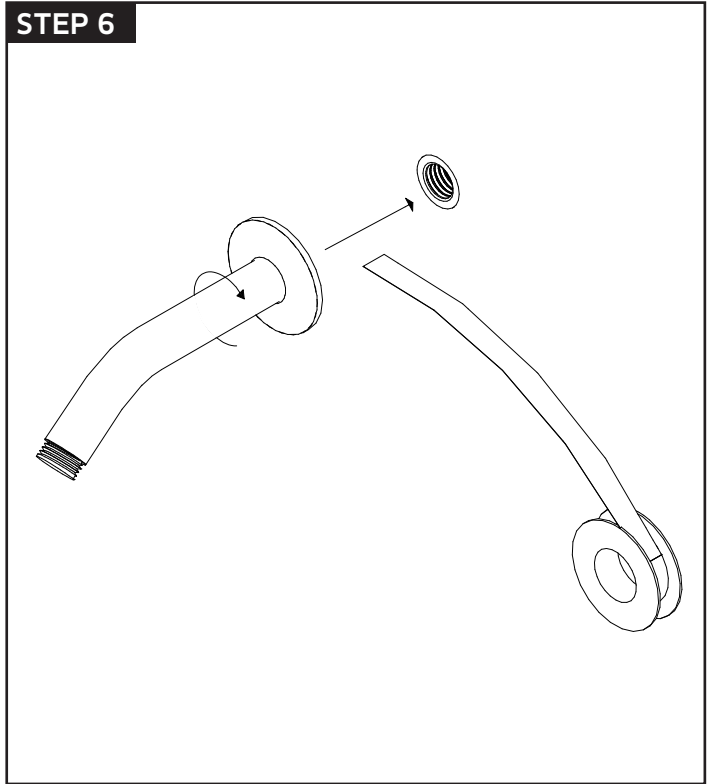


INSTALLATION STEPS

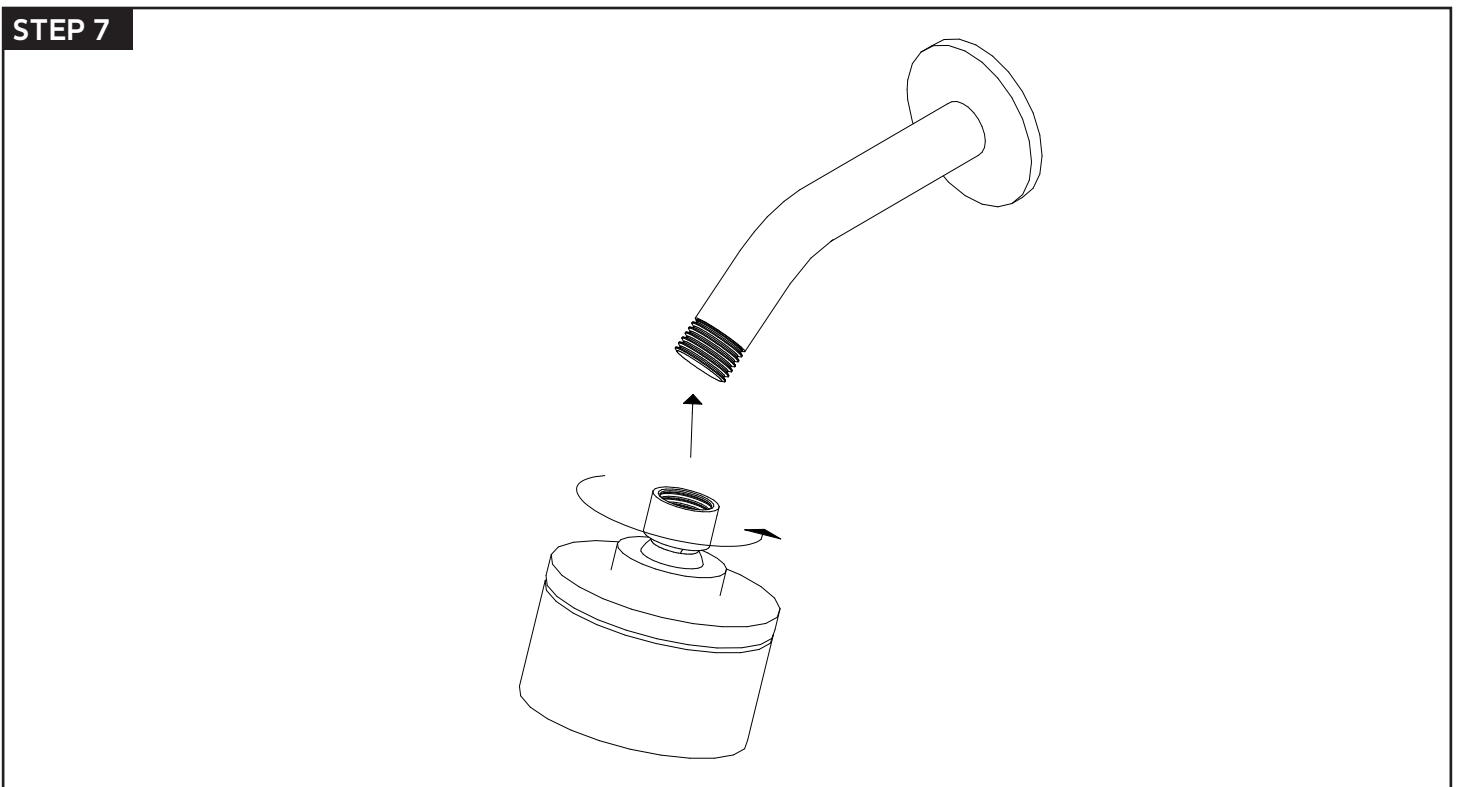
STEP 5



STEP 6



STEP 7

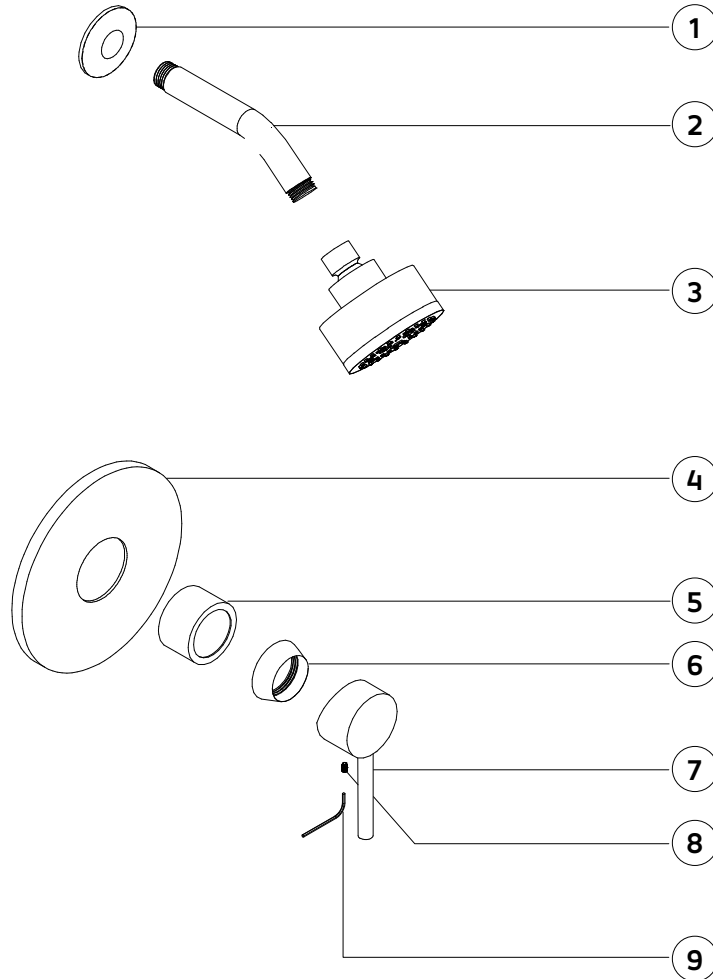


artos[®]

TS161

trova shower set round

PARTS BREAKDOWN



- 1 SHOWER ARM ESCUTCHEON
- 2 SHOWER ARM
- 3 SHOWER HEAD
- 4 TRIM KIT ESCUTCHEON
- 5 SLEEVE
- 6 BEVEL
- 7 HANDLE
- 8 SET SCREW
- 9 ALLEN WRENCH