

# artos<sup>®</sup>

TS083V05

## OPERATING SPECIFICATIONS

trova shower set



### FEATURES

Solid Brass

### OPERATING PRESSURE

Minimum: 15 psi

Maximum: 75 psi

Above 90psi it may be necessary to install a pressure reducer

### OPERATING TEMPERATURE

Maximum: 176°

### FLOW CAPACITY

Shower Head: 1.8 USGPM

Hand Shower: 1.8 USGPM

Tub Filler: 6.1 USGPM

### APPROVAL



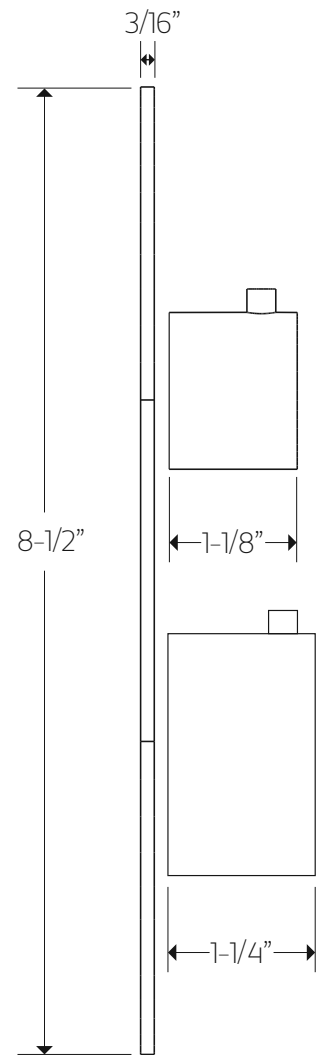
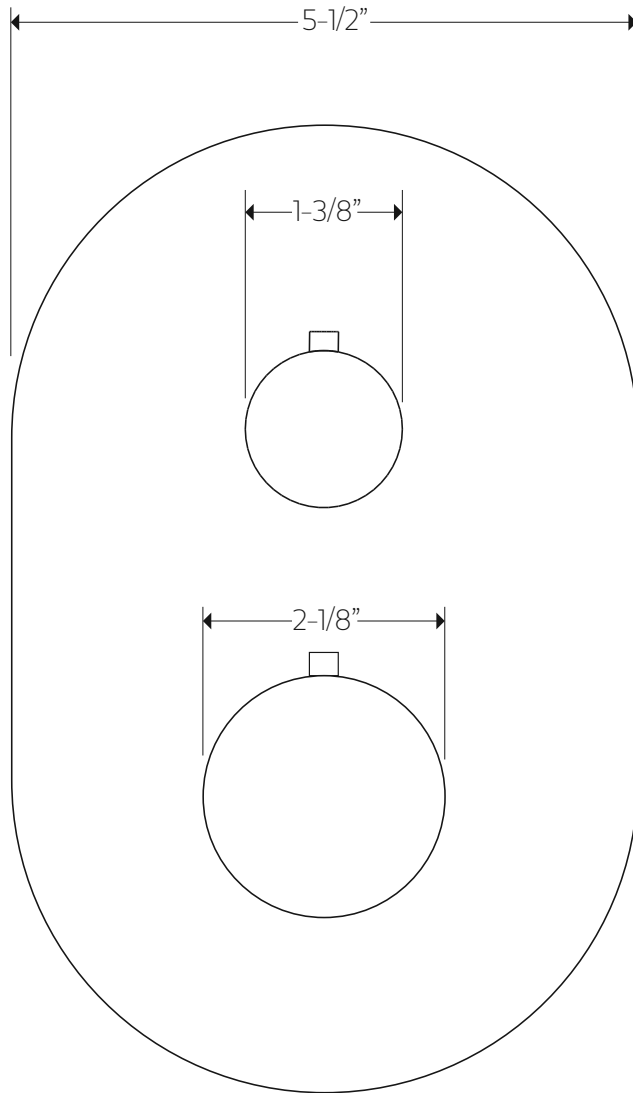
# artos<sup>®</sup>

TS083V05

## PRODUCT DIMENSIONS

trova shower set

for shower control trim



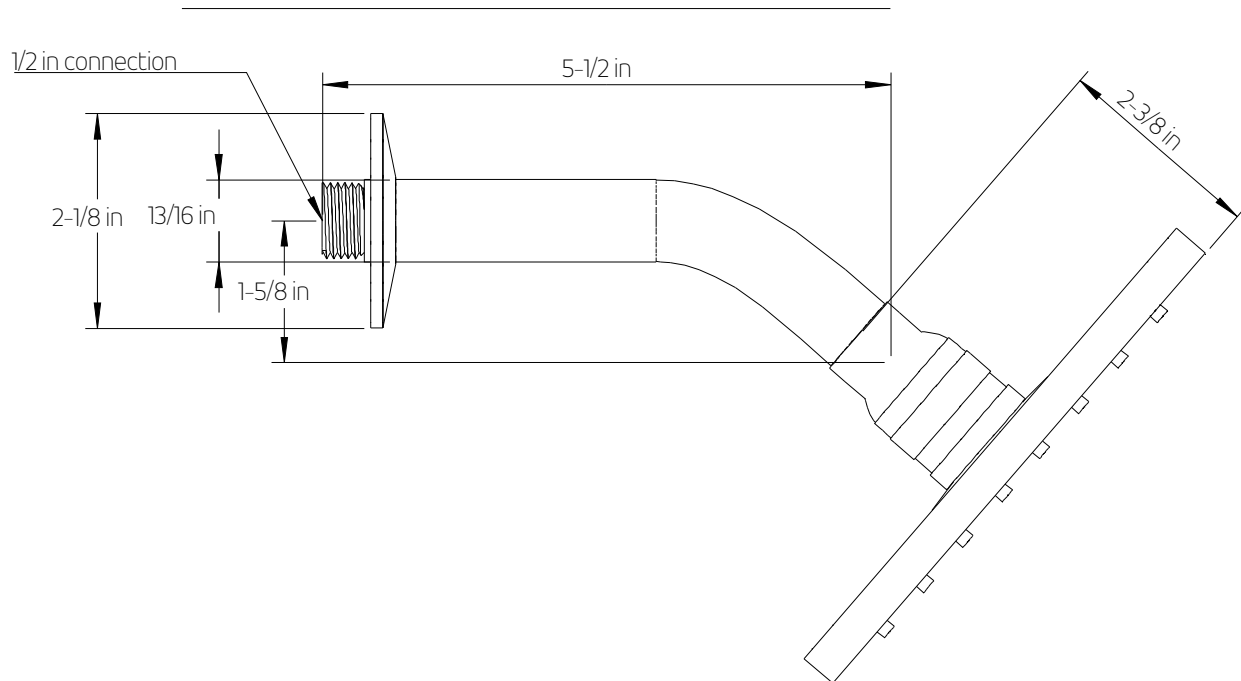
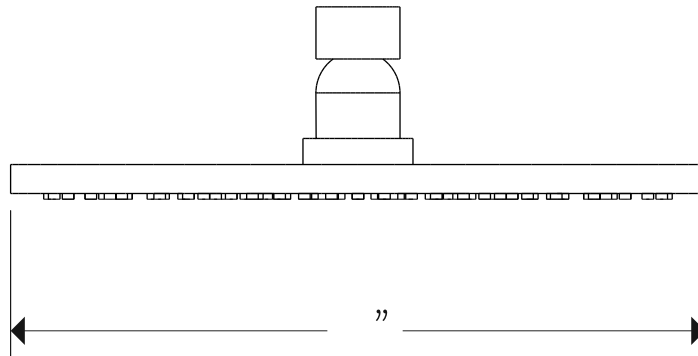
# artos<sup>®</sup>

TS083V05

## PRODUCT DIMENSIONS

trova shower set

for shower head



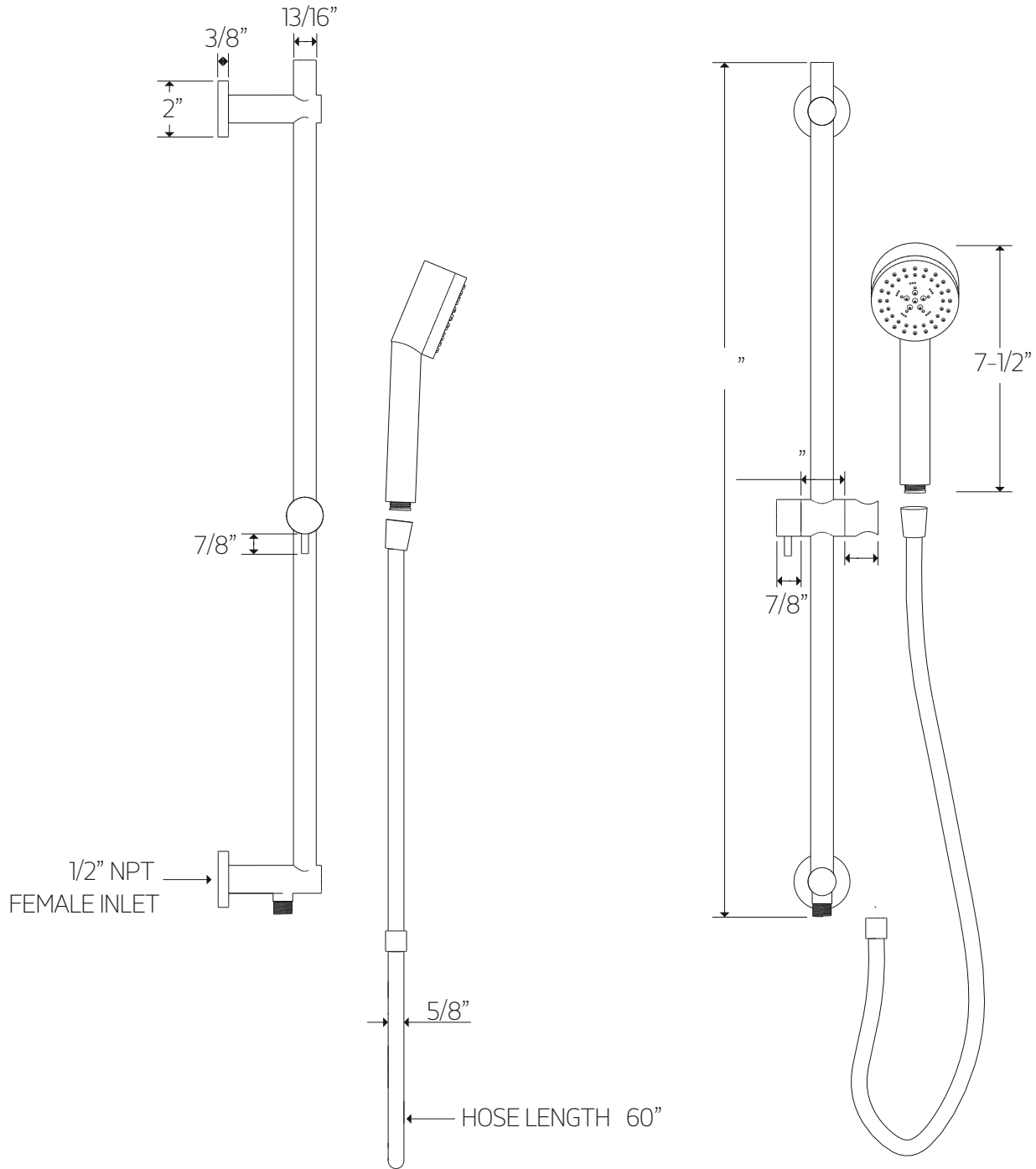
# artos<sup>®</sup>

TS083V05

## PRODUCT DIMENSIONS

trova shower set

for hand shower



# artos<sup>®</sup>

TS083V05

## PRODUCT DIMENSIONS

trova shower set

for tub filler

